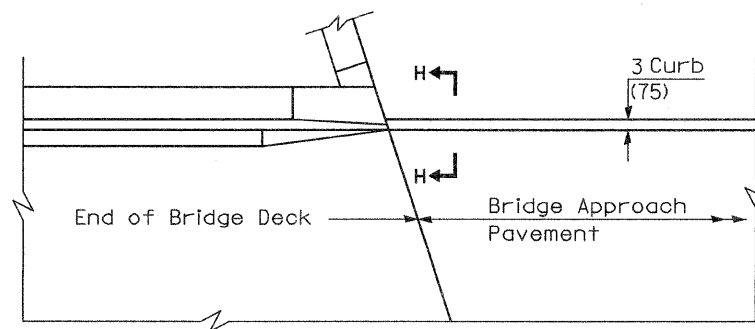
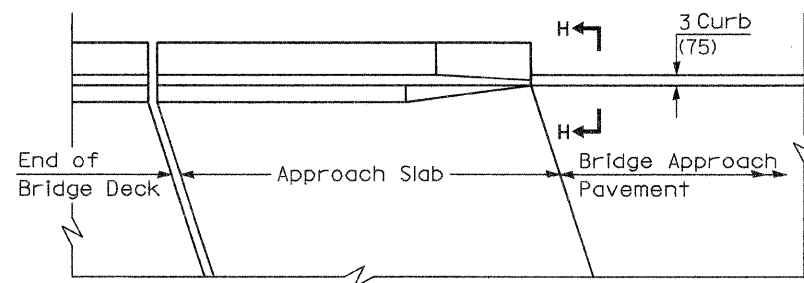


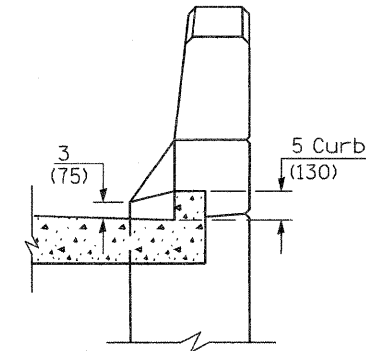
**PARAPET TO CURB TRANSITION
PILE BENT ABUTMENT**



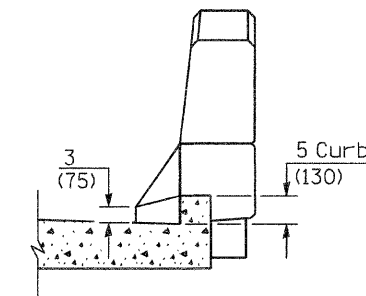
**PARAPET TO CURB TRANSITION
INTEGRAL ABUTMENT**



**PARAPET TO CURB TRANSITION
VAULTED ABUTMENT**



SECTION I - I



SECTION H - H

Illinois Department of Transportation
 APPROVED January 1, 2008
Ralph E. Anderson
 ENGINEER OF BRIDGES AND STRUCTURES
 APPROVED January 1, 2008
Ken E. Khan
 ENGINEER OF DESIGN AND ENVIRONMENT
 ISSUED 1-1-97

BRIDGE APPROACH PAVEMENT

(Sheet 4 of 4)

Contract 98533 Sheet 33D.