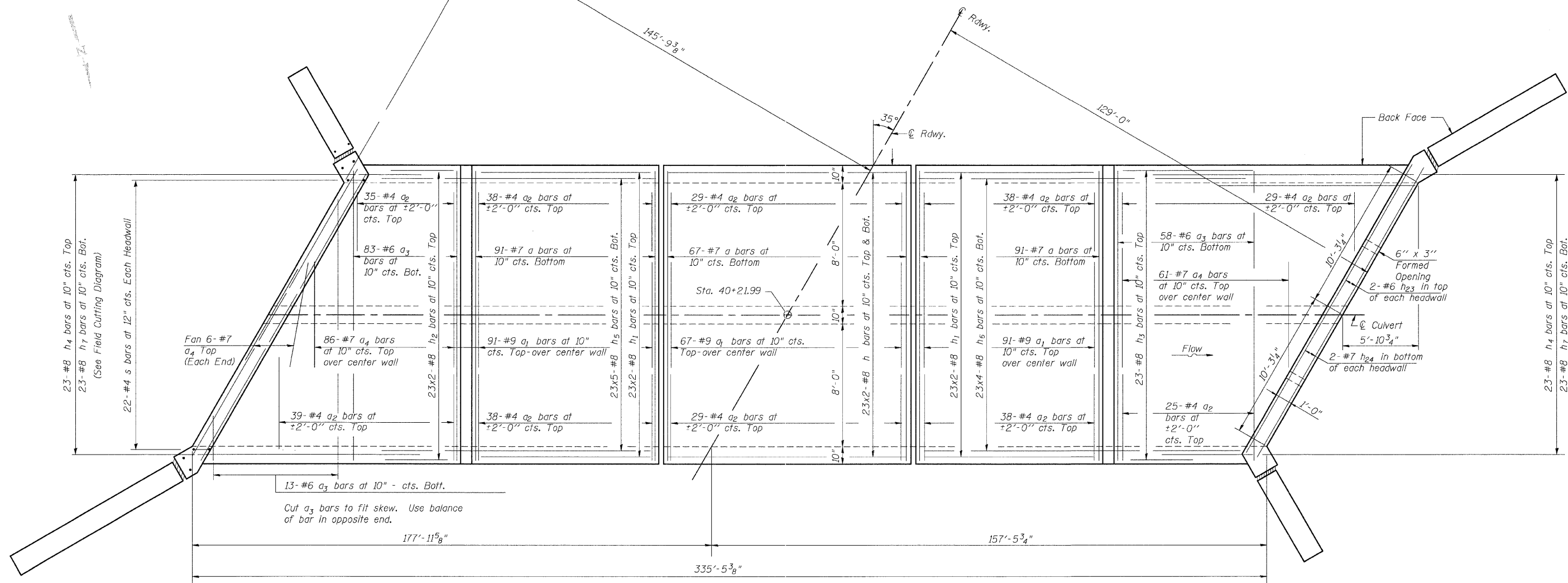


STATE OF ILLINOIS  
DEPARTMENT OF TRANSPORTATION

ROUTE NO. F.A.U. 8959	SECTION 05- 00016- 03-BR	COUNTY MADISON	SHEET 129	84	SHEET NO. 3 5 SHEETS
FED. ROAD DIST. NO. 7		ILLINOIS	FED. AID PROJECT-		

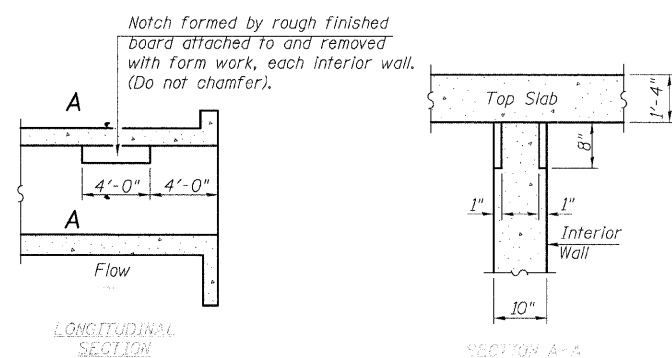
Contract # 97351



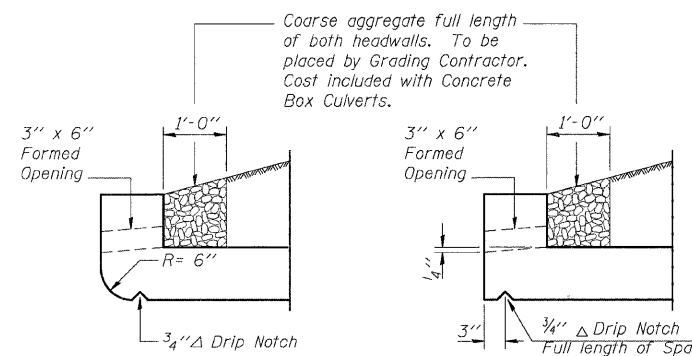
TOP SLAB PLAN

MINIMUM BAR LAP

(Barrel)	
#4 bar	= 1'-4"
#5 bar	= 1'-8"
#6 bar	= 2'-0"
#7 bar	= 2'-9"
#8 bar	= 3'-8"
#9 bar	= 4'-7"




PHOEBE NESTING  
SITE DETAILS  
(Downstream End Only)



AT UPSTREAM END AT DOWNSTREAM END

DRAIN DETAIL

DESIGNED	C.M.W.
CHECKED	J.S.A.
DRAWN	B.D.M.
CHECKED	C.M.W.



**Hoelscher Engineering, P.C.**  
11 Executive Drive Suite 12  
Fairview Heights, Illinois 62208  
(618)624-8610 FAX: (618)624-8611

REVISIONS	
NAME	DATE

ILLINOIS DEPARTMENT OF TRANSPORTATION  
CULVERT TOP SLAB PLAN  
WEST CORBIN STREET OVER WOOD RIVER TRIBUTARY  
F.A.P. 310 SECTION 05-00016-03-BR  
MADISON COUNTY  
STATION 40+21.99  
S.N.060-6853