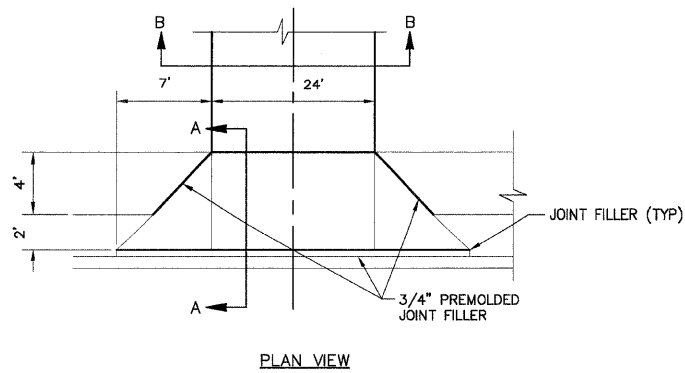
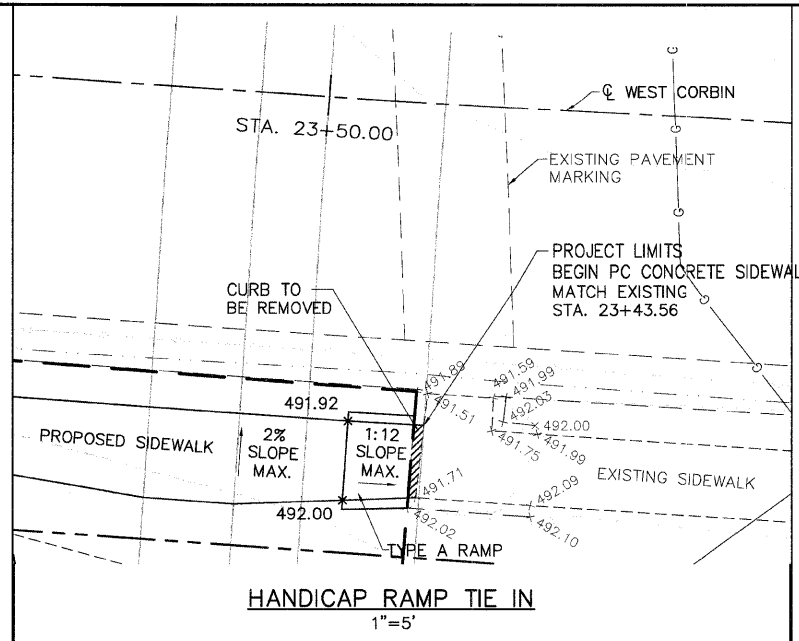


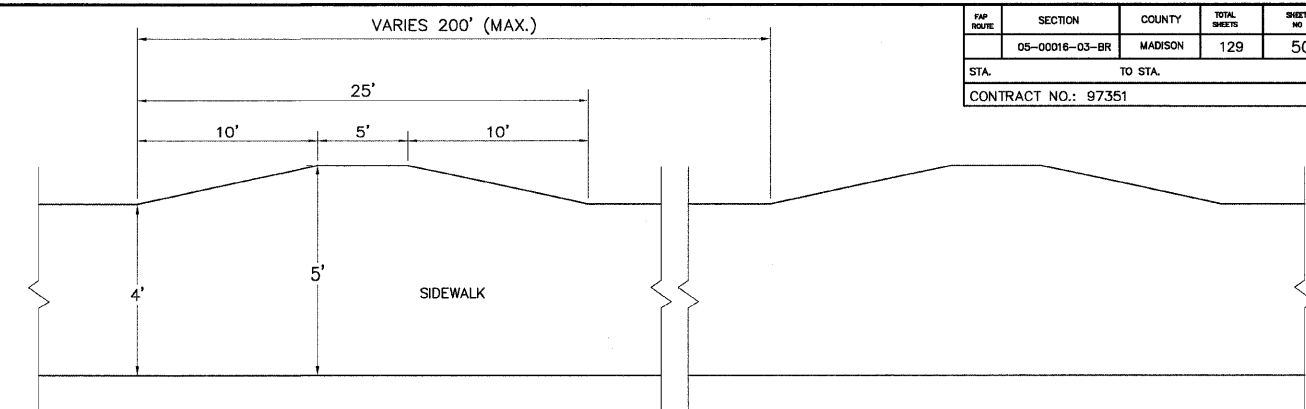
FAU ROUTE	SECTION	COUNTY	TOTAL SHEETS	SHEET NO
	05-00016-03-BR	MADISON	129	50
STA.		TO STA.		
CONTRACT NO.: 97351				



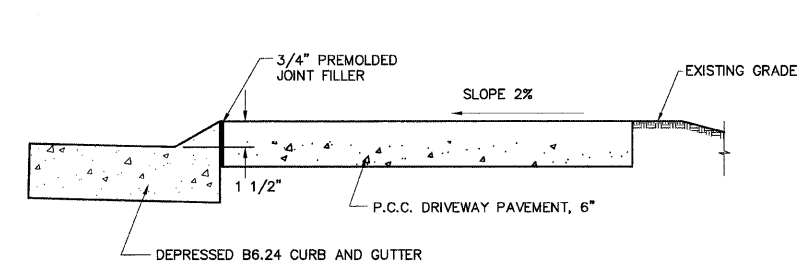
PLAN VIEW



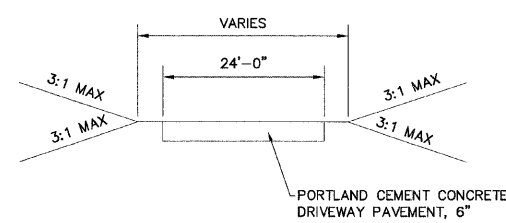
HANDICAP RAMP TIE IN  
1"=5'



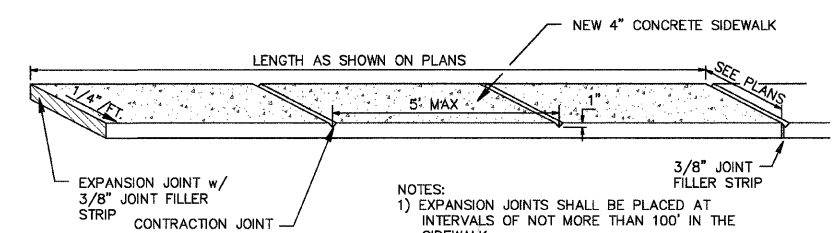
SIDEWALK PASSING LANE  
DETAIL  
NOT TO SCALE



SECTION A-A

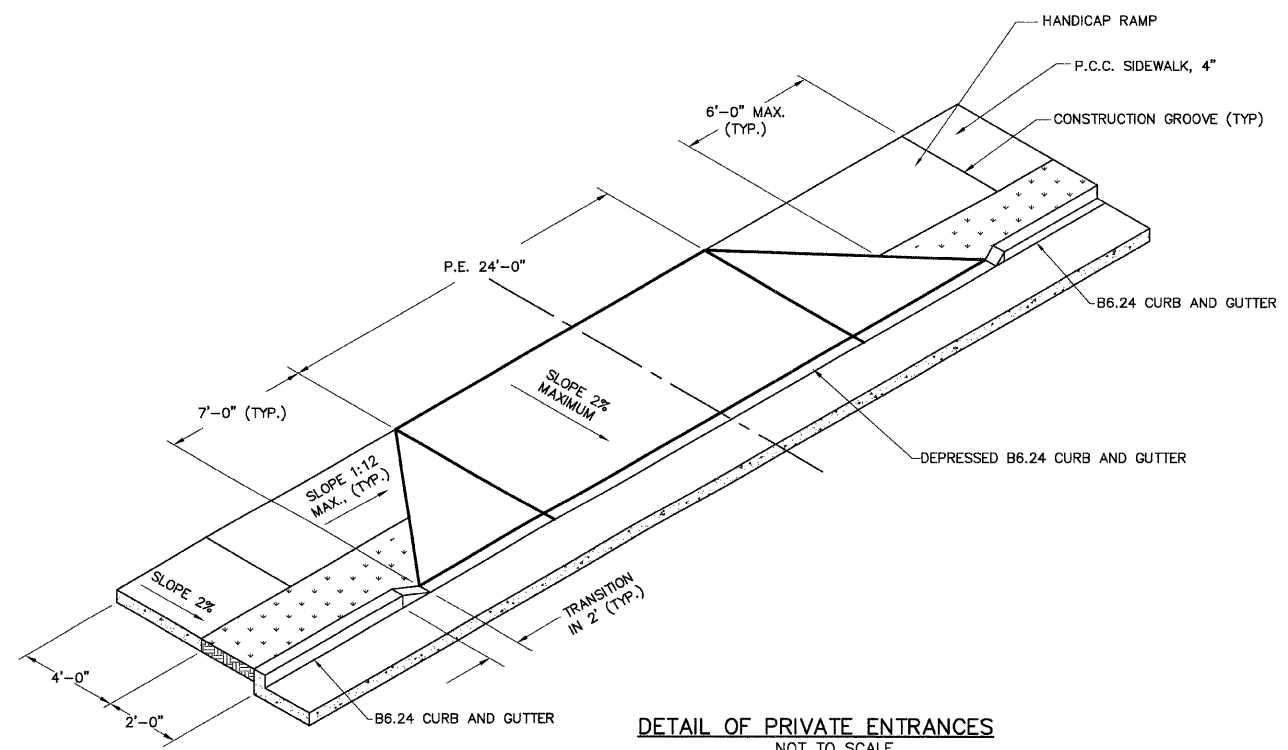


SECTION B-B

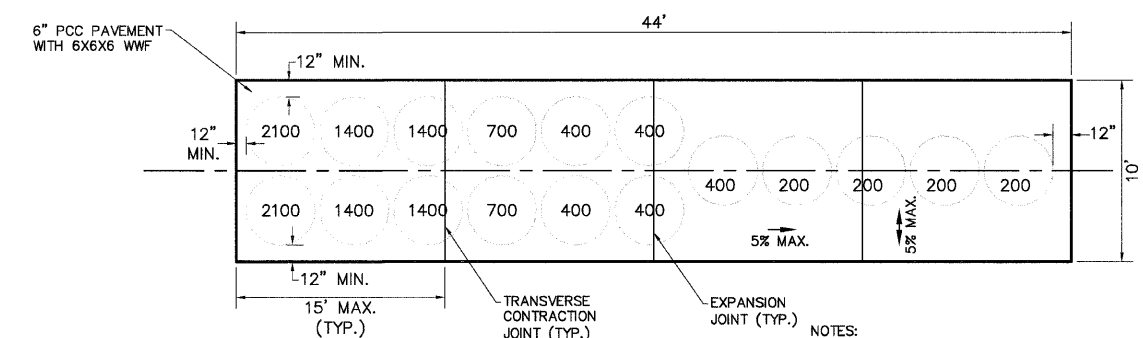


- NOTES:
- 1) EXPANSION JOINTS SHALL BE PLACED AT INTERVALS OF NOT MORE THAN 100' IN THE SIDEWALK.
  - 2) EXPANSION MATERIAL TO BE EITHER RECESSED OR ROUTED OUT TO PROVIDE RESERVOIR FOR SEALER.
  - 3) JOINT FILLER SHALL BE GRAY AND ACCORDING TO SECTION 1050 OF THE STANDARD SPECIFICATIONS.

PC CONCRETE SIDEWALK DETAIL  
NOT TO SCALE



DETAIL OF PRIVATE ENTRANCES  
NOT TO SCALE



- NOTES:
1. AN EXPANSION JOINT SHALL BE PLACED IN MIDDLE OF THE CONCRETE PAD.
  2. EXPANSION MATERIAL TO BE EITHER RECESSED OR ROUTED OUT TO PROVIDE RESERVOIR FOR SEALER.
  3. JOINT FILLER SHALL BE GRAY AND ACCORDING TO SECTION 1050 OF THE STANDARD SPECIFICATIONS.
  4. IMPACT ATTENUATORS SHALL BE TEST LEVEL 3 AS DESCRIBED IN THE SPECIAL PROVISIONS.

CONCRETE PAD AND IMPACT  
ATTENUATORS DETAIL  
NOT TO SCALE

REVISIONS	
NAME	DATE

ILLINOIS DEPARTMENT OF TRANSPORTATION

MISCELLANEOUS  
DETAILS

FAU ROUTE 8959  
SECTION 05-00016-03-BR  
COUNTY MADISON

DRAWN BY: R.A.W.