

F.A.P. RTE.	SECTION	COUNTY	TOTAL SHEETS	SHEET NO.
781	1YRS, 2ZRS-1	CRAWFORD	378	198
STA.		TO STA.		
FED. ROAD DIST. NO.		ILLINOIS FED. AID PROJECT		

DIMENSIONS & BAR LIST

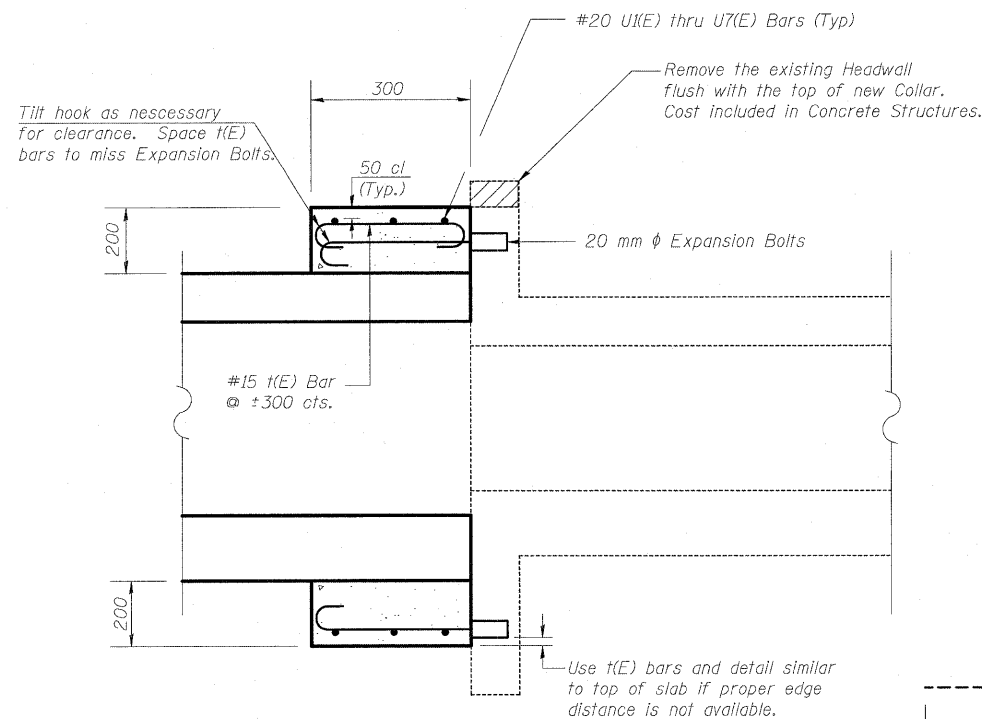
Box Culvert No.	S* (mm)	R* (mm)	Expansion Bolts				U(E) thru U7(E) Bars			v(E) Bars		
			Top Slab	Bottom Slab	Each Wall	Total	Designation	A*(m)	B*(m)	No. Req'd	Top Slab	v bars
1	1500	1175**	3	3	3	21	U1(E)	1.40	0.94	9	6	6
4	1200	1325	3	3	3	24	U2(E)	1.10	1.01	12	5	
8	3900	2550	8	8	5	52	U3(E)	3.80	1.62	12	14	
10	1200	1050	3	3	2	20	U4(E)	1.10	0.87	12	5	
11	1500	1325**	3	3	3	21	U5(E)	1.40	1.01	9	6	6
15	1200	1175	3	3	3	24	U6(E)	1.10	0.94	12	5	
16	1500	1050	3	3	2	20	U7(E)	1.40	0.87	12	6	
17	1200	1325	3	3	3	24	U2(E)	1.10	1.01	12	5	

* Contractor to verify dimension based on actual culvert size provided by fabricator.

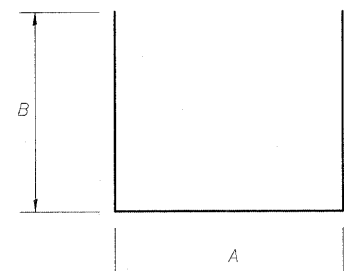
** Modify this dimension to accommodate the steel plate. (See Sheet S18 of 19)

BAR DETAILS

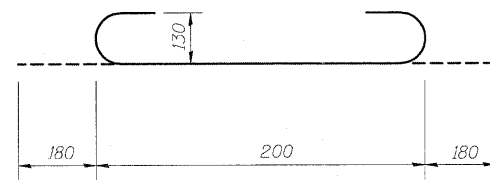
Bar	No.	Size	Length (m)	Shape
v(E)	52	#15	0.56	—
U1(E)	9	#20	3.28	┌┐
U2(E)	24	#20	3.12	┌┐
U3(E)	12	#20	7.04	┌┐
U4(E)	12	#20	2.84	┌┐
U5(E)	9	#20	3.42	┌┐
U6(E)	12	#20	2.98	┌┐
U7(E)	12	#20	3.14	┌┐



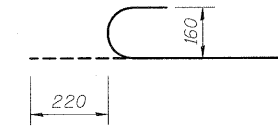
LONGITUDINAL SECTION



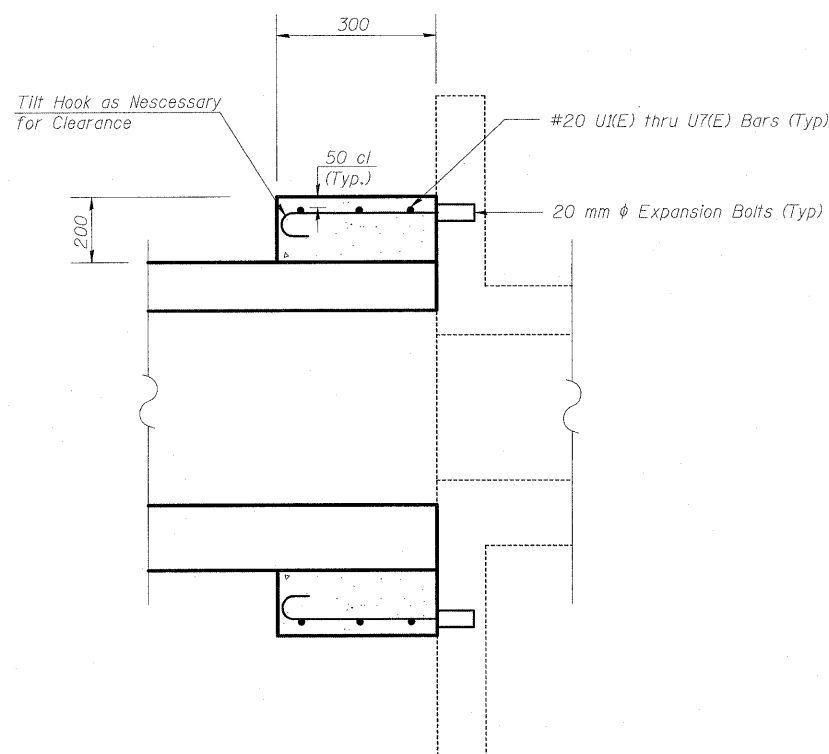
U(E) THRU U7(E) BARS



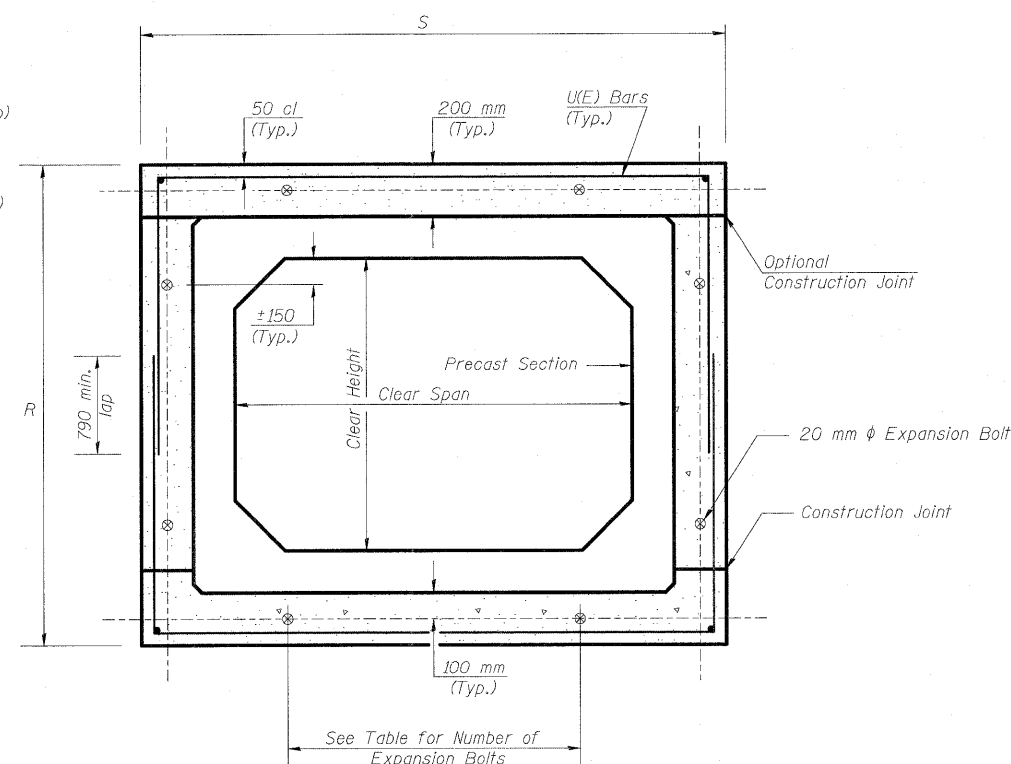
v(E) BAR



EXPANSION BOLT HOOK

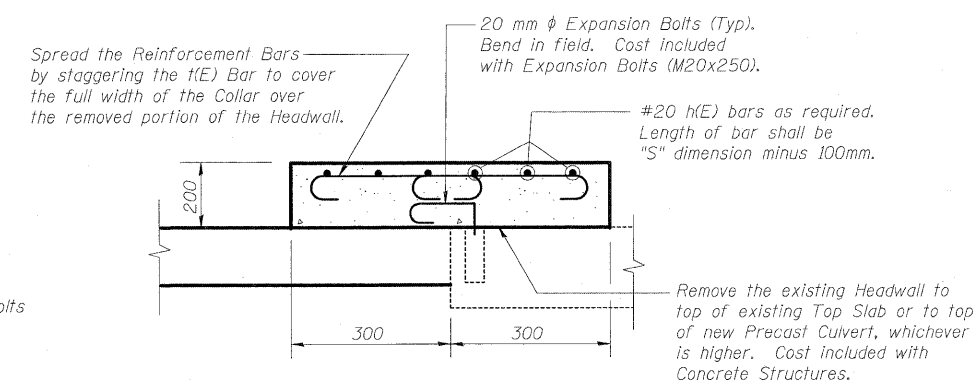


PLAN



CROSS SECTION THRU BARREL

See Sheet S18 of 19 when Steel Plate is required.



ALTERNATE FOR TOP COLLAR

If the Headwall is spalled or has unsound concrete, remove the Headwall flush with Top Slab and extend the top portion of new Collar to cover the area of Headwall. Anchor the top portion of Collar to Top Slab of Existing Culvert.

REVISIONS		ILLINOIS DEPARTMENT OF TRANSPORTATION BOX CULVERT EXTENSIONS CAST-IN-PLACE COLLAR DETAILS
NAME	DATE	

SCALE NONE DRAWN BY MLB
DATE DECEMBER 10, 2006 CHECKED BY MTH