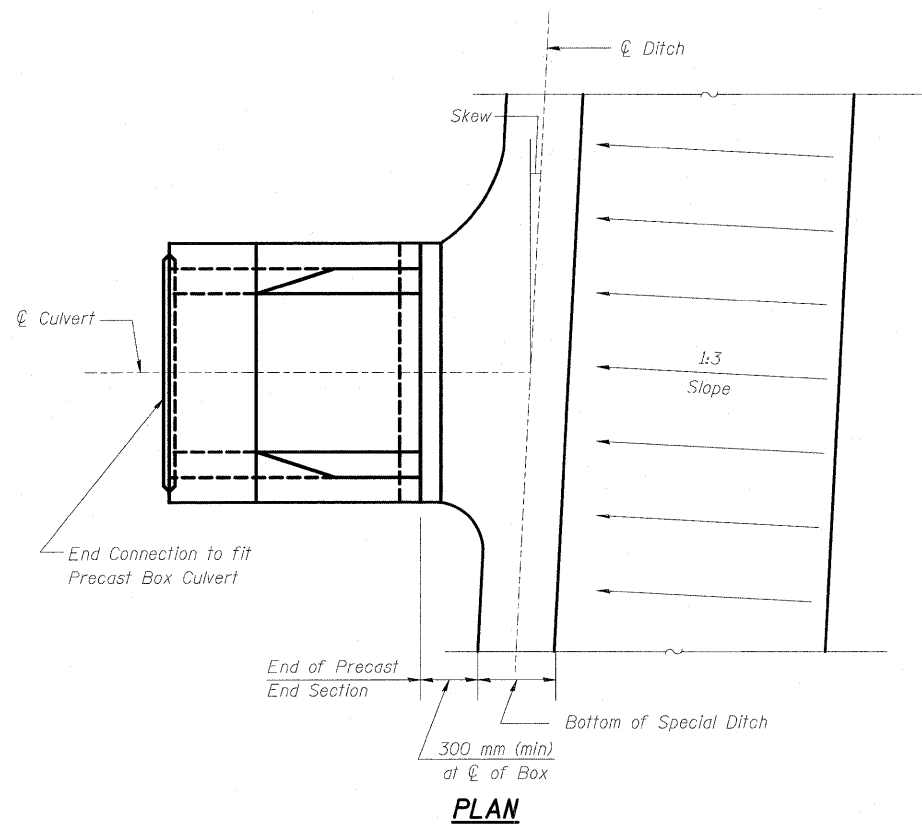
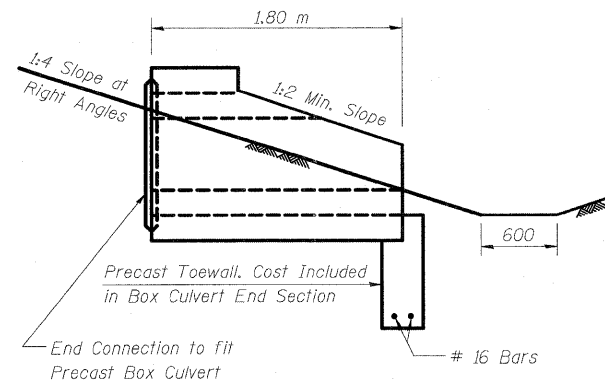


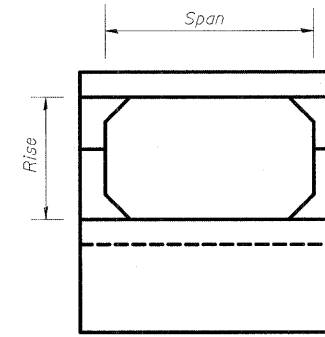
F.A.P. RTE.	SECTION	COUNTY	TOTAL SHEETS	SHEET NO.
781	1YRS, 2ZRS-1	CRAWFORD	378	197
STA.		TO STA.		
FED. ROAD DIST. NO.		ILLINOIS	FED. AID PROJECT	



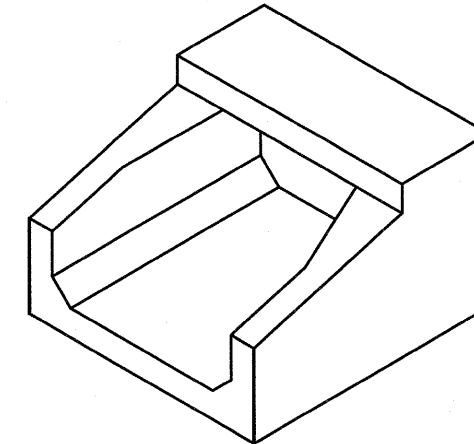
**PLAN**



**SIDE VIEW**



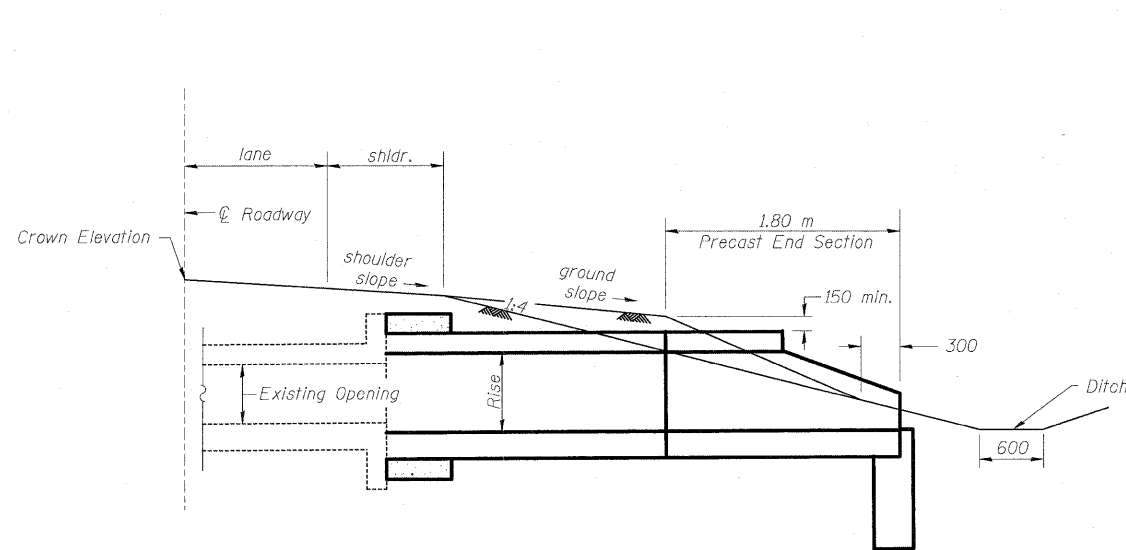
**END VIEW**



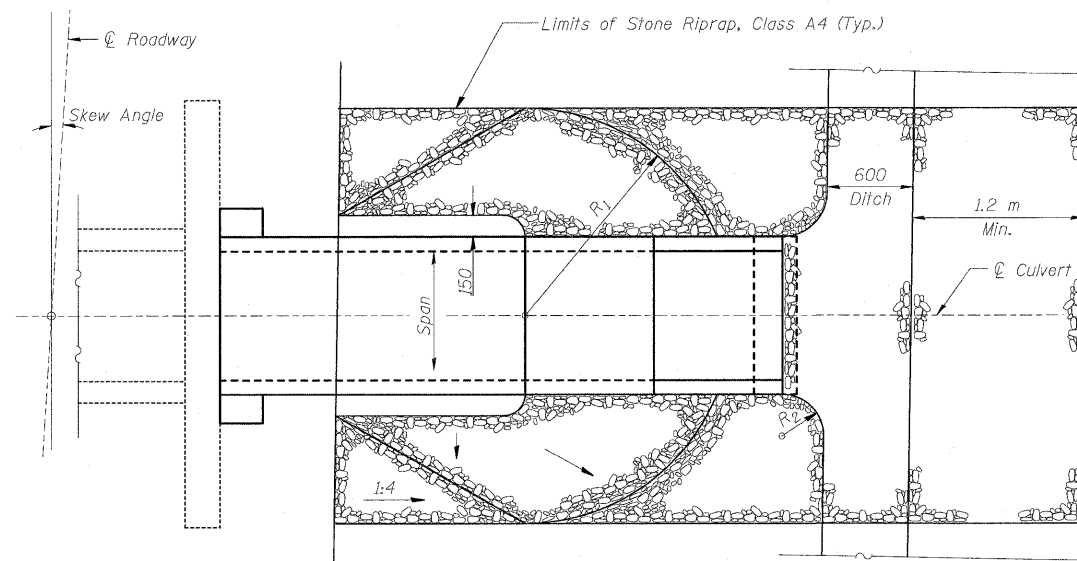
**ISOMETRIC VIEW**

**PRECAST CONCRETE BOX CULVERT END SECTION DETAILS**

Box Culvert No.	Span	Rise
1	900	450
4	600	600
8	3000	1650
10	600	450
11	900	600
15	600	450
16	900	450
17	600	600



**LONGITUDINAL SECTION**



**PLAN VIEW**

\*Limits of Stone Riprap, Class A4  
 \*If formed ditch is not present, riprap shall be extended 1.2m past projected toe of ditch.  
 Note:  
 The Stone Riprap shall extend to an elevation of the top of the Top Slab within the outline shown. The Radii R<sub>1</sub> & R<sub>2</sub> shall be determined in the field.

**SLOPE TREATMENT DETAILS**

**GENERAL NOTES**

1. Reinforcement for precast box end sections shall conform to specifications for the same size box unit for the specifications specified for that culvert.
2. Reinforcement shall be welded wire fabric conforming to ASTM A-185. Laps, welds and spacing shall conform to ASTM C-789 and AASHTO M-259.

REVISIONS	
NAME	DATE

ILLINOIS DEPARTMENT OF TRANSPORTATION  
**BOX CULVERT EXTENSIONS**  
**PRECAST END SECTION DETAILS**

SCALE NONE DRAWN BY MLB  
 DATE DECEMBER 10, 2006 CHECKED BY MTH

PLOT DATE = 3/20/2008 FILE NAME = H:\4420\4420.5\Lin\_Eng\design\_files\12-18-2006\IS-16.dgn