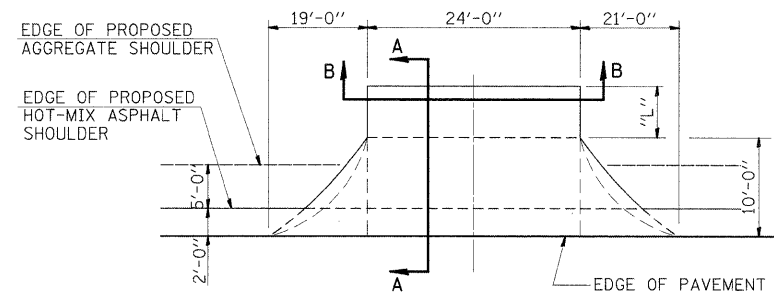
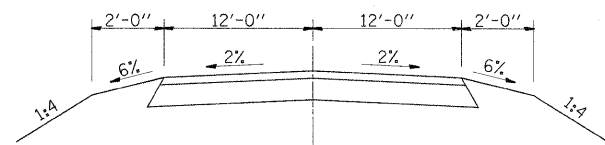


**BUTT JOINT DETAIL**

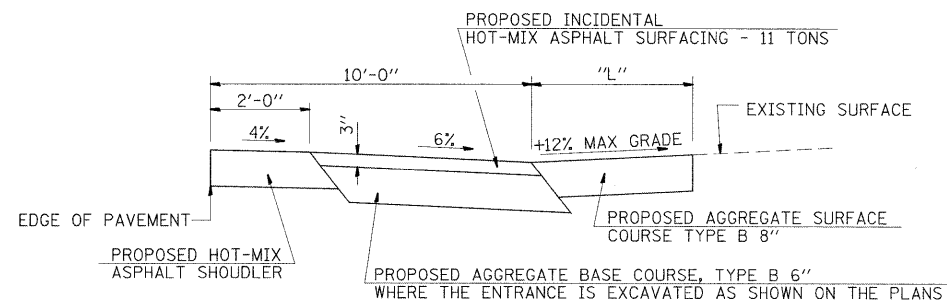
NOTE: BUTT JOINT EXTENDS THE WIDTH OF THE PAVEMENT PLUS THE WIDTH OF THE PROPOSED NORTH HOT-MIX ASPHALT SHOULDER.



PLAN  
STA. 2045+26 LT

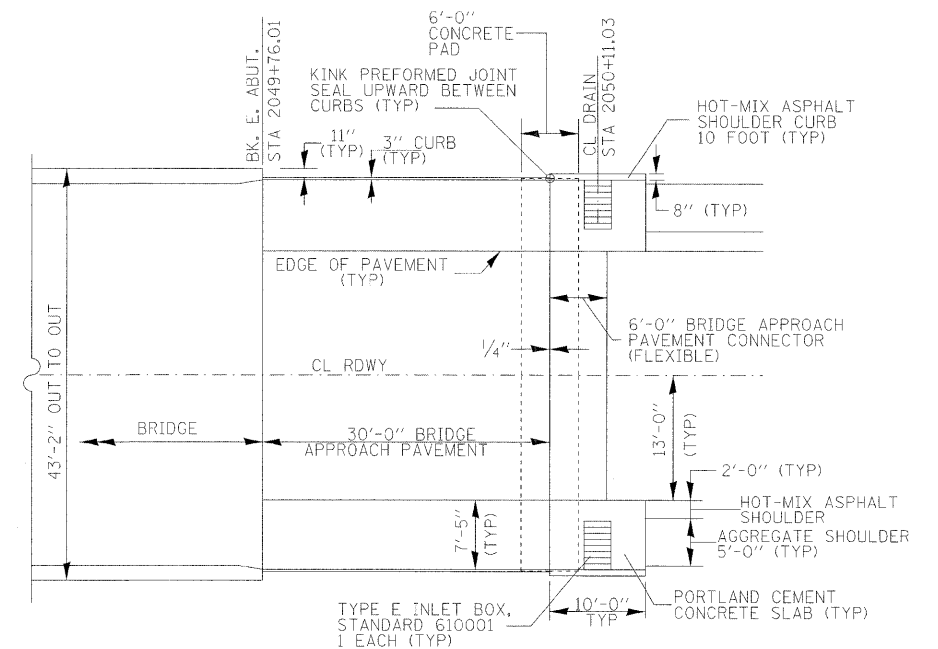


SECTION B-B



SECTION A-A

**ENTRANCE DETAILS**



**DRAIN DETAILS**

NOTE: SEE SHEETS 30-33 FOR BRIDGE APPROACH PAVEMENT DETAILS

FILE NAME =	USER NAME = chollandeske	DESIGNED -	REVISED -	<b>STATE OF ILLINOIS DEPARTMENT OF TRANSPORTATION</b>	<b>DETAILS</b>			F.A.P. R.T.E.	SECTION	COUNTY	TOTAL SHEETS	SHEET NO.
ct:\pw_work\pwidot\chollandeske\dms51755\pln097a.dgn	PLT SCALE = 50.00' / IN.	DRAWN -	REVISED -					42	139BR	BOND	59	26
	PLT DATE = 10/23/2008	CHECKED -	REVISED -		CONTRACT NO. 76391							
		DATE -	REVISED -		SCALE:	SHEET NO.	OF SHEETS	STA.	TO STA.	FED. ROAD DIST. NO.	ILLINOIS FED. AID PROJECT	