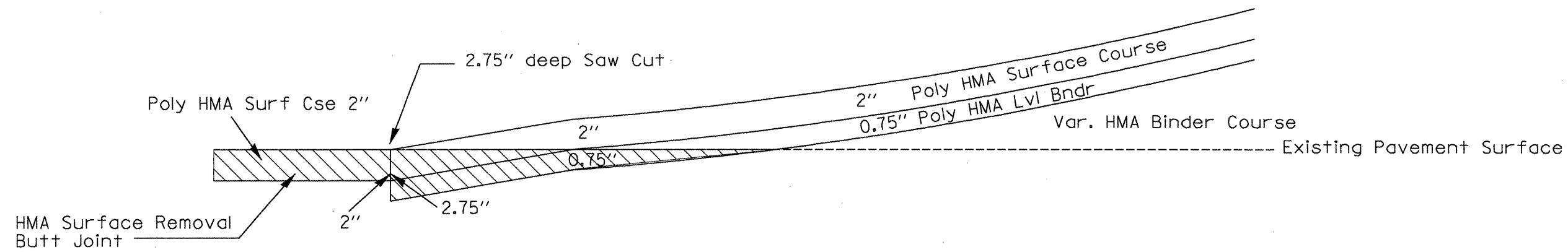
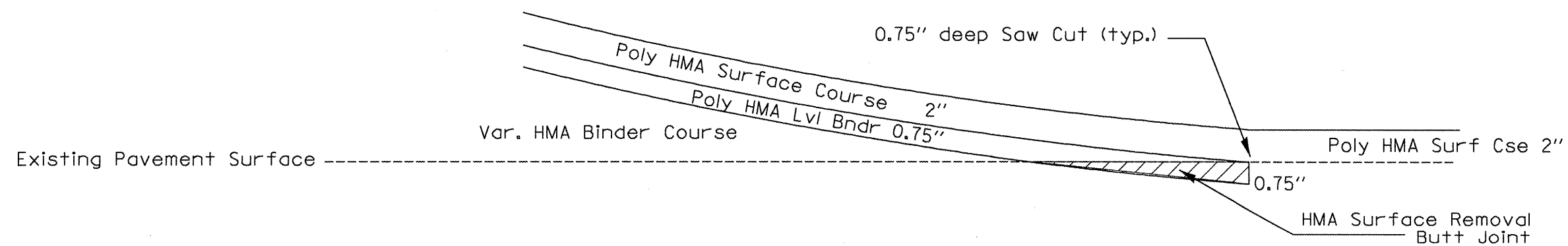


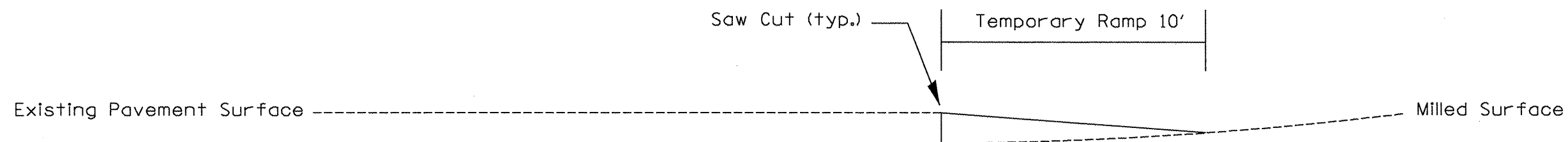
South Butt Joint



North Butt Joint



Temporary Ramp (Typ.)



FILE NAME =	USER NAME = eversci
ct\projects\harmhwy\misc\dgn	
PLOT SCALE = 100.0000' / IN.	PLOT DATE = 10/20/2008

DESIGNED -	REVISD -
DRAWN -	REVISD -
CHECKED -	REVISD -
DATE -	REVISD -

STATE OF ILLINOIS
DEPARTMENT OF TRANSPORTATION

Kickapoo Creek Road Spur Butt Joints

SCALE: SHEET NO. OF SHEETS STA. TO STA.

F.A.U. RTE.	SECTION	COUNTY	TOTAL SHEETS	SHEET NO.
6758	(1-R),(1-VCIBR)	PEORIA	172	101
FED. ROAD DIST. NO. ILLINOIS FED. AID PROJECT			CONTRACT NO. 68092	