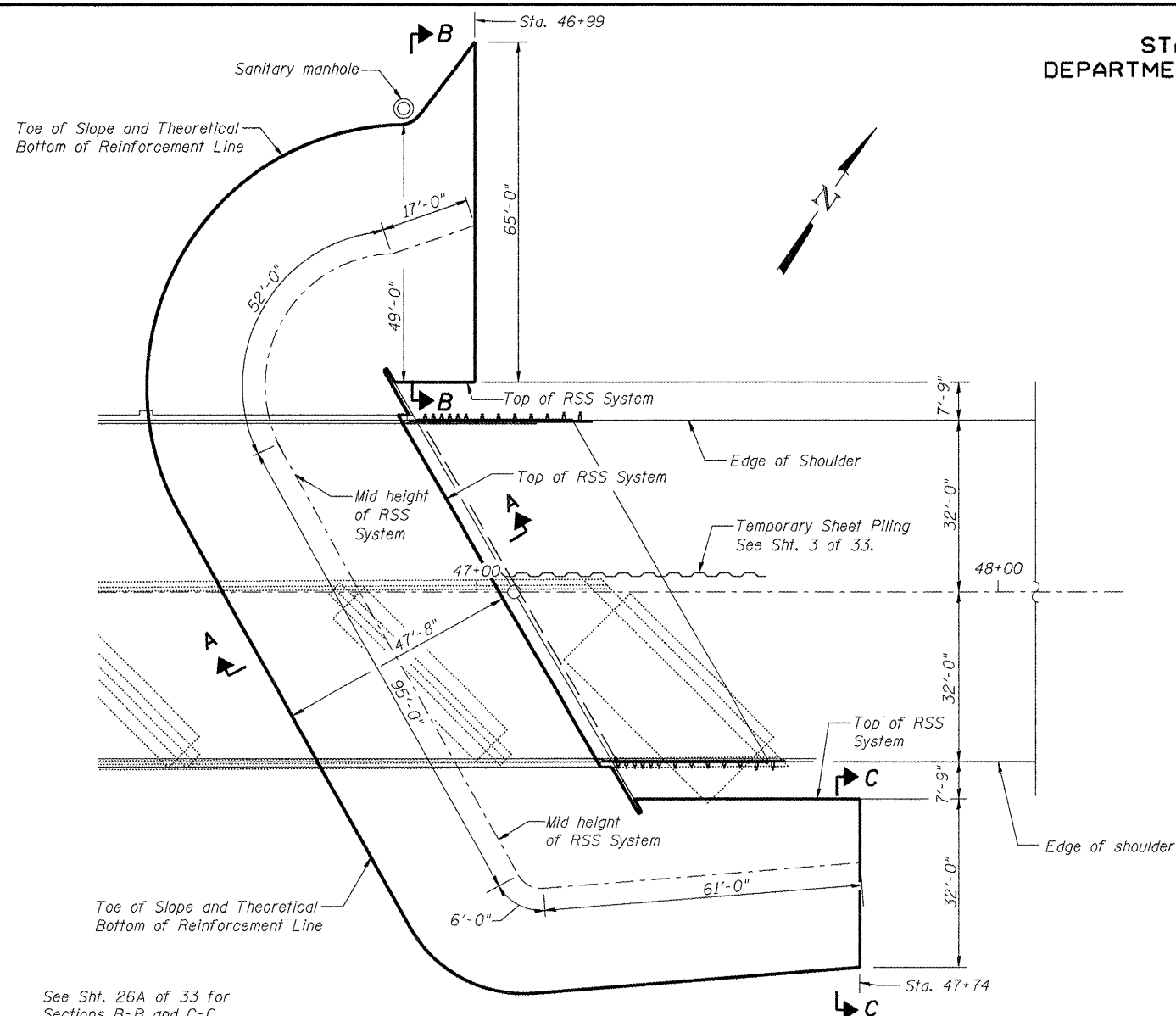
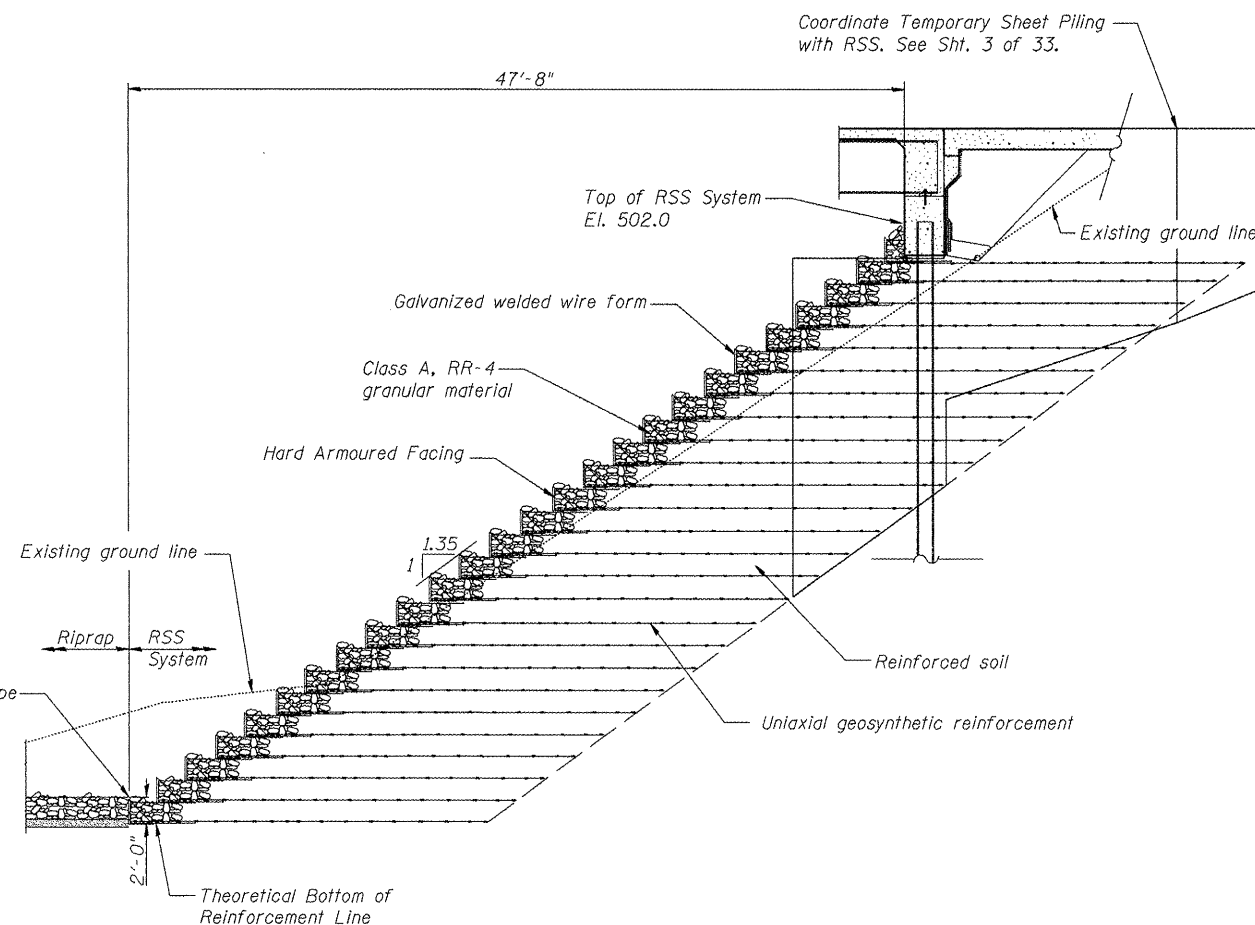


STATE OF ILLINOIS  
DEPARTMENT OF TRANSPORTATION

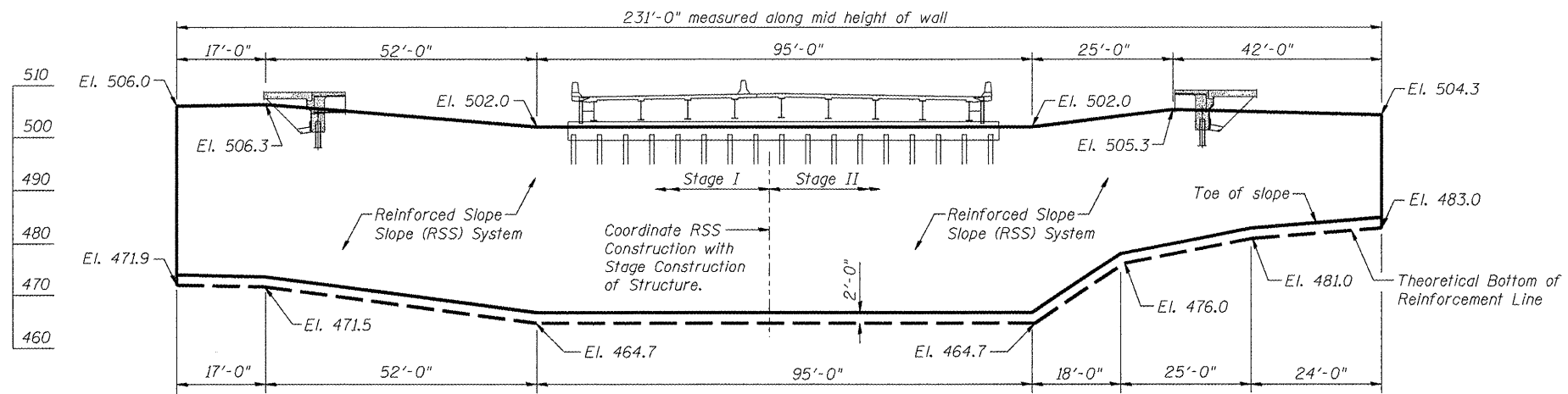


**PLAN**

See Sht. 26A of 33 for Sections B-B and C-C.



**SECTION A-A**



**ELEVATION**  
Looking East

Note: All horizontal dimensions are along mid height of RSS System.

**QUANTITIES**

Item	Unit	Quantity
Reinforced Soil Slope System	Sq. Yd.	7803

Quantity calculated on vertical projected area (from Top of Slope to Theoretical Bottom of Reinforcement Line) along mid height of RSS.

**REINFORCED SOIL SLOPE  
SYSTEM PLAN AND ELEVATION  
AIRPORT ROAD OVER U.P.R.R.  
AND KICKAPOO CREEK TRIBUTARY  
STATION 45+42.00**

DESIGNED	DDB
CHECKED	PJL
DRAWN	MGM
CHECKED	DDB

**STS | AECOM**  
111 NE Jefferson Avenue  
Peoria, IL 61602  
T 309.676.8464  
F 309.676.5445  
IL Design Firm Reg.  
No. 184-001518  
www.stsconsultants.com

SHEET NO. 26	F.A.U. RTE.	SECTION	COUNTY	TOTAL SHEETS	SHEET NO.
OF	6578	(1-R)RS(1-VC)BR	PEORIA	142	86
33 SHEETS	STRUCTURE NO. 072-0201		CONTRACT NO. 68092		
FED. ROAD DIST. NO. _		ILLINOIS FED. AID PROJECT			