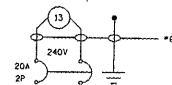


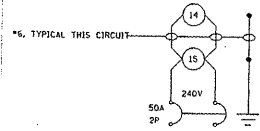
EXISTING LIGHTING CKT 2
EXISTING LIGHTING CONTROLLER

NOTES:

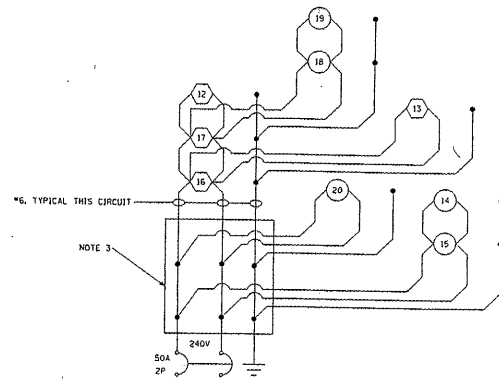
- EXISTING CIRCUIT DIAGRAMS ARE PROVIDED FOR INFORMATION ONLY. CONTRACTOR SHALL VERIFY EXISTING FIELD CONDITIONS.
- CONTRACTOR SHALL COORDINATE THE WIRING FOR ROADWAY LIGHTING WITH THE TRAFFIC SIGNAL WORK. ALL NECESSARY REVISIONS TO THE WIRING SHOWN ON THIS SHEET SHALL BE MADE AT NO ADDITIONAL COST TO THE DEPARTMENT AND TO THE SATISFACTION OF THE ENGINEER.
- CONTRACTOR SHALL PROVIDE AND INSTALL DISTRIBUTION BLOCKS WITHIN THE EXISTING LIGHTING CONTROLLER AS NECESSARY. ALL HARDWARE AND EQUIPMENT NECESSARY, INCLUDING ALL LABOR, SHALL BE PROVIDED AT NO COST TO THE DEPARTMENT AND TO THE SATISFACTION OF THE ENGINEER.



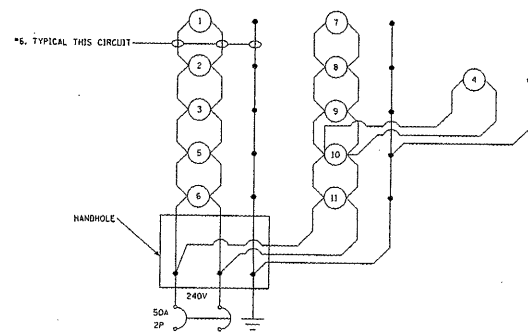
EXISTING LIGHTING CKT 3
EXISTING LIGHTING CONTROLLER



EXISTING LIGHTING CKT 1
EXISTING LIGHTING CONTROLLER

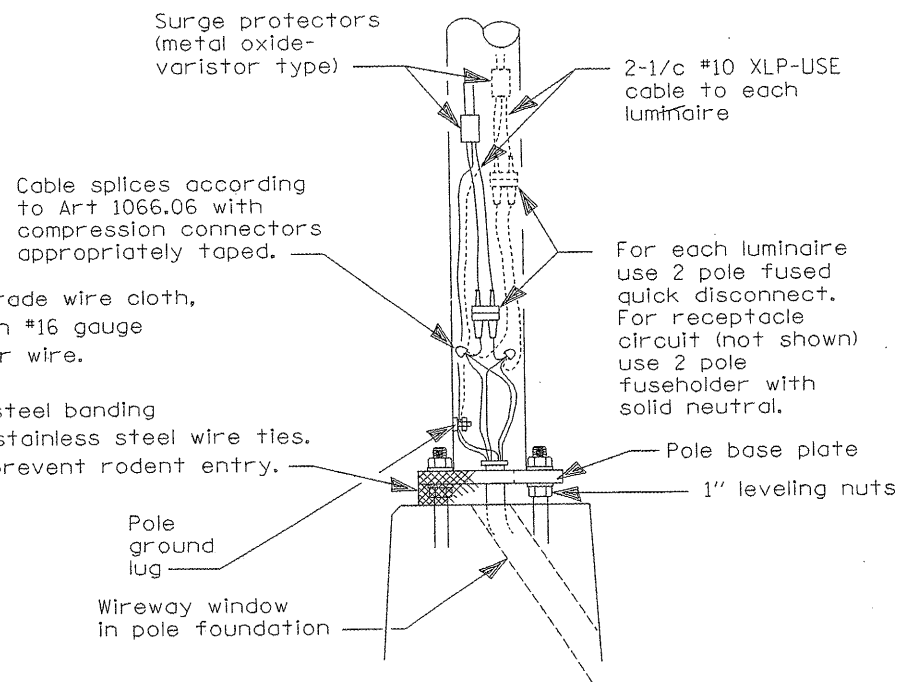


PROPOSED LIGHTING CKT 1
EXISTING LIGHTING CONTROLLER



PROPOSED LIGHTING CKT 2
EXISTING LIGHTING CONTROLLER

BRANCH CIRCUIT DIAGRAM



WIRING DETAIL

NO SCALE

Stainless steel standard grade wire cloth, 6x6 (1/4") mesh or less with #16 gauge (0.062") diameter or heavier wire.

Attach with 1/2" stainless steel banding or tie back on itself with stainless steel wire ties. Finished installation must prevent rodent entry.

GENERAL NOTES

All taped splices shall use 2 layers of electrical tape over 3 layers of rubber tape as required by the Standard Specifications. Coat the finished taped splice with bonding compound.

All cable splices shall be taped unless another method has been specifically approved by the Engineer.

For example purposes the pole is shown on an anchor base. If the pole is required to be set on a breakaway base, consult the Standard Specifications.

All dimensions are in millimeters (inches) unless otherwise shown.

DATE	REVISIONS	BRANCH CIRCUIT DIA. POLE HANDHOLE WIRING				
7/31/08	Updated					
		F.A.U. R.T.E.	CONTRACT NUMBER	COUNTY	TOTAL SHEETS	SHEET No.
		6578	68092	FLORIDA	142	60D

GOD