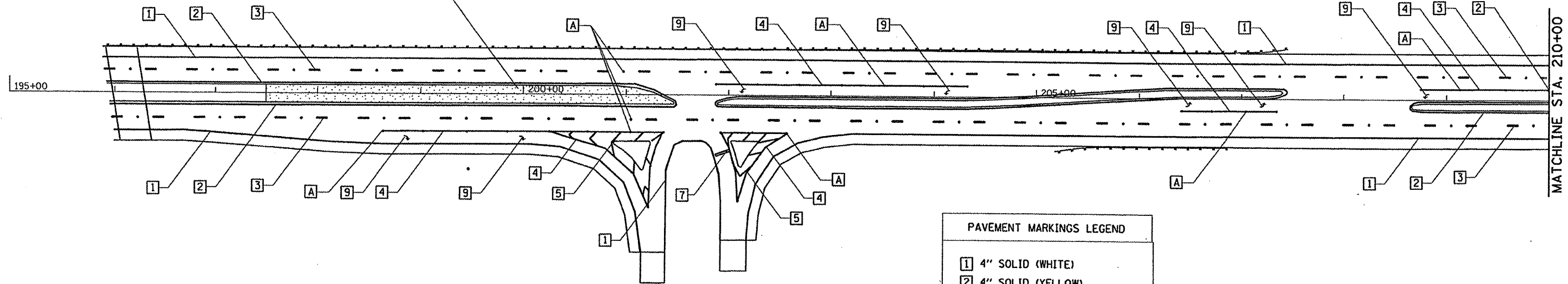
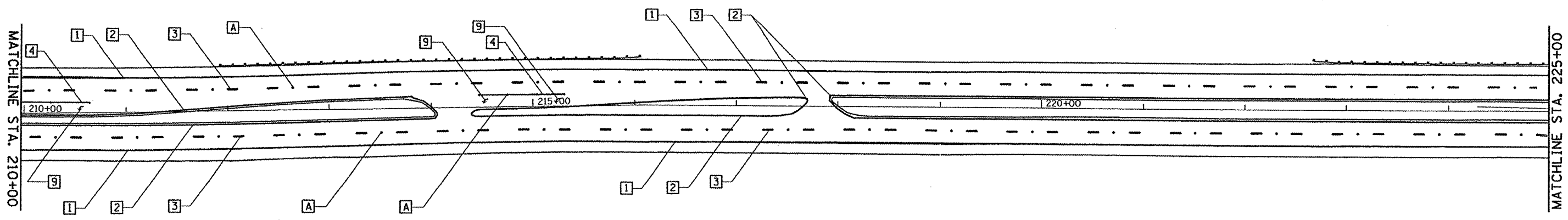
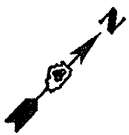
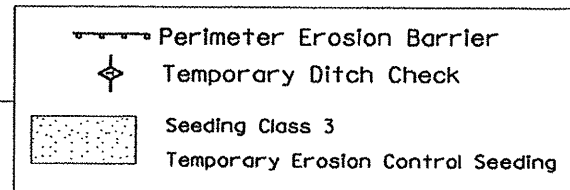


Seeding Class 3
Sta. 197+50 to 201+40



PAVEMENT MARKINGS LEGEND	
1	4" SOLID (WHITE)
2	4" SOLID (YELLOW)
3	6" SKIP DASH (WHITE) TAPE
4	8" SOLID (WHITE)
5	12" SOLID (WHITE)
6	12" SOLID (YELLOW)
7	24" SOLID (WHITE)
8	4" DOUBLE SOLID (YELLOW)
9	LETTERS & SYMBOLS (WHITE)
A	1-WAY CRYSTAL
B	1-WAY AMBER
C	2-WAY AMBER



FILE NAME =	USER NAME = everal	DESIGNED -	REVISED -
C:\Documents and Settings\everal\Desktop\Harmon Highway\misc.dgn		DRAWN -	REVISED -
	PLOT SCALE = 100.0000' / IN.	CHECKED -	REVISED -
	PLOT DATE = 11/17/2008	DATE -	REVISED -

**STATE OF ILLINOIS
DEPARTMENT OF TRANSPORTATION**

**Temporary Erosion Control,
Landscaping & Pavement Markings**

F.A.U. RTE.	SECTION	COUNTY	TOTAL SHEETS	SHEET NO.
6758	(I-R), (I-VC)BR	PEORIA	142	41
FED. ROAD DIST. NO.			ILLINOIS FED. AID PROJECT	
			CONTRACT NO. 68092	

Revised 11/2008

SCALE: SHEET NO. OF SHEETS STA. TO STA.