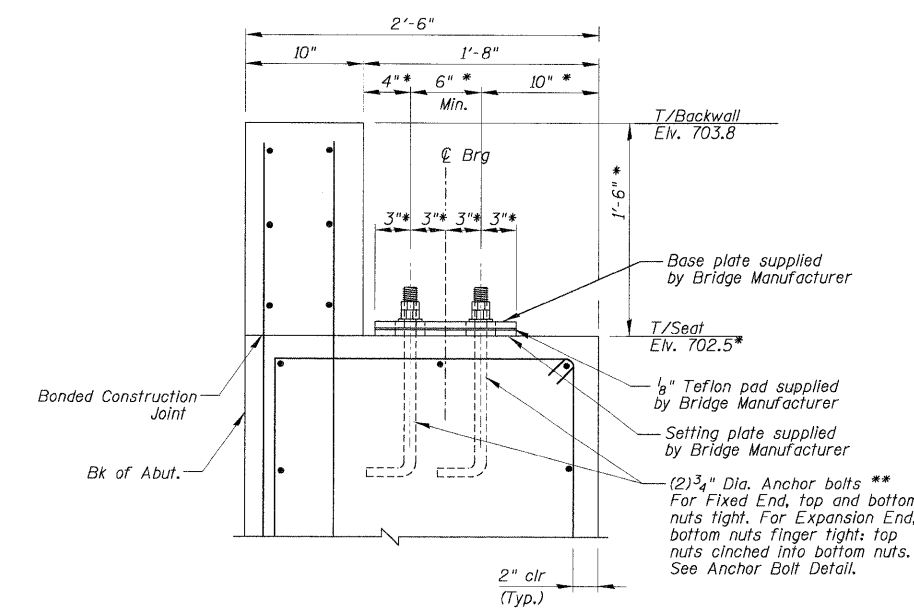
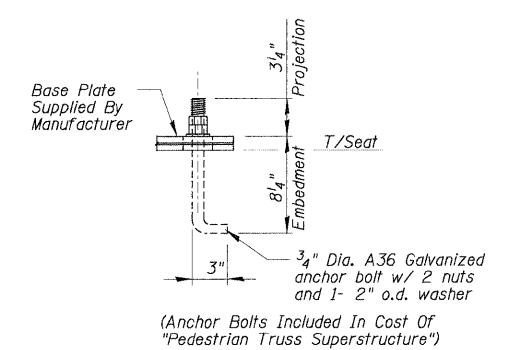


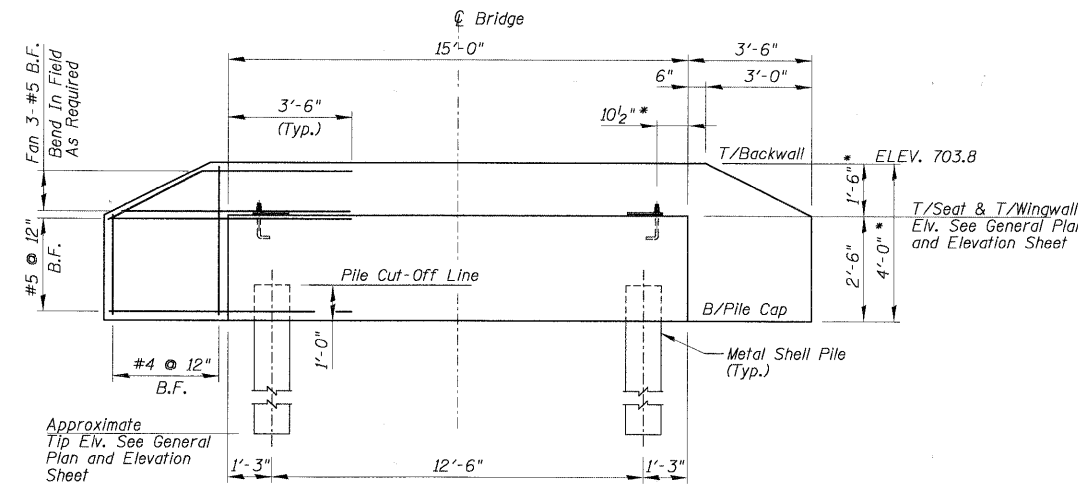
SECTION THRU FABRICATED BRIDGE SUPERSTRUCTURE



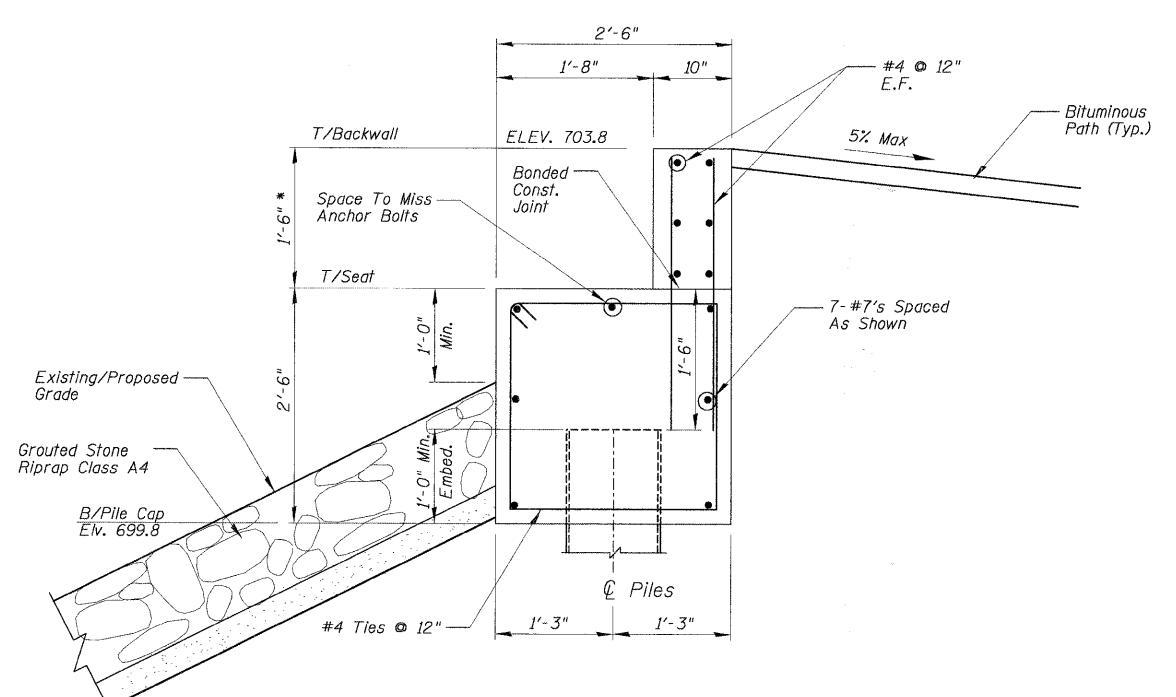
TYPICAL BEARING DETAIL



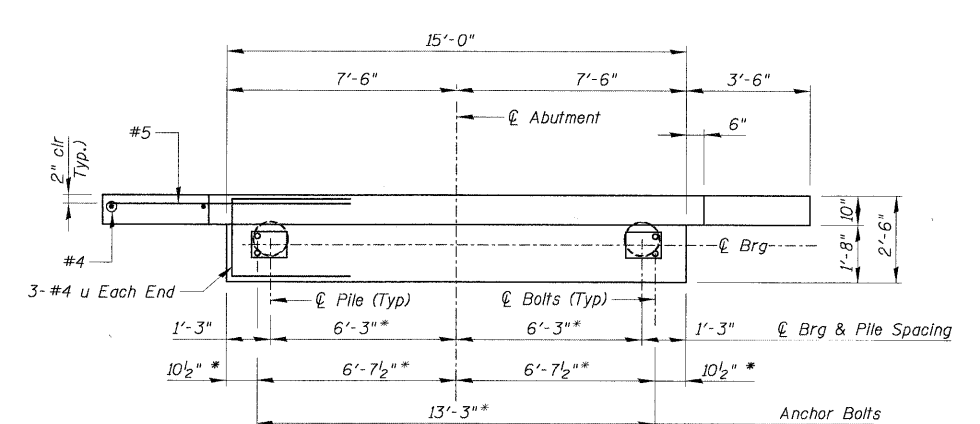
ANCHOR BOLT DETAIL



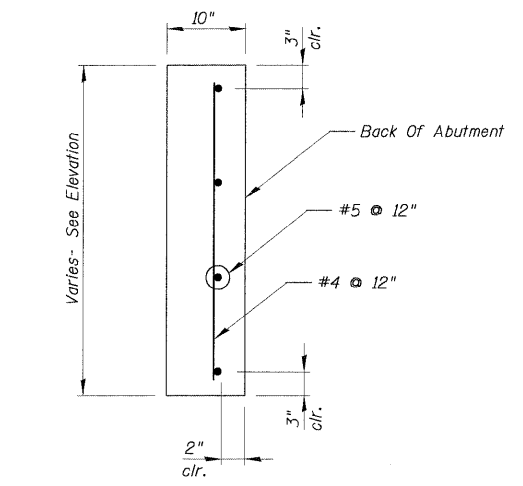
TYPICAL ABUTMENT ELEVATION



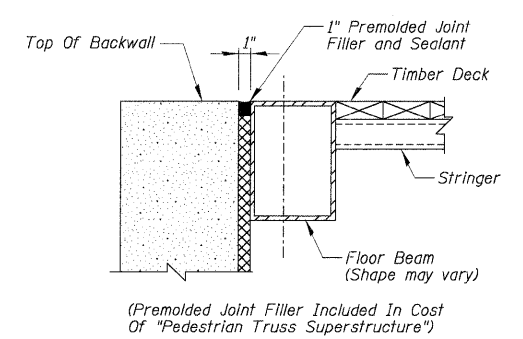
TYPICAL ABUTMENT SECTION



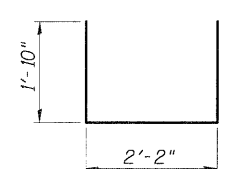
TYPICAL ABUTMENT PLAN



TYPICAL WINGWALL SECTION



JOINT SEAL AT ABUTMENT



BAR U

NOTES:
 * Contractor shall coordinate all dimensions with Bridge Manufacturer prior to construction.
 ** Contractor has the option of substituting anchor bolts with 4-3/4" ϕ HILTI HAS-EE AISI 304 SS Bolts embedded 6" into HIT HY 150 Injection adhesive. Bolts shall not be placed less than 5" from the edge of the structure or less than 6" apart. Contractor shall coordinate plate dimensions, bolt spacing and bolt quantity with Bridge Manufacturer prior to construction.

CHRISTOPHER B. BURKE ENGINEERING, LTD.
 9875 W. Higgins Road, Suite 600
 Rosemont, Illinois 60018
 (847) 823-0500

**STATE OF ILLINOIS
 DEPARTMENT OF TRANSPORTATION**

ABUTMENT DETAILS

FILE NAME =	USER NAME = MAGOLDEN	DESIGNED - WJS	REVISED -
Na:\0-land\115\080156\Struct\080156-52.PLN		DRAWN - PDR	REVISED -
		CHECKED - MM	REVISED -
		DATE -	REVISED -

SHEET NO. S-3 OF S-6	
----------------------	--

F.A.S. RTE.	SECTION	COUNTY	TOTAL SHEETS	SHEET NO.
N/A	06-00021-00-BT	COOK	60	23
CONTRACT NO. 63084				
FED. ROAD DIST. NO. 1 ILLINOIS FED. AID PROJECT BRM-8003043				

**LAKE LORIN BIKE TRAIL
 OVER TINLEY CREEK
 SECTION 06-00021-01-BT
 COOK COUNTY, ILLINOIS
 STA. 142+72.63
 STRUCTURE NO. N/A**