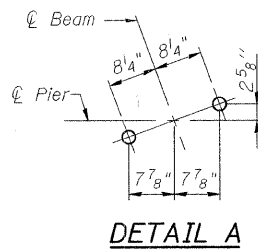


STATE OF ILLINOIS
DEPARTMENT OF TRANSPORTATION
71'-6"

ROUTE NO.	SECTION	COUNTY	SHEETS	SHEET	SHEET NO.
345	++	DU PAGE	65	51	25 SHEETS
FED. ROAD DIST. NO. 7		ILLINOIS	FED. AID PROJECT-		

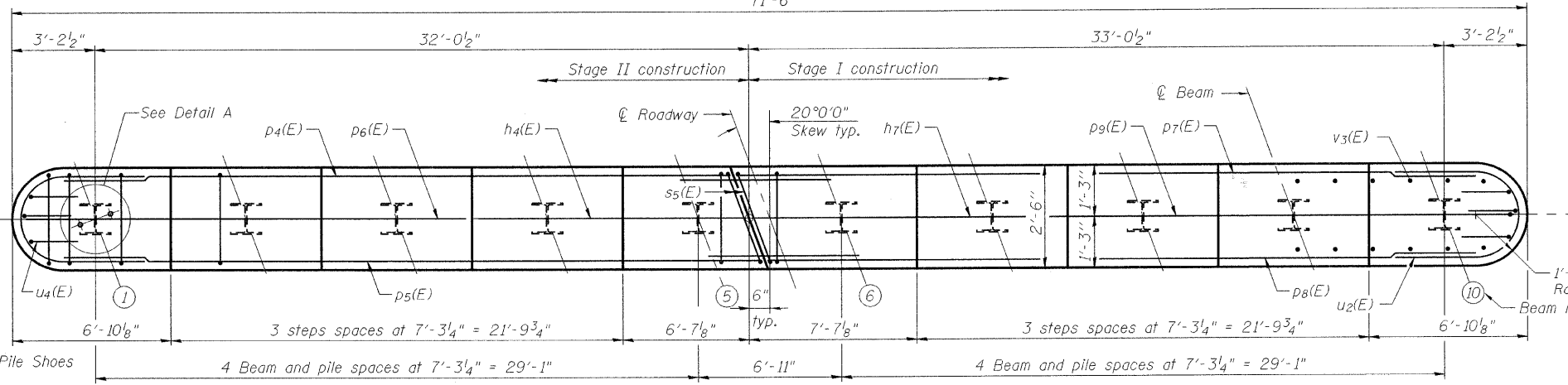
98-00153-02-BR
Contract No. 63077

Notes:
Pour steps monolithically with cap.
Space reinforcement in cap to miss anchor bolts.
For details of piles see sheet 22 of 25.

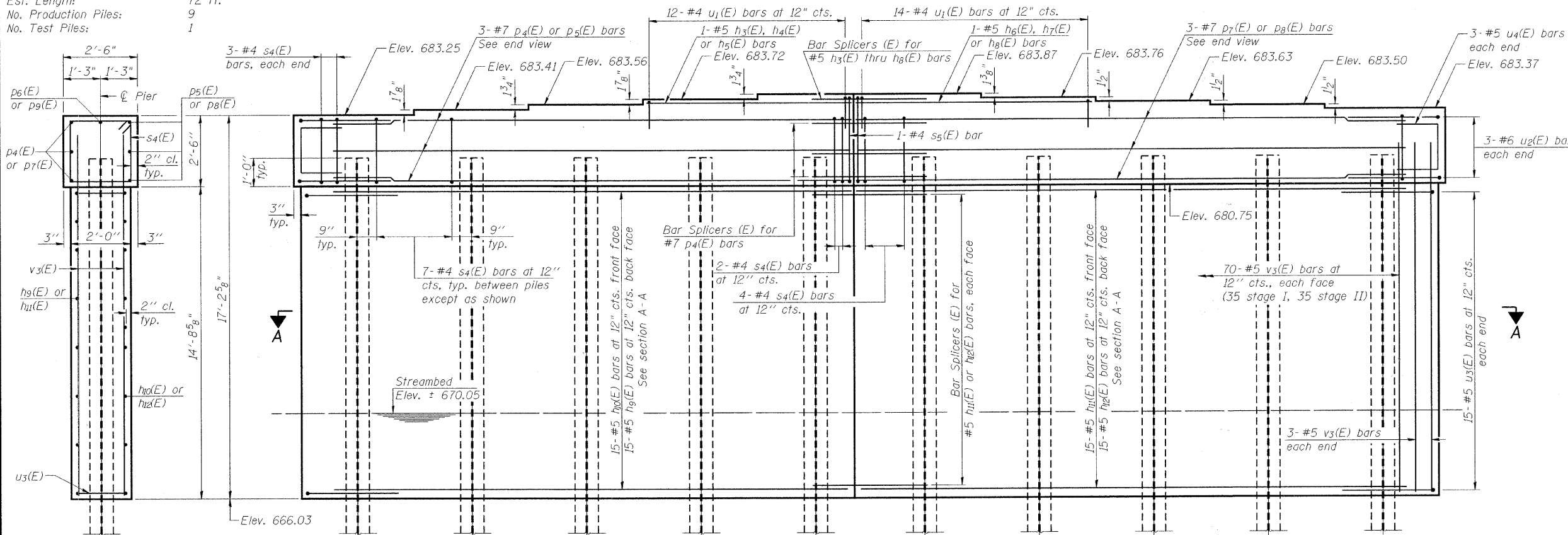


PILE DATA

Type: HP 12 x 74 w/ Pile Shoes
Nominal Required Bearing: 589 kips
Allowable Resistance Available: 196 kips
Est. Length: 72 ft.
No. Production Piles: 9
No. Test Piles: 1

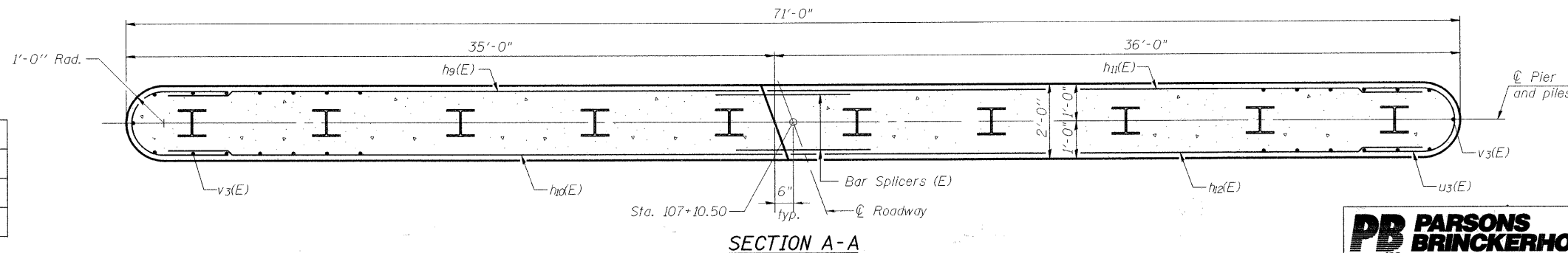


TOP PLAN

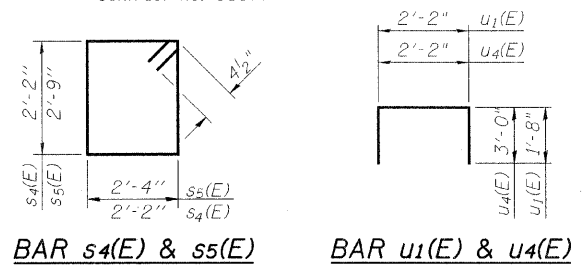


ELEVATION
(Looking East)

END VIEW

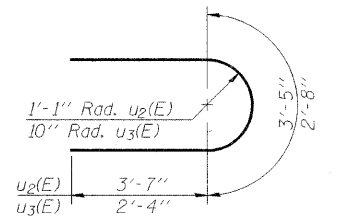


SECTION A-A



BAR S4(E) & S5(E)

BAR U1(E) & U4(E)



BARS U2(E) & U3(E)

BILL OF MATERIAL

Bar	No.	Size	Length	Shape
h3(E)	1	#5	12'-10"	—
h4(E)	1	#5	13'-4"	—
h5(E)	1	#5	13'-9"	—
h6(E)	1	#5	15'-0"	—
h7(E)	1	#5	14'-7"	—
h8(E)	1	#5	14'-1"	—
h9(E)	15	#5	33'-1"	—
h10(E)	15	#5	33'-10"	—
h11(E)	15	#5	35'-1"	—
h12(E)	15	#5	34'-4"	—
p4(E)	3	#7	33'-0"	—
p5(E)	3	#7	33'-11"	—
p6(E)	1	#7	33'-6"	—
p7(E)	3	#7	35'-2"	—
p8(E)	3	#7	34'-3"	—
p9(E)	1	#7	34'-9"	—
s4(E)	68	#4	9'-5"	□
s5(E)	2	#4	11'-0"	□
u1(E)	26	#4	5'-6"	U
u2(E)	6	#6	10'-7"	U
u3(E)	30	#5	7'-4"	U
u4(E)	6	#5	8'-2"	U
v3(E)	146	#5	16'-9"	—
Concrete Structures		Cu. Yd.	95.7	
Reinforcement Bars, Epoxy Coated		Pound	6670	
Furnishing Steel Piles, HP 12x74		Foot	648	
Driving Piles		Foot	648	
Pile Shoes		Each	10	
Test Pile Steel, HP 12x74		Each	1	

PIER
F.A.P. RT. 345 - SEC. 98-00153-02-BR
DU PAGE COUNTY
STATION 107+17.50
STRUCTURE NO. 022-3011



G:\16835 Thomdale PhaseII\Struct\Cadd\Pre\final\0223011-00153-021.dgn 04-SEP-2008 11:18

DESIGNED	J. ZUO
CHECKED	J. BRISBOIS
DRAWN	D.C. PATEL
CHECKED	J. GRATNAWI