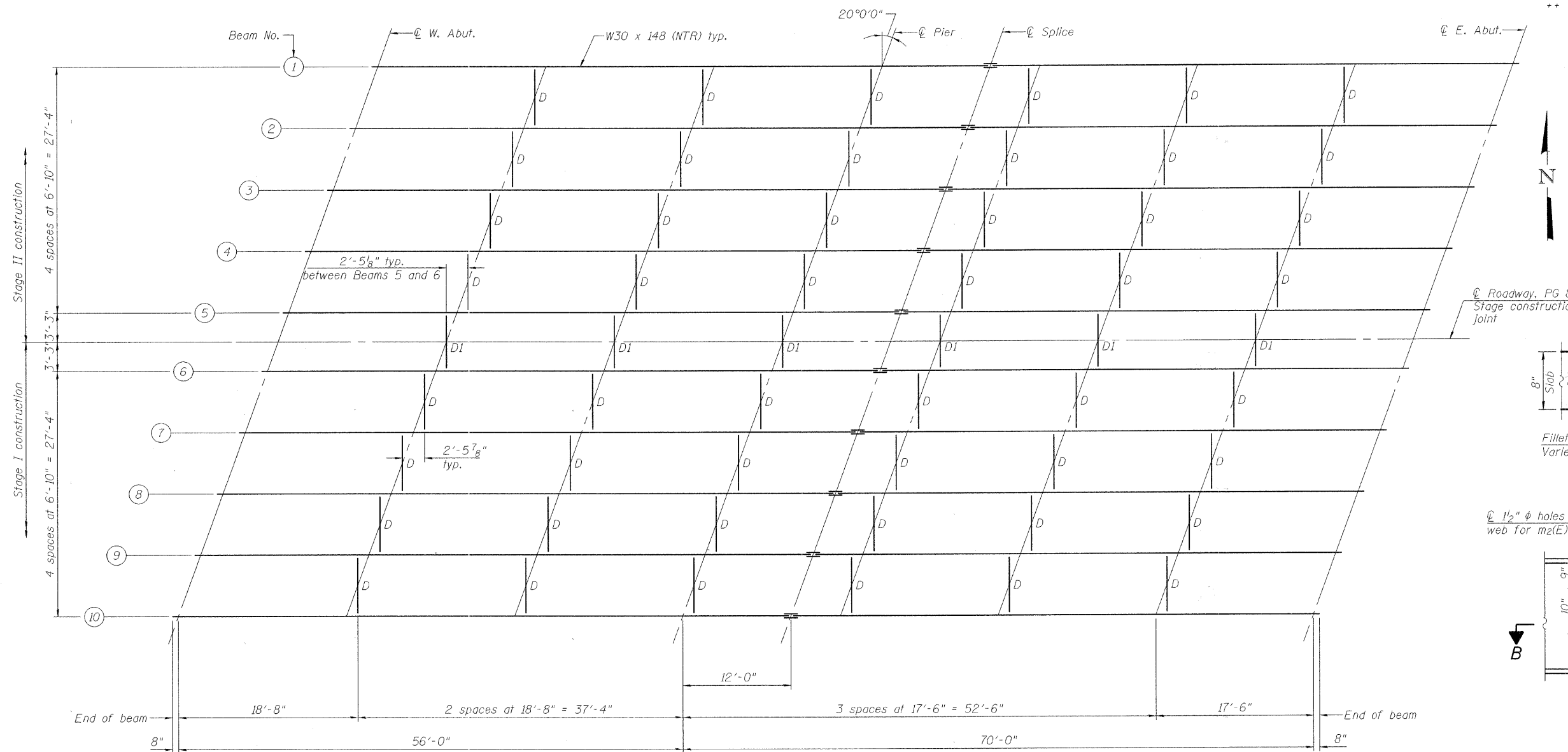


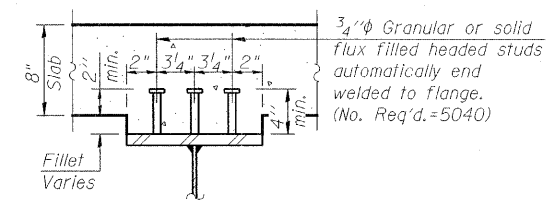
STATE OF ILLINOIS
DEPARTMENT OF TRANSPORTATION

ROUTE NO.	SECTION	COUNTY	TOTAL SHEETS	SHEET NO.	SHEET NO. 16 25 SHEETS
345	++	DU PAGE	65	46	
FED. ROAD DIST. NO. 7		ILLINOIS	FED. AID PROJECT		

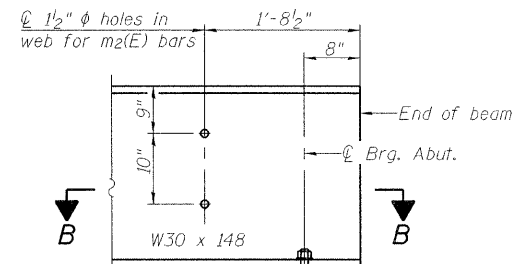
++ 98-00153-02-BR
Contract No. 63077



Note:
Install Diaphragm D1 in stage II construction.
All steel shall be conformed to AASHTO M270 Grade 50W.
Load carry components designated "NTR" shall conform to the supplemental requirements for notch toughness, zone 2.

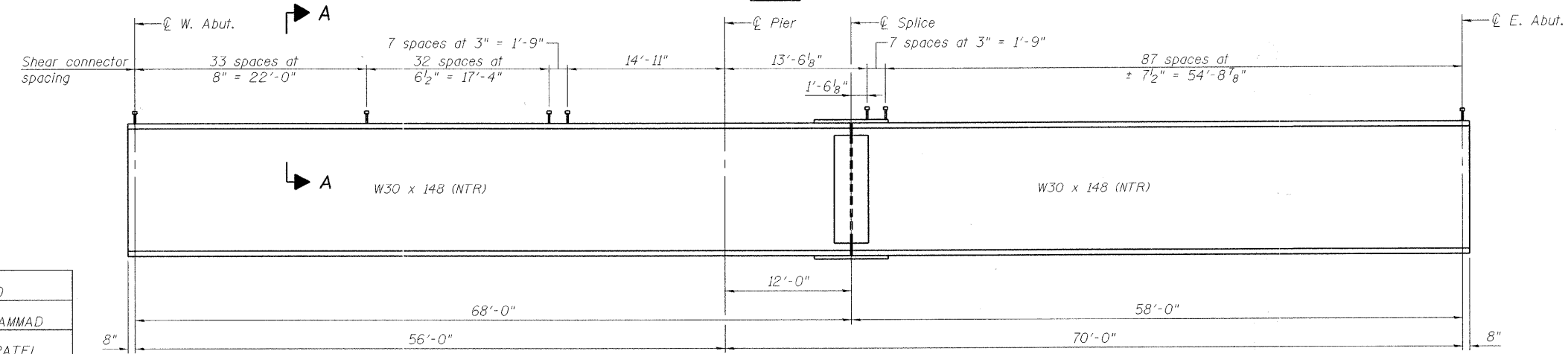


SECTION A-A

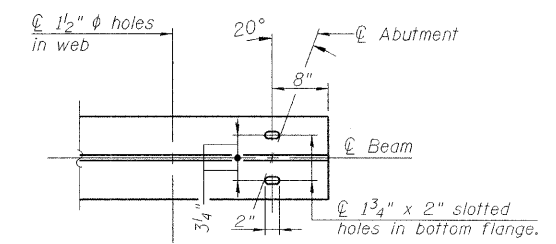


TYP. END OF BEAM ELEVATION

PLAN



BEAM ELEVATION



SECTION B-B

FRAMING PLAN AND BEAM DETAILS
F.A.P. RT. 345 - SEC. 98-00153-02-BR
DU PAGE COUNTY
STATION 107+17.50
STRUCTURE NO. 022-3011



G:\16835 Thomdale Phase1\Struct\Cadd\PreFinal\0223011-00153-016.dgn 04-SEP-2008 11:34

DESIGNED	J. ZUO
CHECKED	A. HAMMAD
DRAWN	D.C. PATEL
CHECKED	J. GRAINAWI