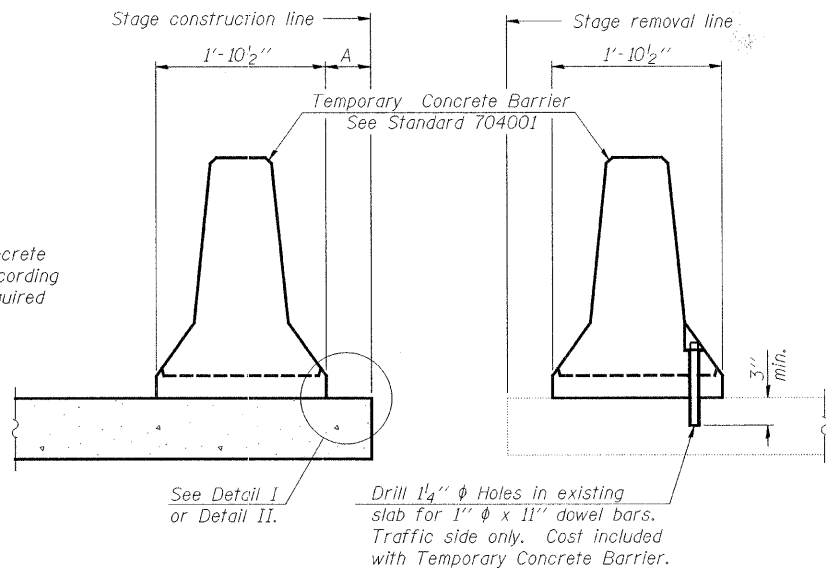


STATE OF ILLINOIS
DEPARTMENT OF TRANSPORTATION

ROUTE NO.	SECTION	COUNTY	TOTAL SHEETS	SHEET NO.	SHEET NO. 6 25 SHEETS
345	++	DU PAGE	65	36	
FED. ROAD DIST. NO. 7		ILLINOIS	FED. AID PROJECT		

++ 98-00153-02-BR
Contract No. 63077



When "A" is 3'-6" or less, the temporary concrete barrier shall be anchored to the new slab according to Detail I or Detail II. No anchorage is required when "A" is greater than 3'-6".

NEW SLAB

EXISTING SLAB

SECTIONS THRU SLAB

NOTES

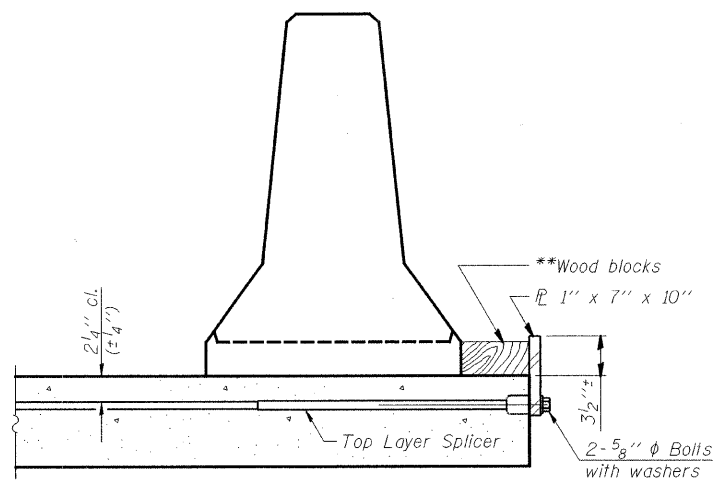
Detail I - With Bar Splicer or Couplers:

Connect one (1) 1"x7"x10" steel PL to the top layer of couplers with 2-5/8" diameter bolts screwed to coupler at approximate center of each barrier panel.

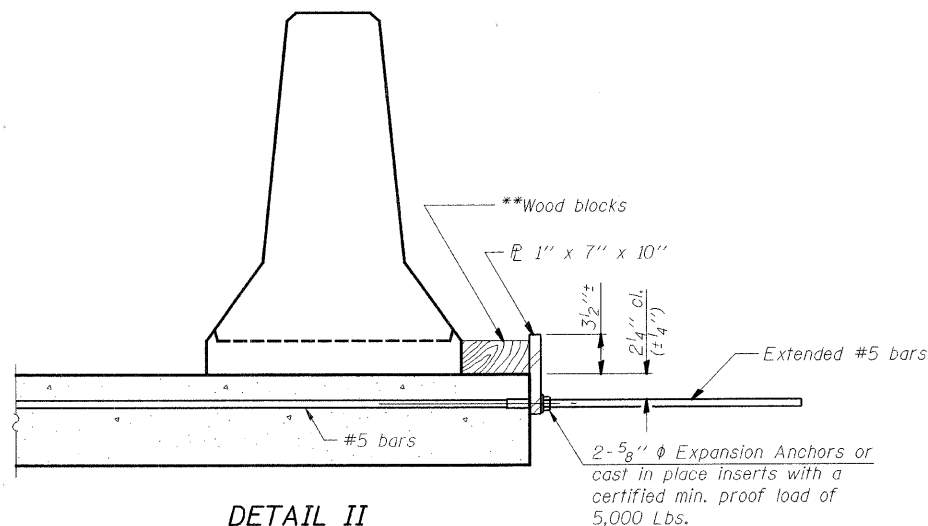
Detail II - With Extended Reinforcement Bars:

Connect one (1) 1"x7"x10" steel PL to the concrete slab with 2-5/8" diameter Expansion Anchors or cast in place inserts spaced between the top layer of reinforcement at approximate center of each barrier panel.

Cost of anchorage is included with Temporary Concrete Barrier. The 1" x 7" x 10" plate shall not be removed until stage II construction forms and all reinforcement bars are in place and the concrete is ready to be placed.

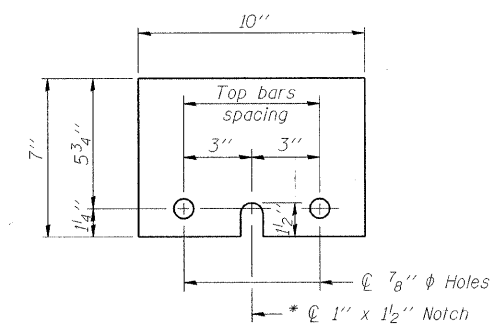


DETAIL I



DETAIL II

** Wood blocks may be omitted when required to provide minimum stage traffic lane width. When the wood blocks are omitted, the concrete barrier shall be in direct contact with the steel retainer plate.



STEEL RETAINER PL 1" x 7" x 10"

* Required only with Detail II

DESIGNED	J. ZUO
CHECKED	J. MUHAMMAD
DRAWN	D.C. PATEL
CHECKED	J. GRAINAWI

R-27

11-1-06

TEMPORARY CONCRETE BARRIER
FOR STAGE CONSTRUCTION
F.A.P. RT. 345 - SEC. 98-00153-02-BR
DU PAGE COUNTY
STATION 107+17.50
STRUCTURE NO. 022-3011

