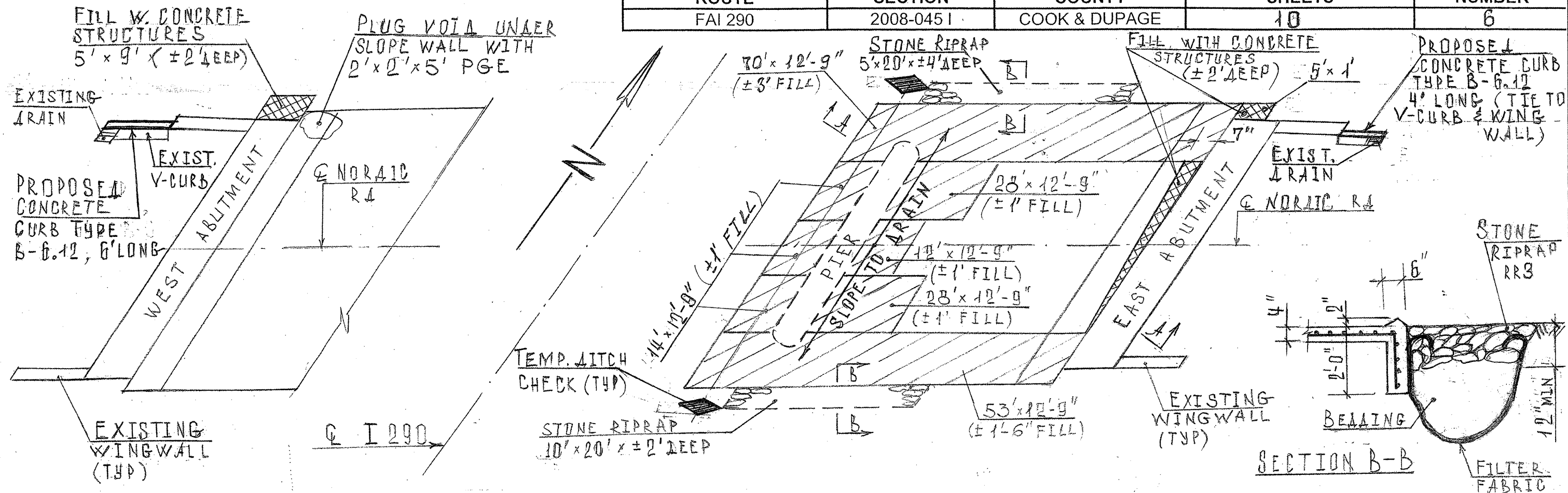
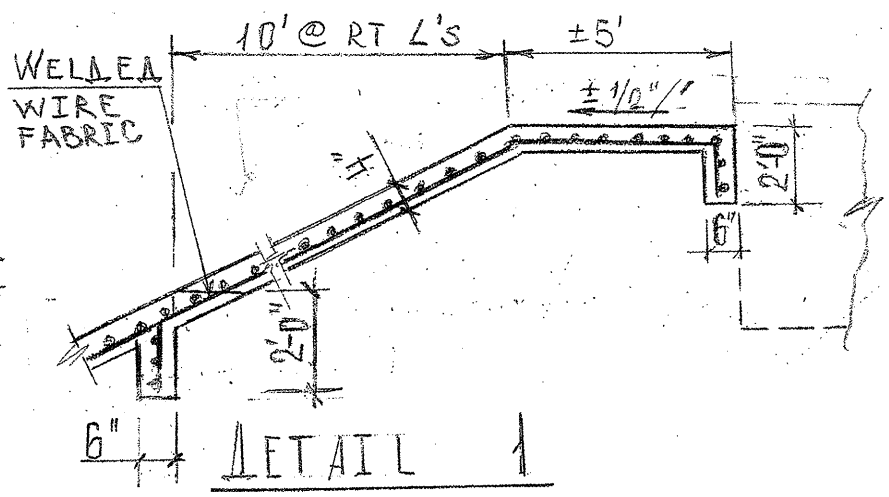
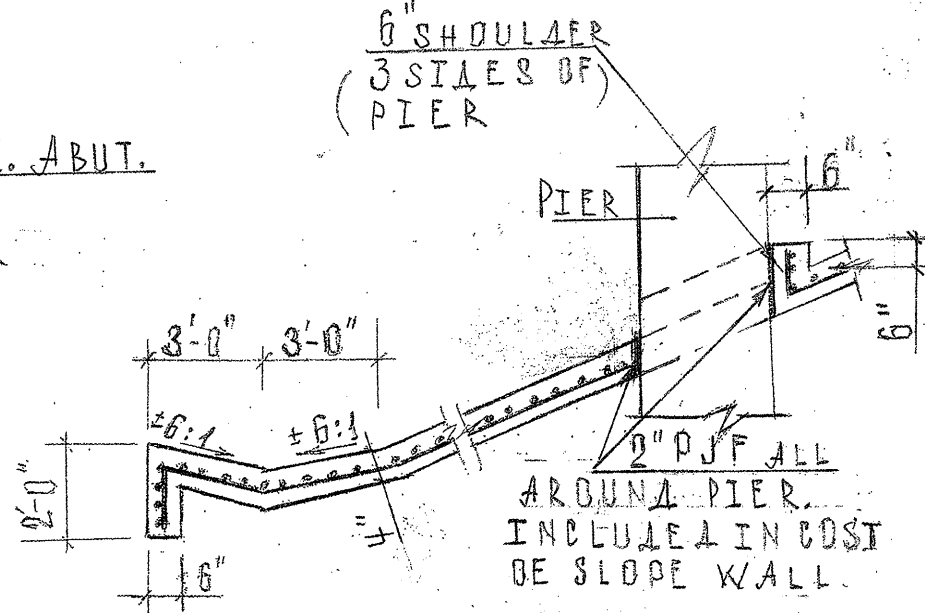
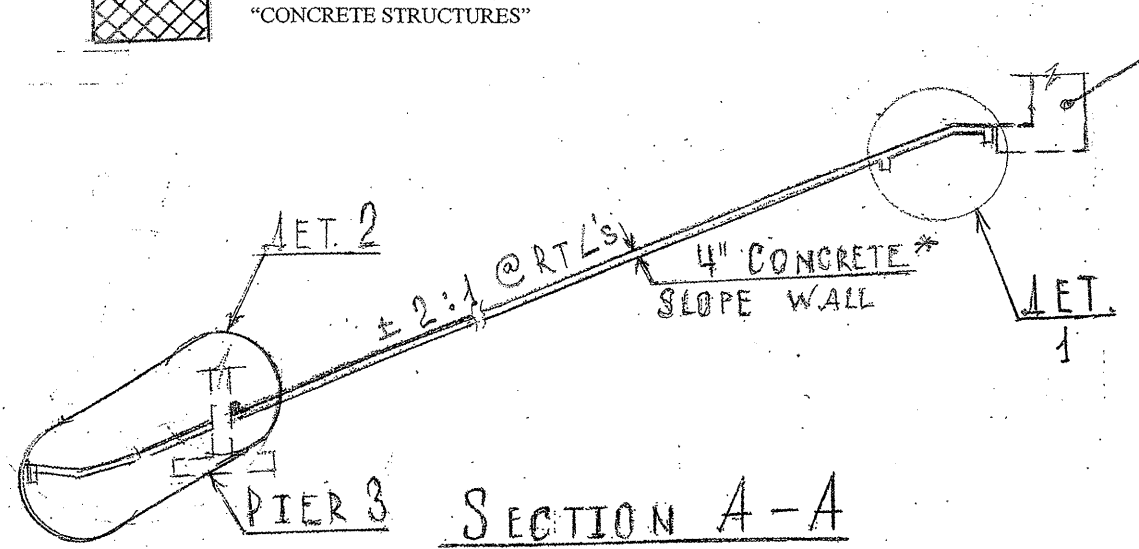


ROUTE	SECTION	COUNTY	TOTAL SHEETS	SHEET NUMBER
FAI 290	2008-0451	COOK & DUPAGE	10	6



HATCHED AREAS INDICATE "SLOPE WALL REMOVAL" "SLOPEWALL 4inch " & " POROUS GRANULAR EMBANKMENT" FILL OF APPROXIMATE DEPTH SPECIFIED.
 CROSS HATCHED AREAS INDICATE "CONCRETE STRUCTURES"



ILLINOIS DEPARTMENT OF TRANSPORTATION
 LOCATION 1: SN 022-0106
 I 290 @ NORDIC RD

CONTRACT 60E91

*EXISTING SLOPE WALL IS ±5" THICK.

SHT 2 OF 2