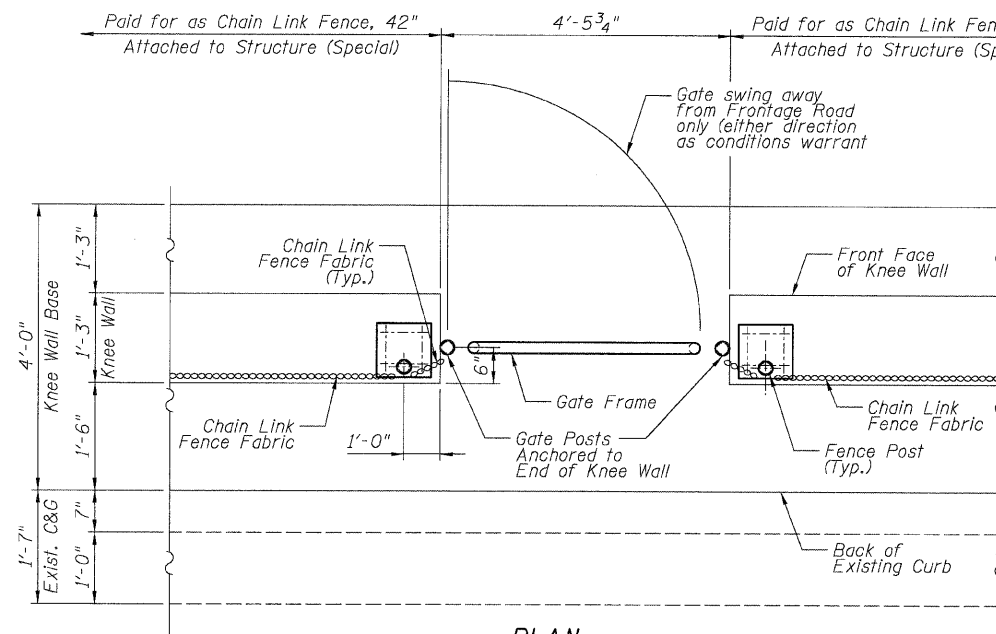
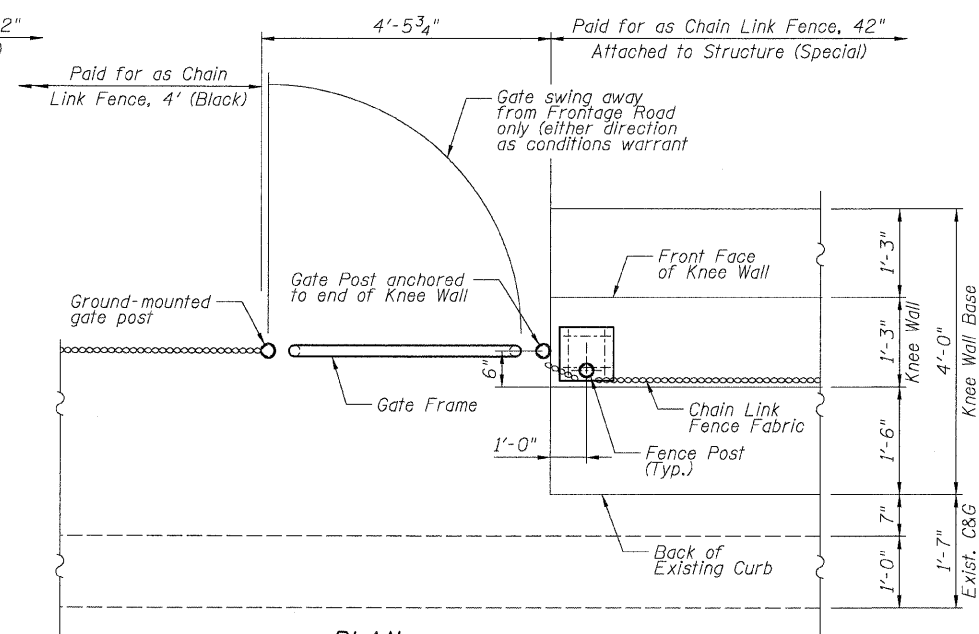


F.A.I.	SECTION	COUNTY	TOTAL SHEETS	SHEET NO.
94/90	2005-0331	COOK	37	34
STA.		TO STA.		
FED. ROAD DIST. NO.		ILLINOIS FED. AID PROJECT		

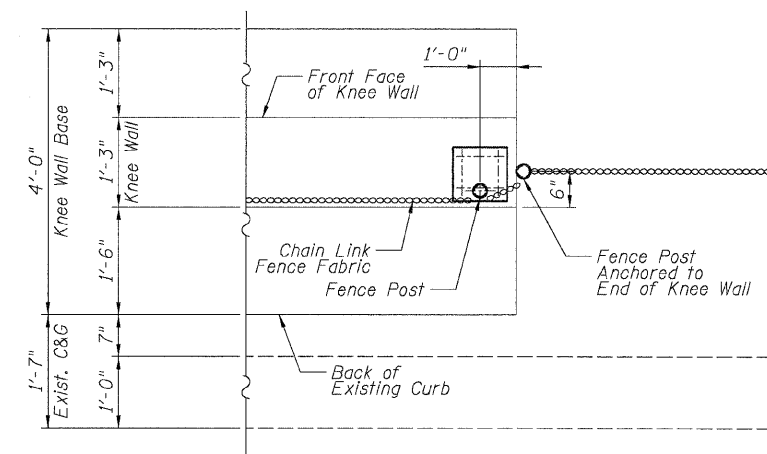
60A04



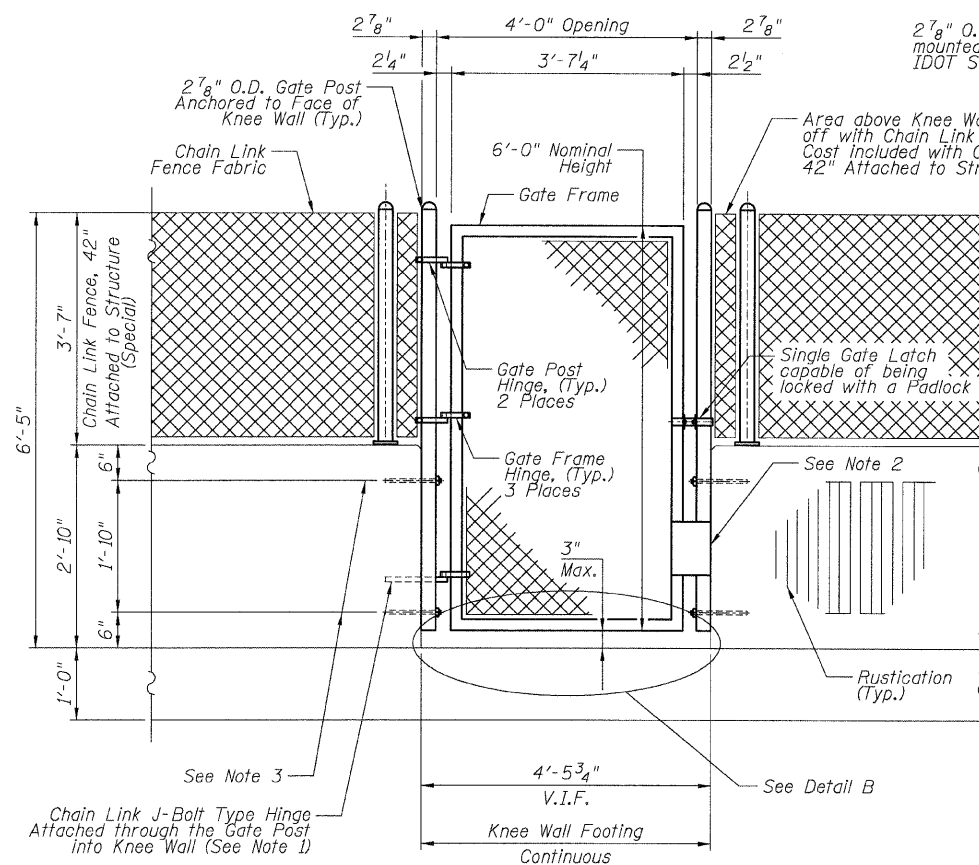
PLAN



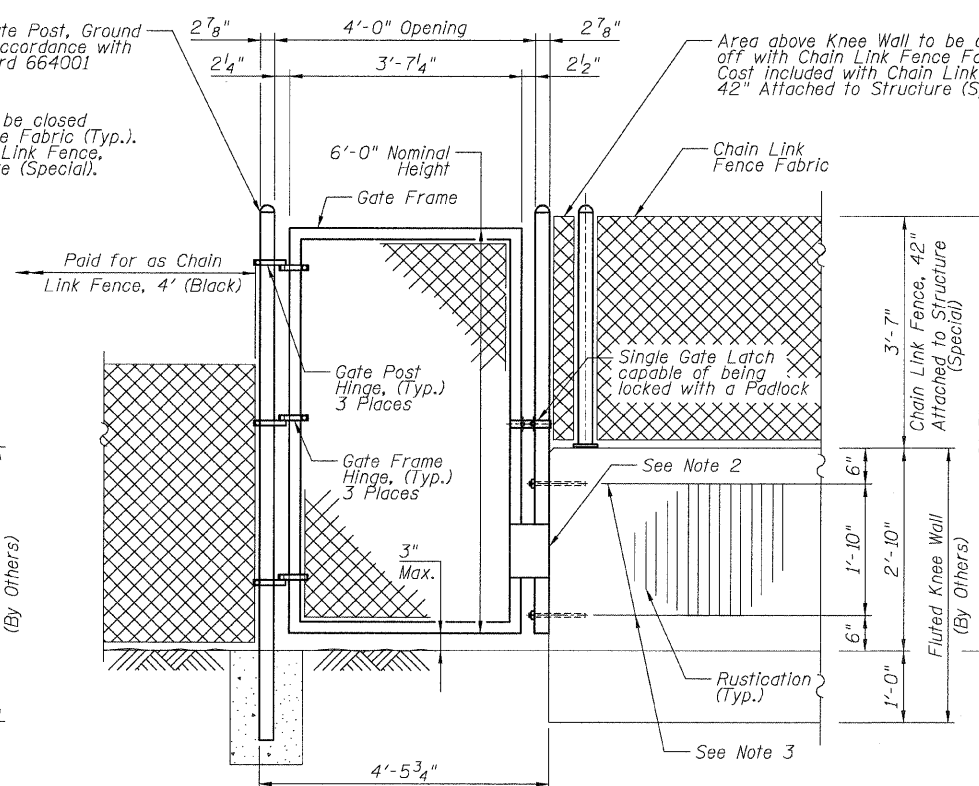
PLAN



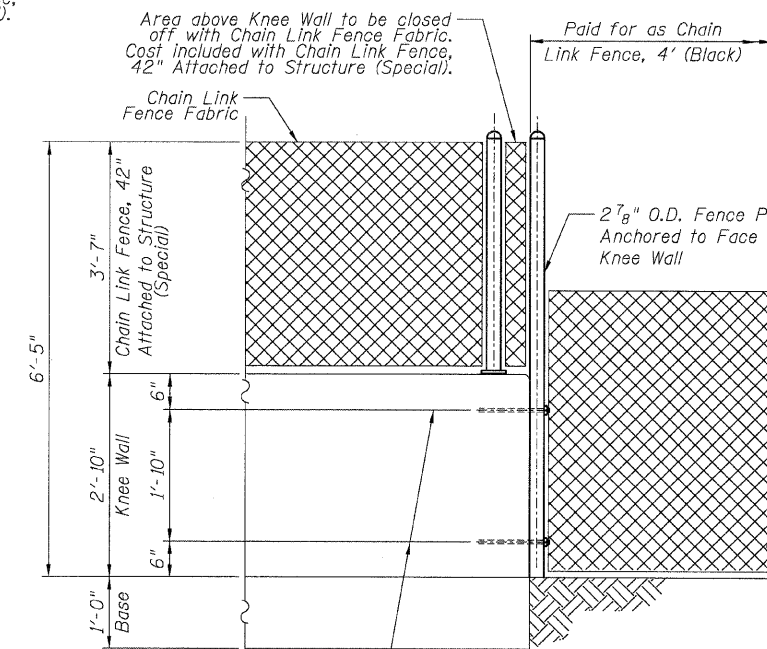
PLAN



6'x4' CHAIN LINK GATE AT KNEE WALL GAP



6'x4' CHAIN LINK GATE AT END OF KNEE WALL



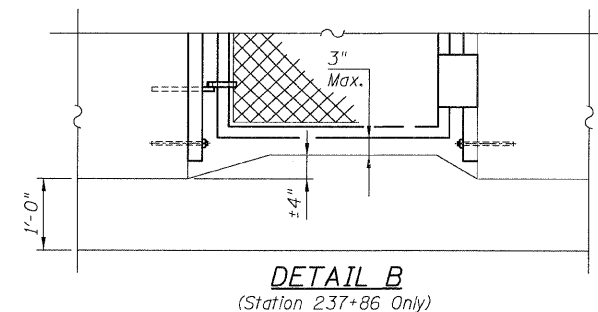
DETAIL A

NOTES:

1. Drill and grout Chain Link J-Bolt Type Hinge in accordance with Art. 584 of the Std. Specs. J-Bolts shall be galvanized in accordance with Art. 1006.09 of the Std. Specs. Cost included with Chain Link Gates, 6'x4' Single.
2. Provide mechanism to prevent gate from opening toward frontage road. In addition, provide gate keepers to hold gate in open position. Cost included with Chain Link Gates, 6'x4' Single.

3. Contractor shall drill and grout 5/8" dia. anchor rods in accordance with Art. 584 of the Std. Specs. Provide hex nut and 1/4" dia. washer. Anchor rods, nuts and washers shall be galvanized in accordance with Art. 1006.09 of the Std. Specs. Embedment shall be according to manufacturer's specifications using HVA adhesive anchor rod system as manufactured by Hilti, Inc. or approved equal. Weld nuts to anchor rods after installation. Cost included with Chain Link Gates, 6'x4' Single.
4. V.I.F. = Contractor to Verify in Field before ordering materials.

BOWMAN, BARRETT & ASSOCIATES INC.
CONSULTING ENGINEERS
Chicago, Illinois
312.228.0100
www.bbancinc.com



DETAIL B
(Station 237+86 Only)

REVISIONS	
NAME	DATE
REVISED	11/5/08

SHEET SD-2
ILLINOIS DEPARTMENT OF TRANSPORTATION
F.A.I. 94/90 (DAN RYAN EXPRESSWAY)
NB FENCE AND GATES FROM 47TH PLACE TO 31ST ST
CHAIN LINK FENCE & GATE DETAILS 1
SCALE: NTS
DATE: 10/23/08
DRAWN BY: TL
CHECKED BY: BLU

11/5/2008 5:20:03 PM