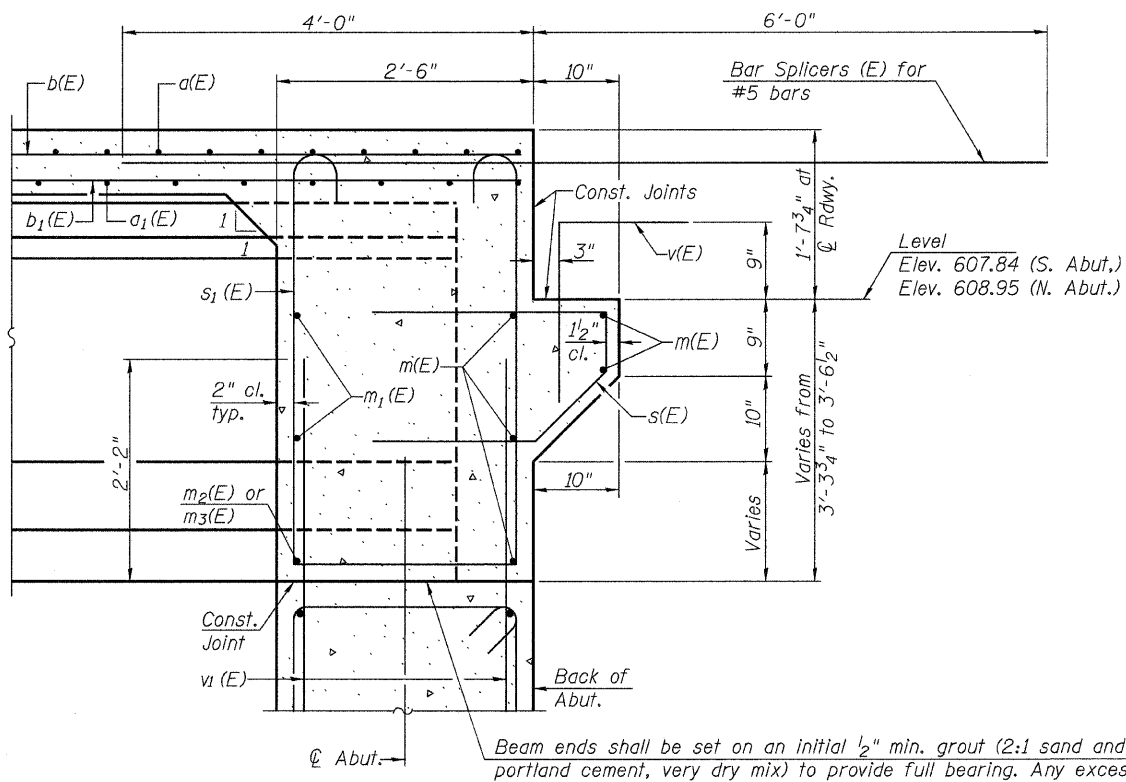


DIAPHRAGM ELEVATION AT ABUTMENT

Notes:
 Reinforcement bars in diaphragm are billed with superstructure on sheet 8 of 21.
 Concrete in diaphragm is included with Concrete Superstructure on sheet 8 of 21.
 For details of bar s(E) see sheet 8 of 21.
 For placement of v(E) bars see sheet 14 and 15 of 21.

MIN. BAR LAP
 #6 bar = 2'-9"



SECTION A-A
 Dimensions at right angles to abutment

DIAPHRAGM DETAILS

SHEET NO. 9 21 SHEETS	ROUTE NO. CH 29	SECTION 10-00649-00-BR	COUNTY LASALLE	TOTAL SHEETS 43	SHEET NO. 16
	S.N. 050-3593		CONTRACT NO. 87430		
	FED. ROAD DIST. NO. 7 ILLINOIS		FED. AID PROJECT BRS-0099(043)		