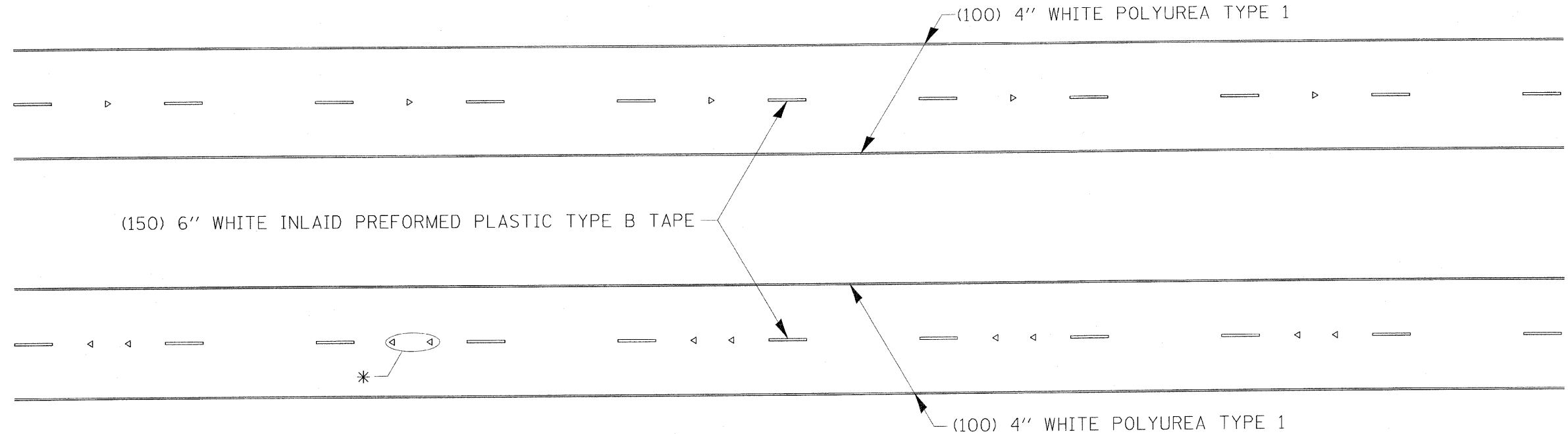
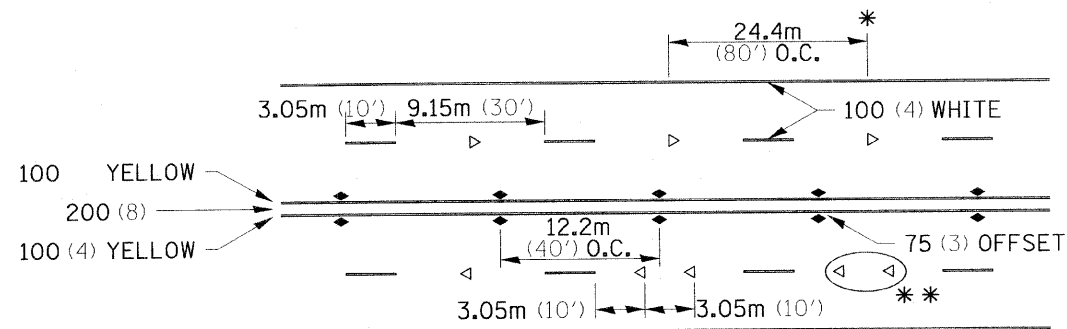


TYPICAL PAVEMENT MARKINGS



* SEE HIGHWAY STANDARD 781001 FOR SPACING DETAILS.
USE DOUBLE MARKERS WHEN ADT ≥ 25,000.

MULTI-LANE / DIVIDED

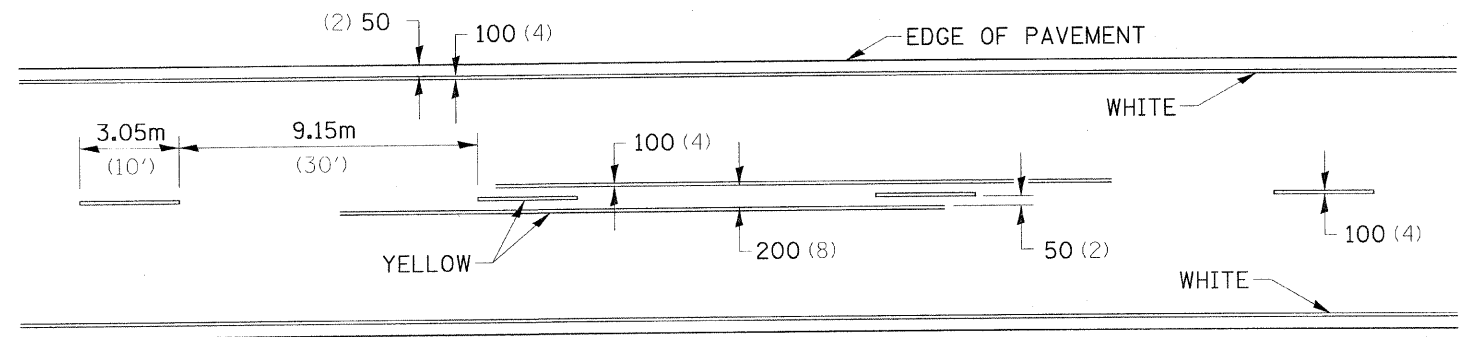


* REDUCE TO 12.2m (40') O.C. ON CURVES WHERE ADVISORY SPEEDS ARE 15Km/H (10MPH) LOWER THAN POSTED SPEEDS.
** USE DOUBLE MARKERS WHEN ADT ≥ 25,000

MULTI-LANE / UNDIVIDED

SYMBOLS

TYPICAL PAVEMENT MARKING FOR TWO LANE SECTION - NO PASSING ZONES



FILE NAME = L:\Jobs\2009\09\1035858\Star\16th Avenue\16th Ave Final Layout 10.26.09.dgn

WILLET, HOFMANN & ASSOCIATES, INC.
CONSULTING ENGINEERS
809 East Second Street, Dixon, IL 61021
Phone 815.284.3381 Fax 815.284.3385
Design Firm 184-00918
www.willett-hofmann.com

DESIGNED - BDF	REVISED -
DRAWN - JDH	REVISED -
CHECKED - BDF	REVISED -
DATE - 10/30/2009	REVISED -

CITY OF ROCK FALLS, ILLINOIS
12TH AVENUE - ROCK RIVER BRIDGE to W. 10TH ST.

TYPICAL PAVEMENT MARKINGS, DS 41.1

SCALE: SHEET NO. 3 OF 3 SHEETS

F.A. RTE.	SECTION	COUNTY	TOTAL SHEETS	SHEET NO.
	09-00147-00-RS	WHITESIDE	21	20
FED. ROAD DIST. NO. _ ILLINOIS FED. AID PROJECT			CONTRACT NO. 85499	