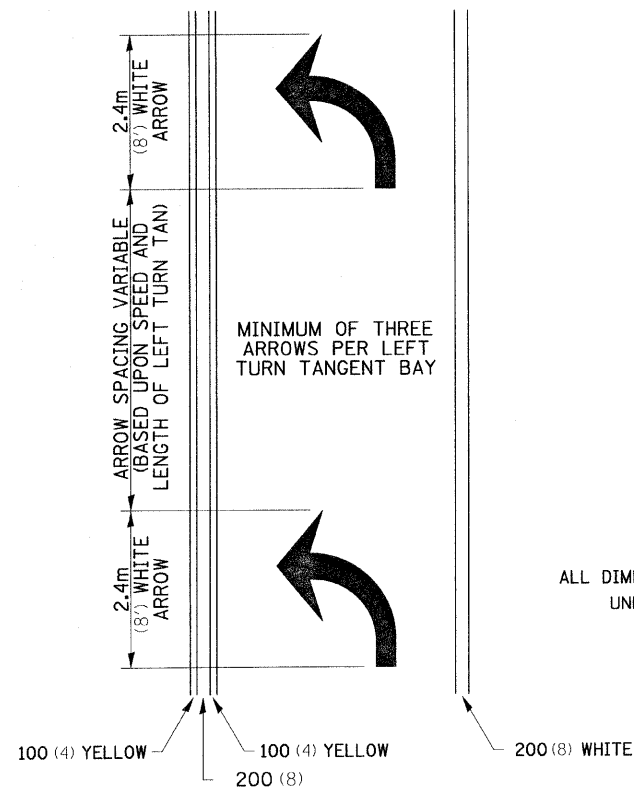


TYPICAL PAVEMENT MARKINGS

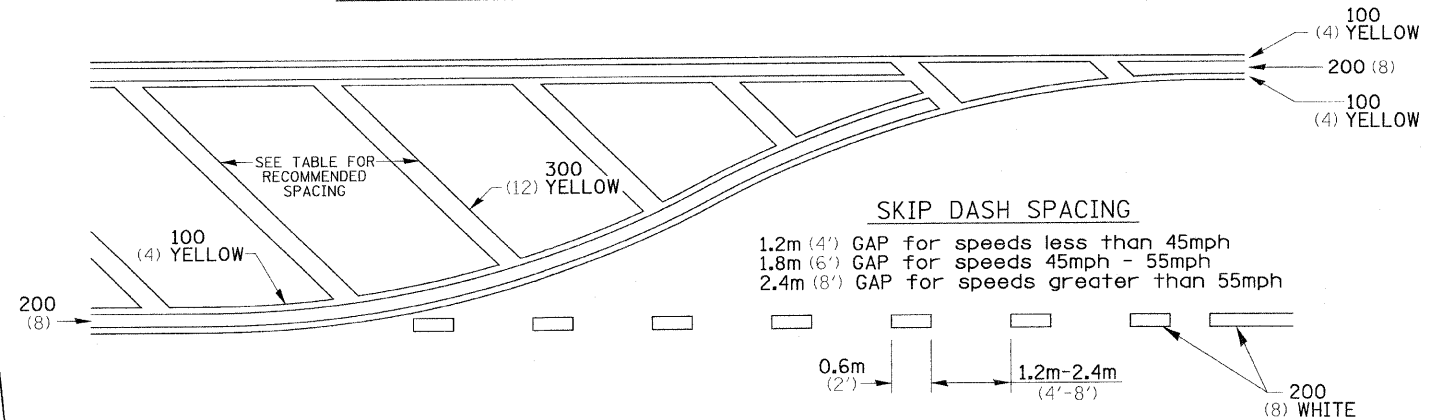
ARROW LAYOUT



- ▲ ONE-WAY AMBER MARKER
- △ ONE-WAY CRYSTAL MARKER
- ◆ TWO-WAY AMBER MARKER

ALL DIMENSIONS ARE IN MILLIMETERS (INCHES) UNLESS OTHERWISE NOTED.

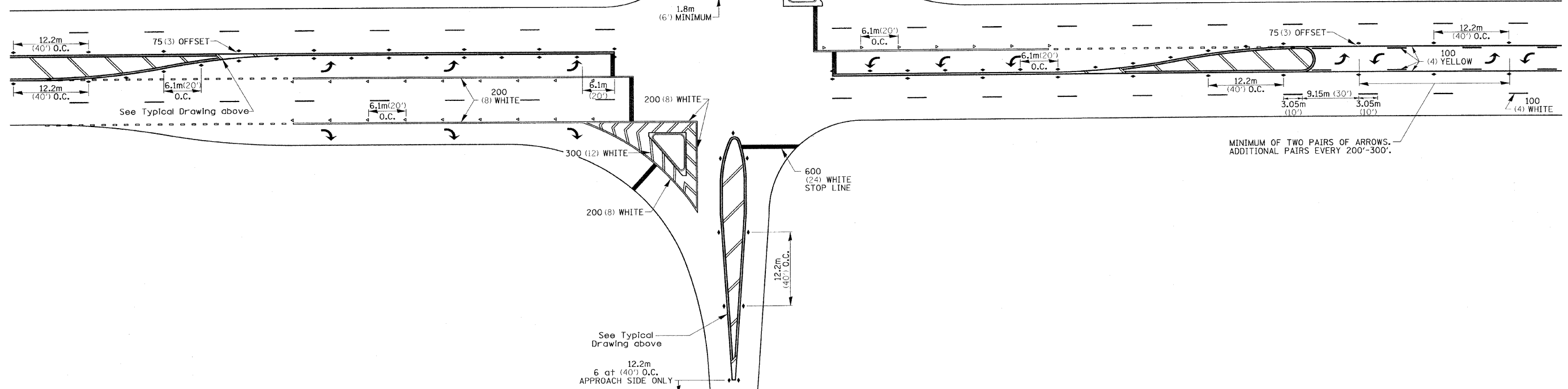
TYPICAL PAVEMENT MARKING FOR FLUSH MEDIAN



RECOMMENDED SPACING BETWEEN DIAGONALS (IN FEET)

Speed Limit Range	Continuous Median Area	Intersection Channelization	Objects (Islands)
less than 50Km/H (30MPH)	15.3m (50')	4.53m (15')	3.05m (10')
50-60Km/H (30-40MPH)	22.9m (75')	6.1m (20')	4.53m (15')
70Km/H (45MPH) & over	22.9m (75')	9.05m (30')	6.1m (20')

NOTE: If the spacing recommended in the Table does not permit at least five diagonal lines in the area being marked, the spacing from the next lowest speed range should be used. The recommended spacing is measured parallel to the pavement center line.



WILLET, HOFMANN & ASSOCIATES, INC.
 CONSULTING ENGINEERS
 809 East Second Street, Dixon, IL 61021
 Phone 815.284.3381 Fax 815.284.3385
 Design Firm # 184-00918
 www.willett-hofmann.com

DESIGNED - BDF	REVISED -
DRAWN - JDH	REVISED -
CHECKED - BDF	REVISED -
DATE - 10/30/2009	REVISED -

CITY OF ROCK FALLS, ILLINOIS
12TH AVENUE - ROCK RIVER BRIDGE to W. 10TH ST.

TYPICAL PAVEMENT MARKINGS, DS 41.1
 SCALE: SHEET NO. 2 OF 3 SHEETS

F.A. RTE.	SECTION	COUNTY	TOTAL SHEETS	SHEET NO.
	09-00130-00-RS	WHITESIDE	21	19
FED. ROAD DIST. NO. [ILLINOIS] FED. AID PROJECT				

FILE NAME