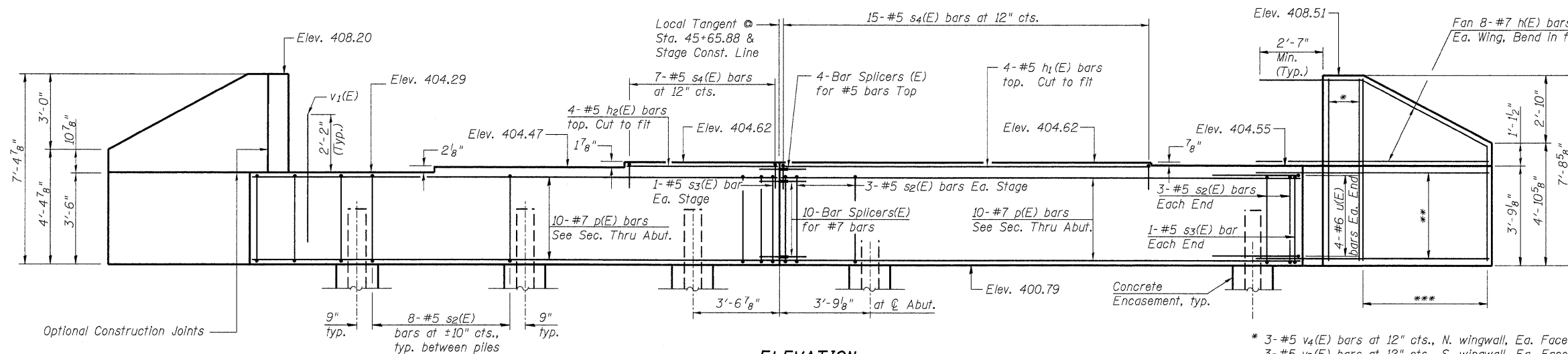
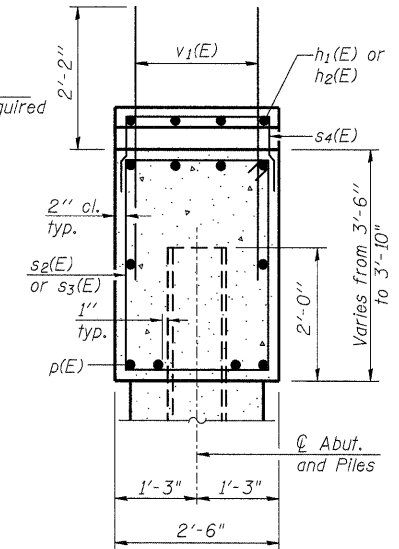


STATE OF ILLINOIS
DEPARTMENT OF TRANSPORTATION

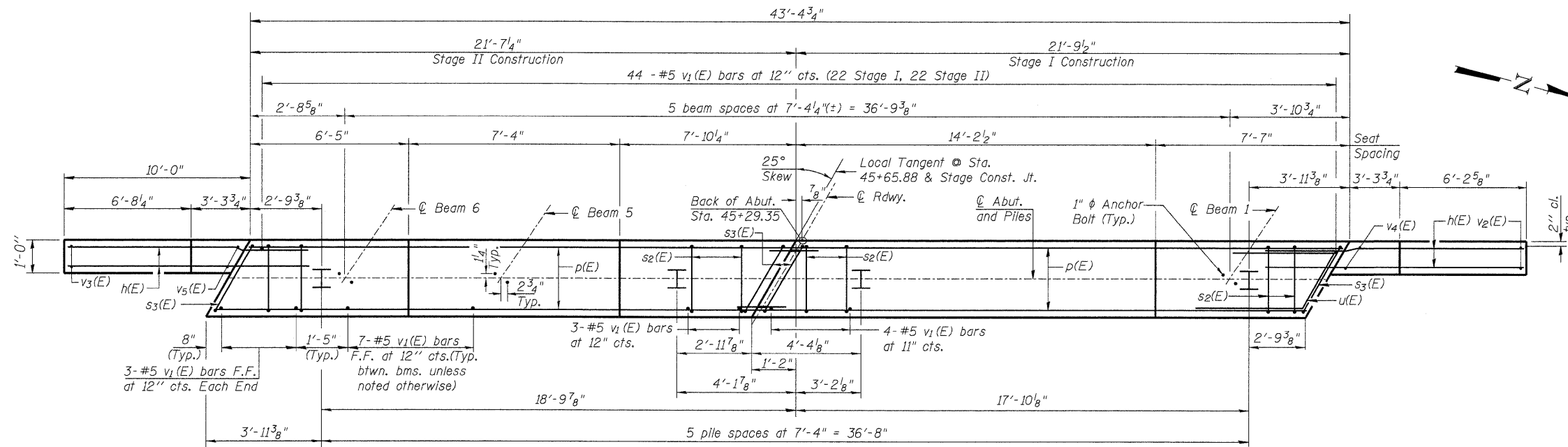


ELEVATION
(Looking West)

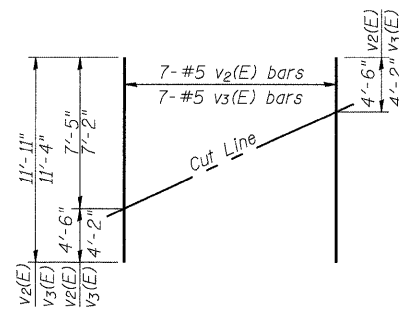


SEC. THRU ABUT.
(Dimensions at Rt. L's)

- * 3-#5 v4(E) bars at 12" cts., N. wingwall, Ea. Face
- 3-#5 v5(E) bars at 12" cts., S. wingwall, Ea. Face
- ** 8-#7 h(E) bars at 5 1/2" cts., N. wingwall, Ea. Face
- 7-#7 h(E) bars at 5 1/2" cts., S. wingwall, Ea. Face
- *** 7-#5 v2(E) bars at 12" cts., N. wingwall, Ea. Face
- 7-#5 v3(E) bars at 12" cts., S. wingwall, Ea. Face
(See Field Cutting Diagram)

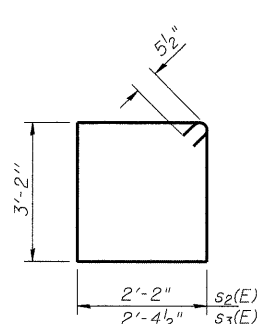


PLAN

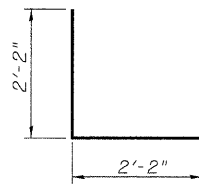


FIELD CUTTING DIAGRAM

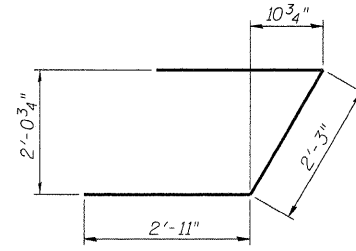
Order v2(E) and v3(E) full length. Cut as shown and use remainder of bars in opposite face.



BARS s2(E) & s3(E)



BAR s4(E)



BAR u(E)

Notes:
Pour steps monolithically with cap.
Space reinforcement in cap to miss Anchor Bolts.

PILE DATA

Type: Steel HP12x63
Nominal Required Bearing: 497 kips
Factored Resistance Available: 249 kips
Est. Length: 38'
No. Production Piles: 5
No. Test Piles: 1

BILL OF MATERIAL

Bar	No.	Size	Length	Shape
h(E)	62	#7	12'-6"	—
h1(E)	4	#5	15'-1"	—
h2(E)	4	#5	7'-7"	—
p(E)	20	#7	21'-5"	—
s2(E)	44	#5	11'-7"	□
s3(E)	4	#5	12'-0"	□
s4(E)	22	#5	6'-6"	□
u(E)	8	#6	8'-1"	J
v1(E)	85	#5	4'-4"	—
v2(E)	7	#5	11'-11"	—
v3(E)	7	#5	11'-4"	—
v4(E)	6	#5	7'-5"	—
v5(E)	6	#5	7'-1"	—
Structure Excavation		Cu. Yd.	124.5	
Concrete Structures		Cu. Yd.	20.0	
Reinforcement Bars, Epoxy Coated		Pound	4030	
Furnishing Steel Piles HP 12x63		Foot	190	
Test Pile, Steel HP 12x63		Each	1	
Driving Piles		Foot	190	
Concrete Encasement		Cu. Yd.	2.1	
Anchor bolts, 1"		Each	12	

For details of Bar Splicers, see sheet 15 of 17.
For details of piles and Concrete Encasement, see sheet 16 of 17.
For details of Integral Abutment Bearing, see Sheet 12 of 17.
For drainage details, see Section Thru Abutment on sheet 2 of 17.

**WEST ABUTMENT
STRUCTURE NO. 028-0084**

 LIN ENGINEERING, LTD. Consulting Engineers Chatham, Illinois	SHEET NO. 13	F.A.P. RTE.	SECTION	COUNTY	TOTAL SHEETS	SHEET NO.
	17 SHEETS	869	101B-1	FRANKLIN	40	28
FED. ROAD DIST. NO.		ILLINOIS		FED. AID PROJECT		
		CONTRACT NO. 78086				