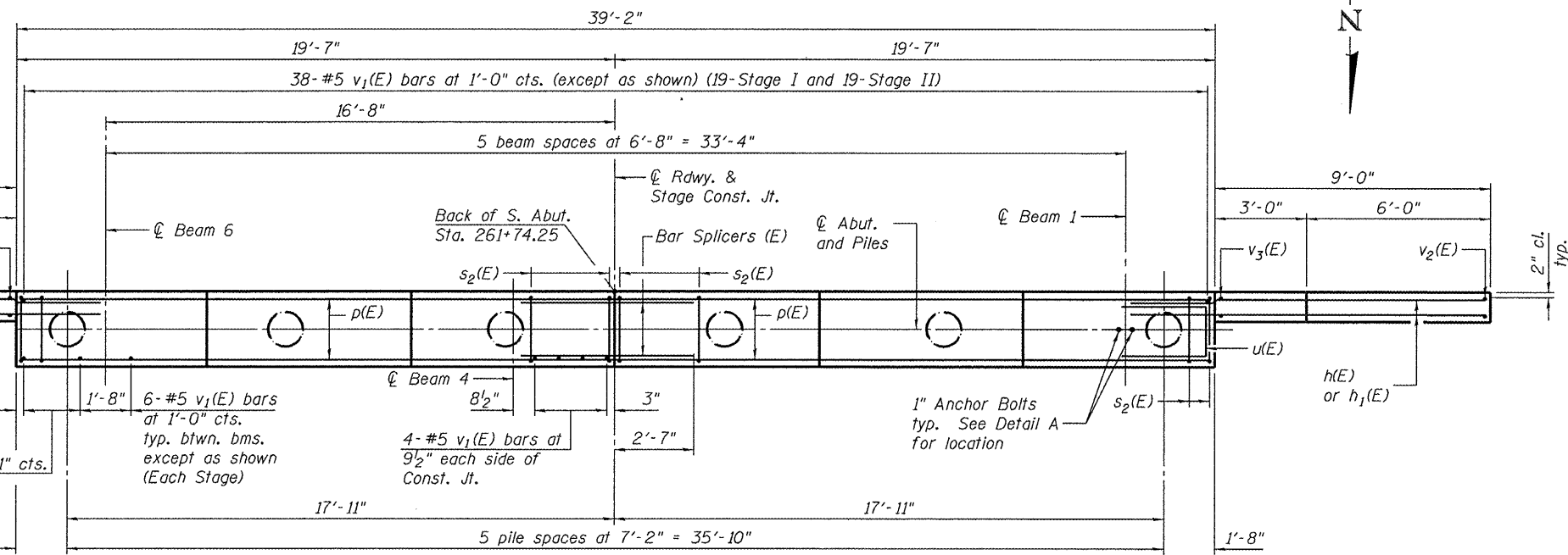
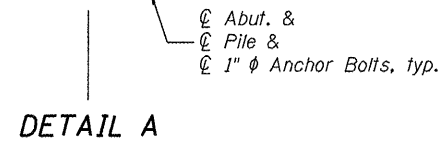
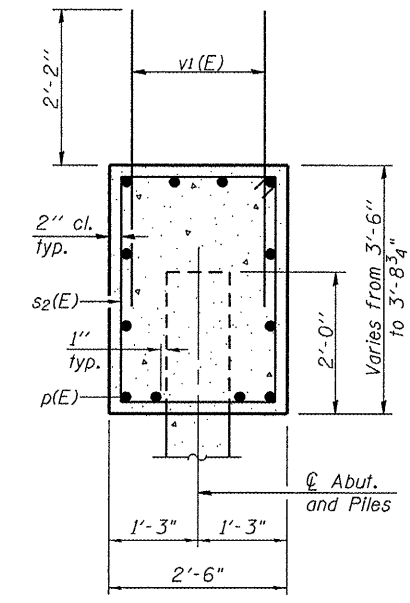
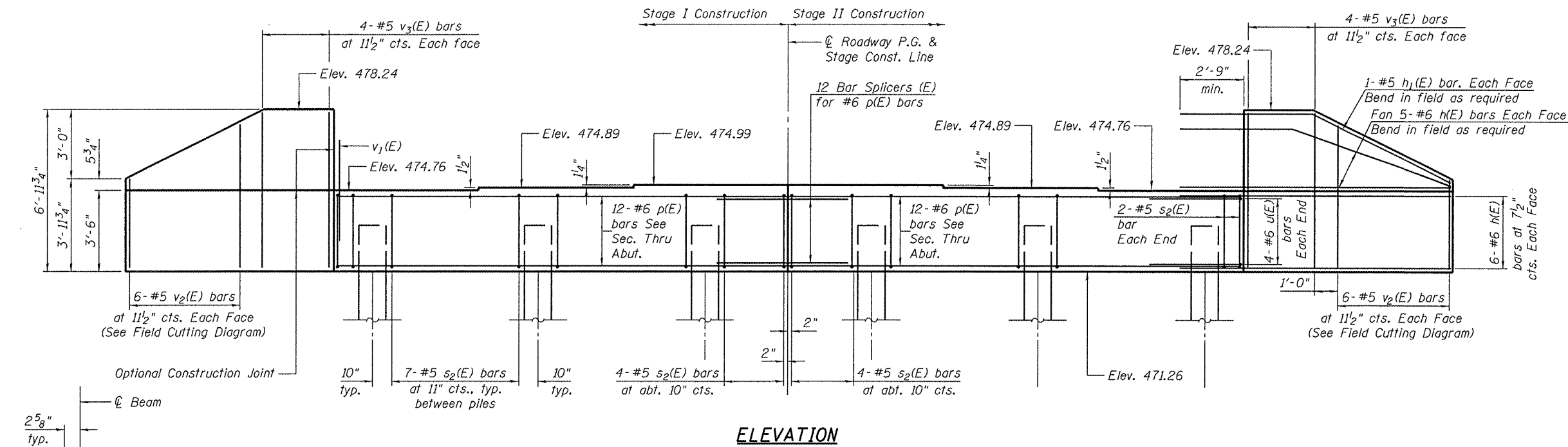


STATE OF ILLINOIS
DEPARTMENT OF TRANSPORTATION

Note: Four steps monolithically with cap.



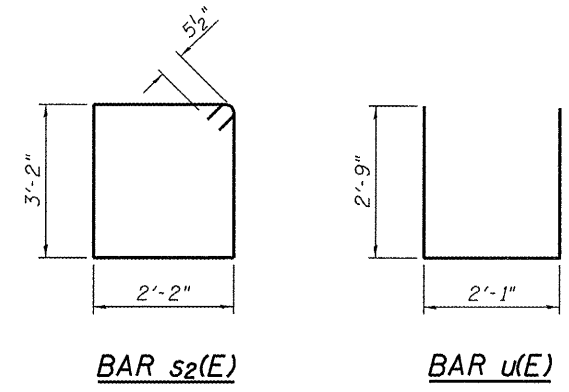
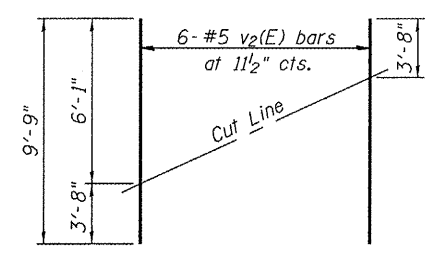
BILL OF MATERIAL

| Bar | No. | Size | Length | Shape | |
|--|-----|------|--------|---------|------|
| h(E) | 44 | #6 | 12'-0" | — | |
| h ₁ (E) | 4 | #5 | 12'-4" | — | |
| p(E) | 24 | #6 | 19'-3" | — | |
| s ₂ (E) | 40 | #5 | 11'-7" | □ | |
| u(E) | 8 | #6 | 7'-7" | ⊔ | |
| v ₁ (E) | 76 | #5 | 4'-4" | — | |
| v ₂ (E) | 12 | #5 | 9'-9" | — | |
| v ₃ (E) | 16 | #5 | 6'-7" | — | |
| Structure Excavation | | | | Cu. Yd. | 74 |
| Concrete Structures | | | | Cu. Yd. | 17.1 |
| Reinforcement Bars, Epoxy Coated | | | | Pound | 2690 |
| Furnishing Metal Shell Piles 14"x 0.250" | | | | Foot | 285 |
| Driving Piles | | | | Foot | 285 |
| Test Pile Metal Shells | | | | Each | 1 |

For details of Bar Splicers, see sheet 21 of 25.
For details of piles, see sheet 20 of 25.

PILE DATA

Type: Metal Shell - 14 in. dia. x 0.25 in. walls
Nominal Required Bearing: 413 kips
Factored Resistance Available: 207 kips
Est. Length: 57 ft.
No. Production Piles: 5
No. Test Piles: 1



| |
|--------------|
| DESIGNED CTW |
| CHECKED SEC |
| DRAWN DP |
| CHECKED SEC |

AI-0 10-1-08

**SOUTH ABUTMENT
STRUCTURE NO. 102-0068**

| | | | | | |
|--|-------------|--|---------------------------|--|-----------|
| EFK Moen, LLC Civil Engineering Design | | 331 Salem Place Suite 225 Fairview Heights, IL 62208 | | Phone 618-206-4250 Fax 618-206-4253 | |
| SHEET NO. 17 | F.A.S. RTE. | SECTION | COUNTY | TOTAL SHEETS | SHEET NO. |
| 26 SHEETS | 2370 | 29BR-1 | WOODFORD | 76 | 39 |
| FED. ROAD DIST. NO. | | | ILLINOIS FED. AID PROJECT | | |
| CONTRACT NO. 68466 | | | | | |