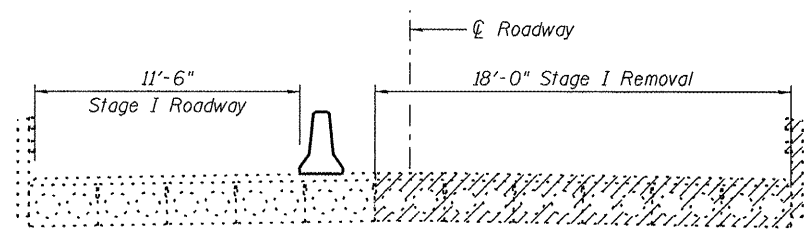
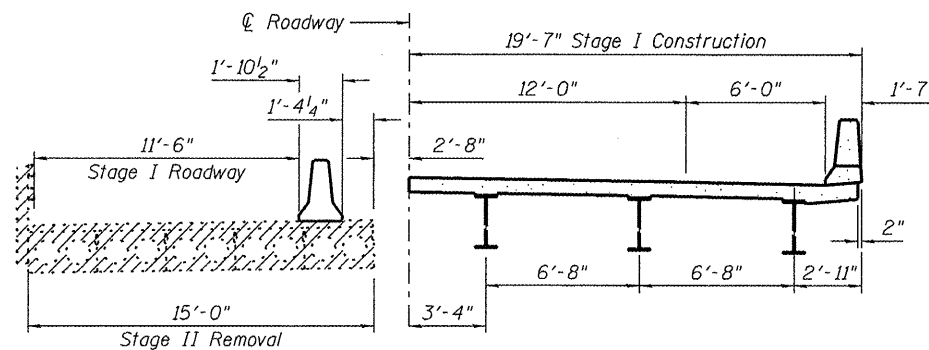


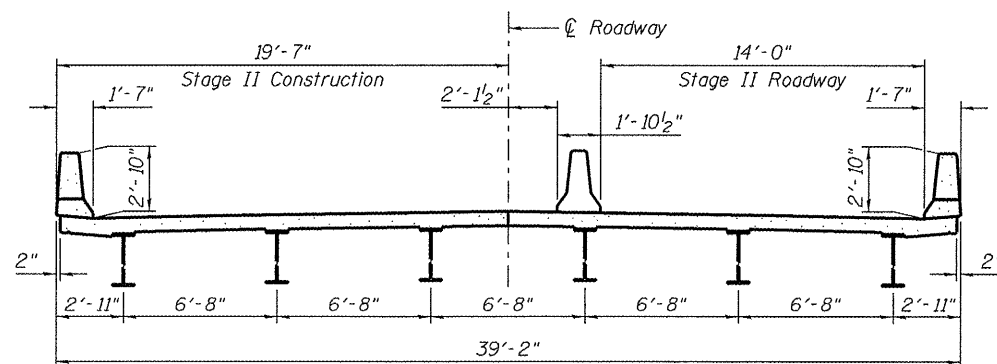
STATE OF ILLINOIS  
DEPARTMENT OF TRANSPORTATION



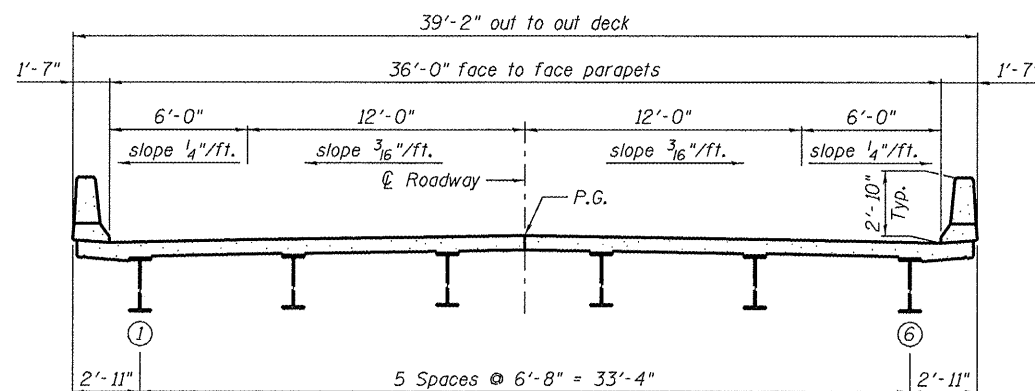
**STAGE I REMOVAL**



**STAGE I CONSTRUCTION**



**STAGE II CONSTRUCTION**



**FINAL SECTION**

Notes:  
For details of Temporary Concrete Barrier, see sheet 5 of 25.  
For quantity and location of Temporary Construction Barrier, see Roadway Plans.  
All staging cross section are looking North.  
Hatched area indicates Removal of Existing Structure.

DESIGNED CTW
CHECKED CDL
DRAWN CTW
CHECKED CDL

**STAGE CONSTRUCTION DETAILS (1 OF 2)**

**STRUCTURE NO. 102-0068**

SHEET NO. 3  26 SHEETS	<b>EFK Moen, LLC</b> Civil Engineering Design		331 Salem Place Suite 225 Fairview Heights, IL 62208		Phone 618-206-4250 Fax 618-206-4253	
	F.A.S. RTE.	SECTION	COUNTY	TOTAL SHEETS	SHEET NO.	
	2370	29BR-1	WOODFORD	76	25	
FED. ROAD DIST. NO.			ILLINOIS FED. AID PROJECT			
			CONTRACT NO. 68466			