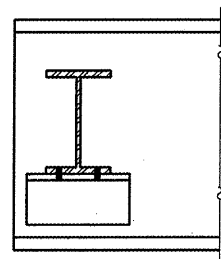
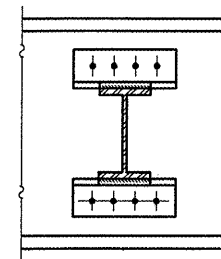
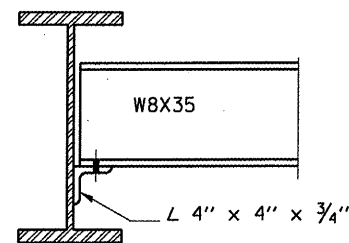


PLAN

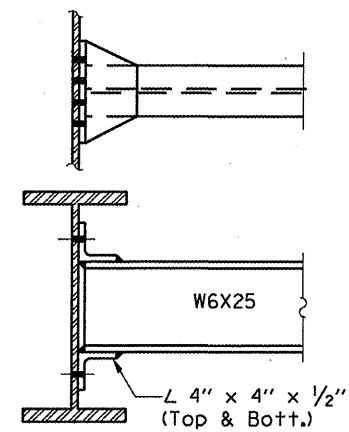
All Beams W21X101



DIAPHRAGM D



DIAPHRAGM D1



THIS SHEET FOR INFORMATION ONLY

FILE NAME =	USER NAME = woodshankr1	DESIGNED - RON WOODSHANK	REVISED -
c:\pwwork\pww\DOT\WOODSHANKR1\d0138620	0366977-details.dgn	DRAWN - RON WOODSHANK	REVISED -
	PLOT SCALE = 200.0000' / IN.	CHECKED -	REVISED -
	PLOT DATE = Oct 21, 2009 - 10:25:37 AM	DATE -	REVISED -

STATE OF ILLINOIS
DEPARTMENT OF TRANSPORTATION

EXISTING STRUCTURE PLANS SN 027-0071	
SCALE: -----	SHEET NO. 3 OF 3 SHEETS

F.A.P. RTE.	SECTION	COUNTY	TOTAL SHEETS	SHEET NO.
796	1106BRBP	FORD	7	7
FED. ROAD DIST. NO. ILLINOIS			CONTRACT NO. 66977	