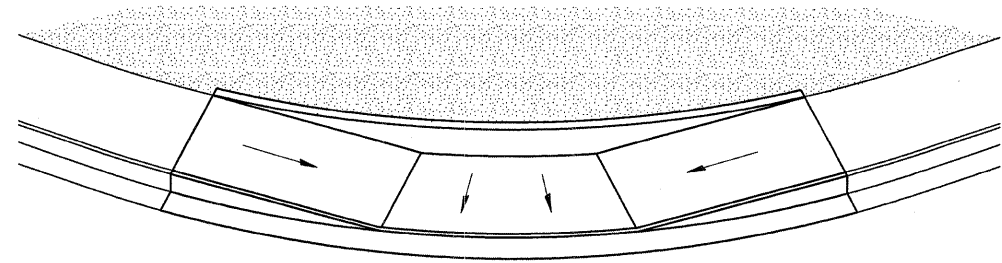


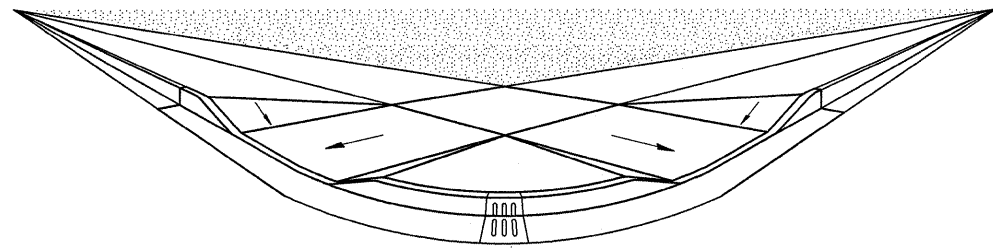
LEGEND
 GRASS

ADA SIDEWALK ACCESSIBILITY RAMPS
 PERSPECTIVE WITH SIDE CURBS



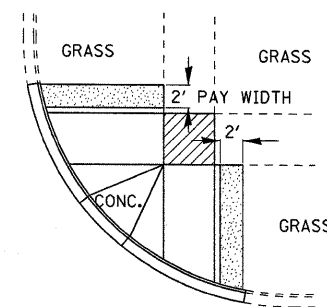
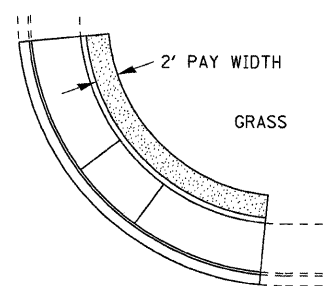
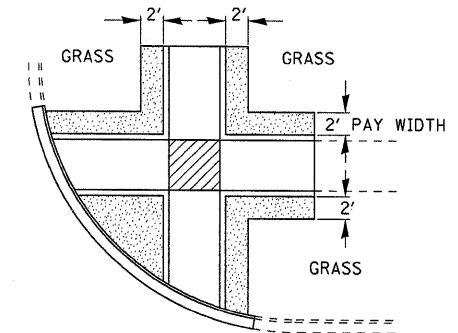
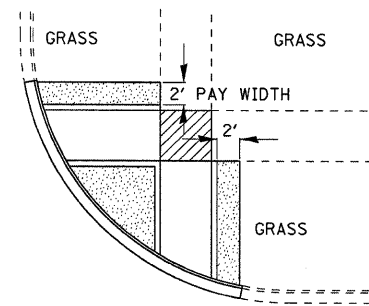
LEGEND
 GRASS

ADA SIDEWALK ACCESSIBILITY RAMPS
 DUAL DIRECTION RAMP PERSPECTIVE



LEGEND
 GRASS

ADA SIDEWALK ACCESSIBILITY RAMPS
 PERSPECTIVE WITH SIDE FLARES



LEGEND
 GRASS

ADA SIDEWALK ACCESSIBILITY RAMPS
 PERSPECTIVE WITH SIDE CURBS

ADA SIDEWALK ACCESSIBILITY RAMPS
 TYPICAL SODDING DETAILS FOR SIDEWALK RAMPS

LEGEND
 SOD

FILE NAME =	USER NAME = verdinemi	DESIGNED -	REVISED -
ct:\pw_work\VPWIDOT\VERDINEMI\d0104085\d06746-sht-cover.dgn		DRAWN -	REVISED -
		CHECKED -	REVISED -
		DATE -	REVISED -

STATE OF ILLINOIS
 DEPARTMENT OF TRANSPORTATION

DETAILS

SCALE: NONE SHEET NO. 2 OF 2 SHEETS STA. TO STA.

F.A.P. RTE.	SECTION	COUNTY	TOTAL SHEETS	SHEET NO.
553	(128)RS-4	DEKALB	13	13
CONTRACT NO. 66746			ILLINOIS FED. AID PROJECT	