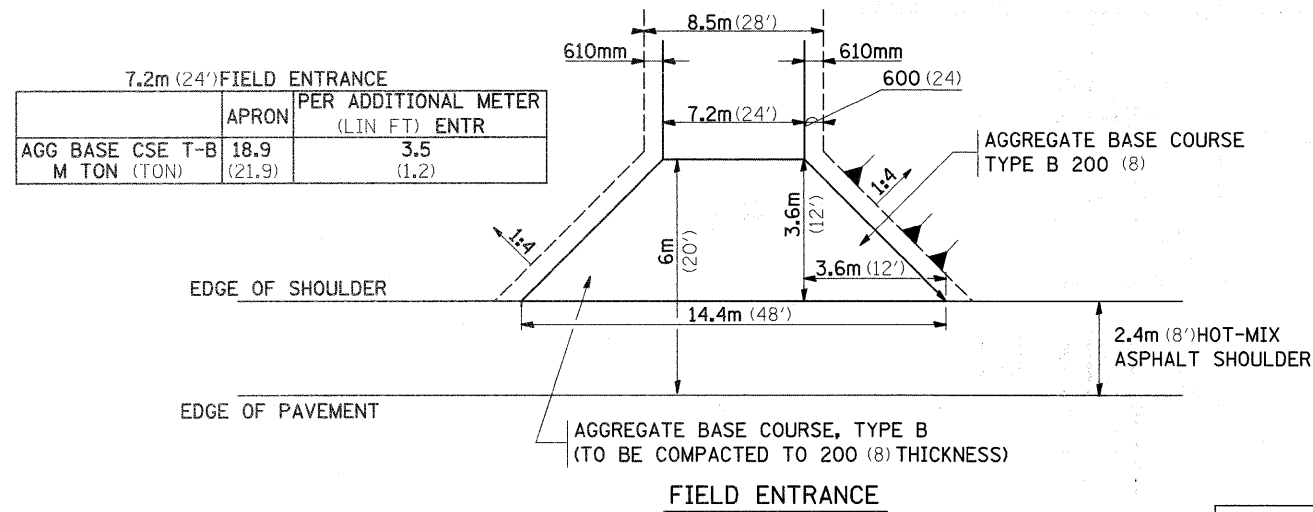


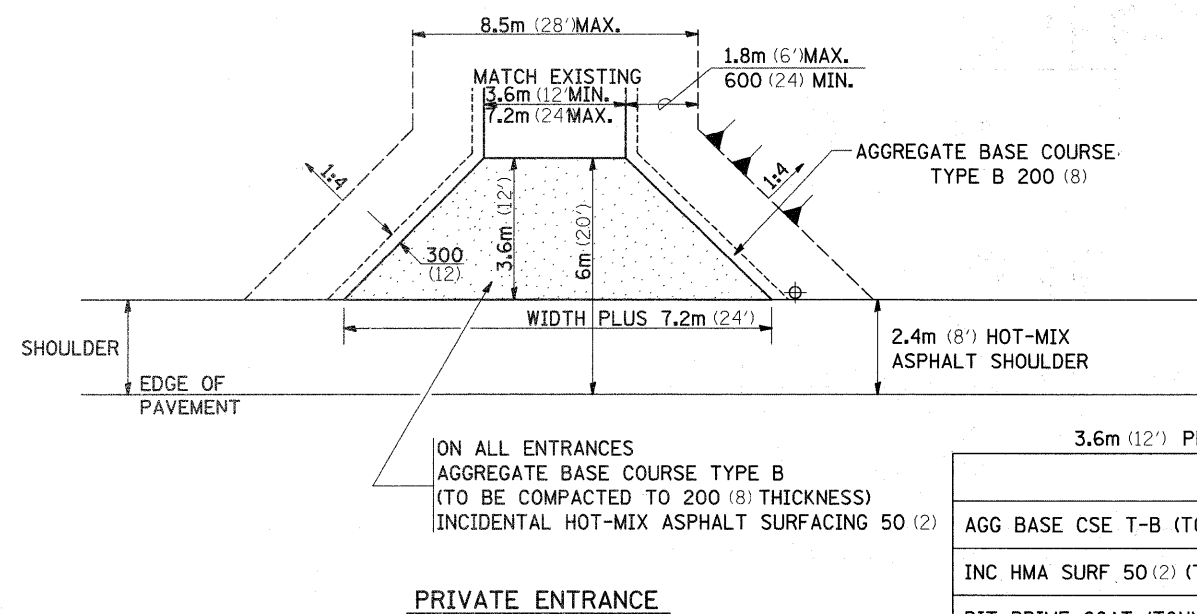
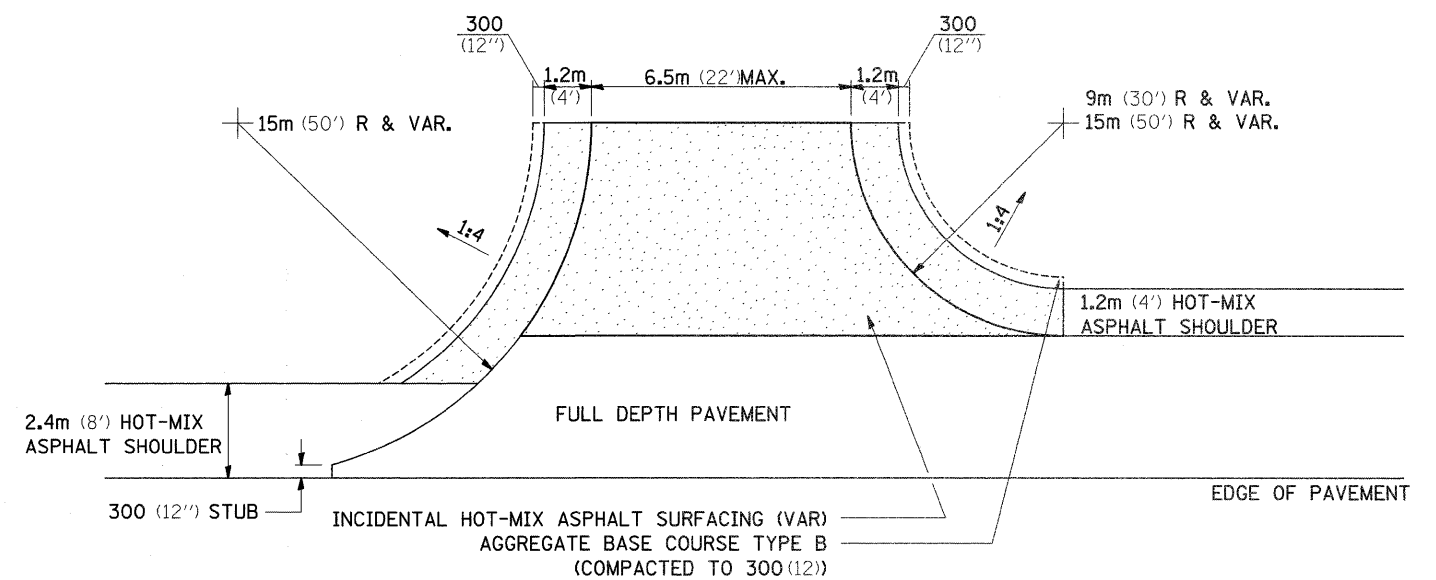
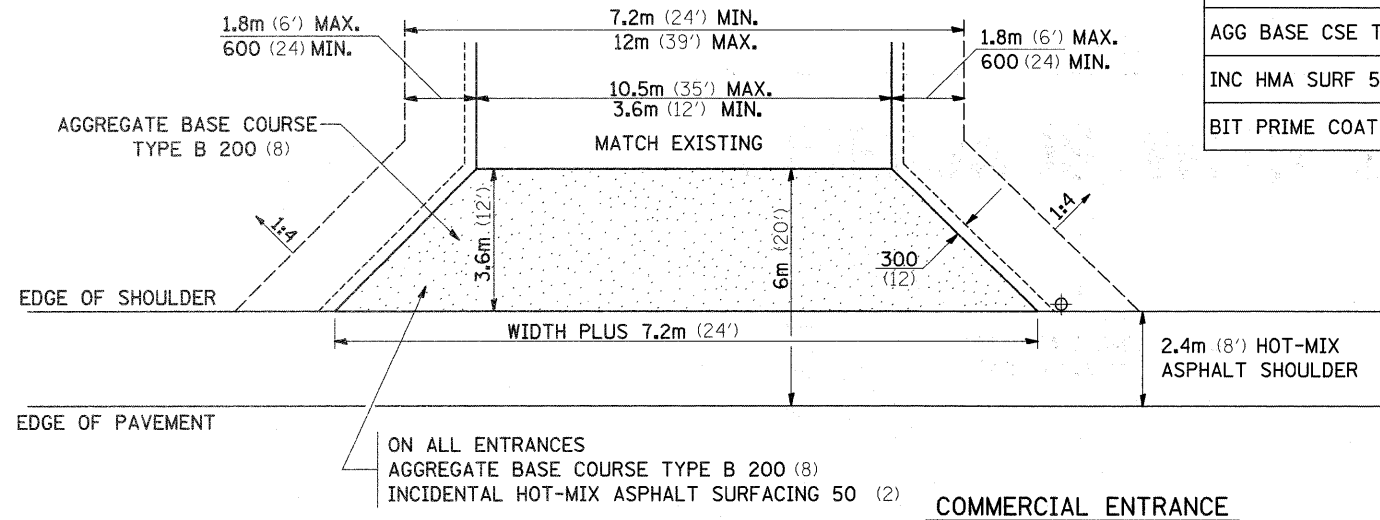
ENTRANCE AND SIDEROADS WITH 2.4m (8') HOT-MIX ASPHALT SHOULDERS



	COMMERCIAL ENTRANCE		PER METER ENTR (FOOT)	
	3.6m (12')	10.5m (35')	3.6m (12')	10.5m (35')
AGG BASE CSE T-B (TON)	14.3 (15.8)	27.0 (29.8)	0.64 (0.70)	1.70 (1.87)
INC HMA SURF 50 (2) (TON)	3.3 (3.6)	6.35 (7.0)	0.14 (0.15)	0.40 (0.44)
BIT PRIME COAT (TON)	0.042 (0.046)	0.082 (0.090)	0.002 (0.002)	0.005 (0.006)

NOTE

- ① ALL PE & CE ARE TO BE INCIDENTAL HOT-MIX ASPHALT SURFACED TO RIGHT OF WAY LINE. AREA BEHIND RIGHT OF WAY SHALL MATCH EXISTING SURFACE.
- ② FE ARE TO BE AGGREGATE TO RIGHT OF WAY OR TOUCH DOWN, WHICH EVER IS GREATEST.
- ③ QUANTITIES ARE CALCULATED WITH 2.4m HOT-MIX ASPHALT SHOULDER IN PLACE. AGGREGATE QUANTITIES SHOWN ARE FOR NEW CONSTRUCTION.
- ④ EXCAVATION REQUIRED FOR PLACEMENT OF AGGREGATE BASE COURSE SHALL BE CONSIDERED INCLUDED TO THE AGGREGATE BASE COURSE.
- ⑤ ALL DIMENSIONS ARE IN MILLIMETERS (INCHES) UNLESS OTHERWISE NOTED.



	3.6m (12') PRIVATE ENTRANCE		PER METER ENTR (FOOT)	
	3.6m (12')	7.2m (24')	3.6m (12')	7.2m (24')
AGG BASE CSE T-B (TON)	14.3 (15.8)	21.0 (23.1)	0.64 (0.70)	1.20 (1.32)
INC HMA SURF 50 (2) (TON)	3.3 (3.6)	4.9 (5.4)	0.14 (0.15)	0.27 (0.30)
BIT PRIME COAT (TON)	0.042 (0.046)	0.063 (0.069)	0.002 (0.002)	0.004 (0.004)

FILE NAME =	USER NAME = williamsj	DESIGNED -	REVISED - 1-15-08
c:\pwwork\FWIDOT\WILLIAMSJJ\dms37299\21107spl.dgn		DRAWN -	REVISED -
		CHECKED -	REVISED -
		DATE -	REVISED -

STATE OF ILLINOIS
DEPARTMENT OF TRANSPORTATION

REGION 2 / DISTRICT 2 STANDARD

SCALE:	SHEET NO. 1 OF 1 SHEETS	STA. TO STA.	F.A.P. RTE. 650	SECTION 104T-2	COUNTY JO DAVIESS	TOTAL SHEETS 53	SHEET NO. 37
--------	-------------------------	--------------	-----------------	----------------	-------------------	-----------------	--------------