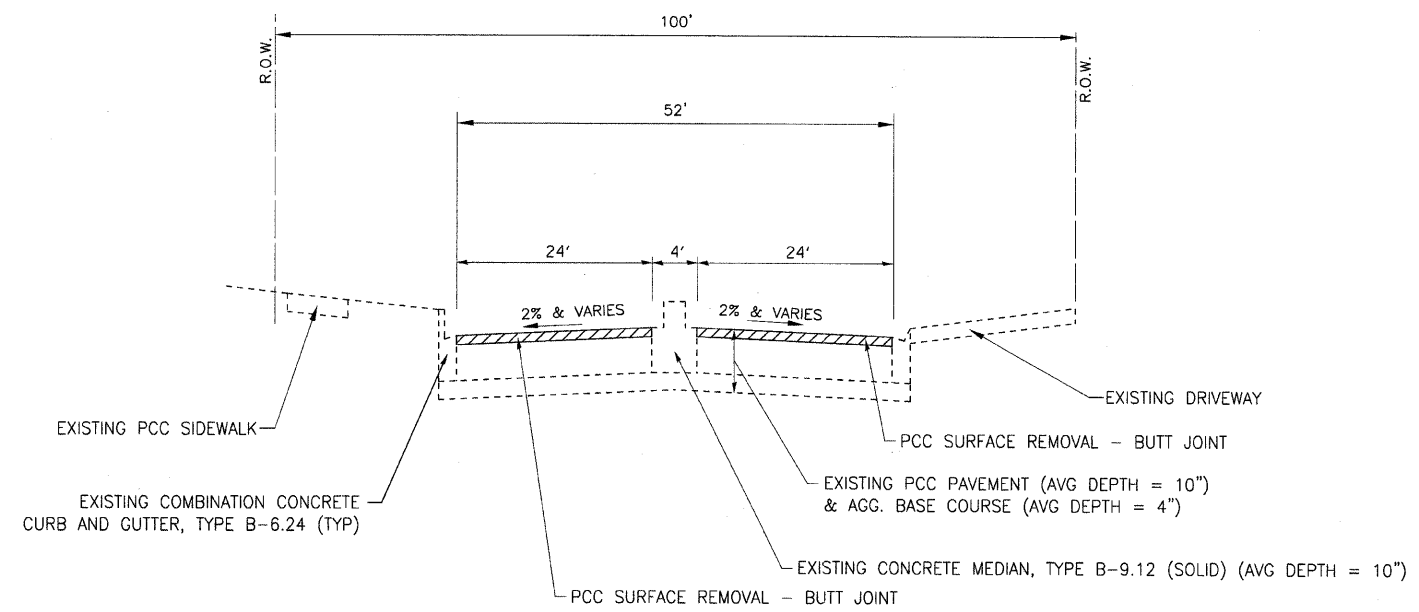
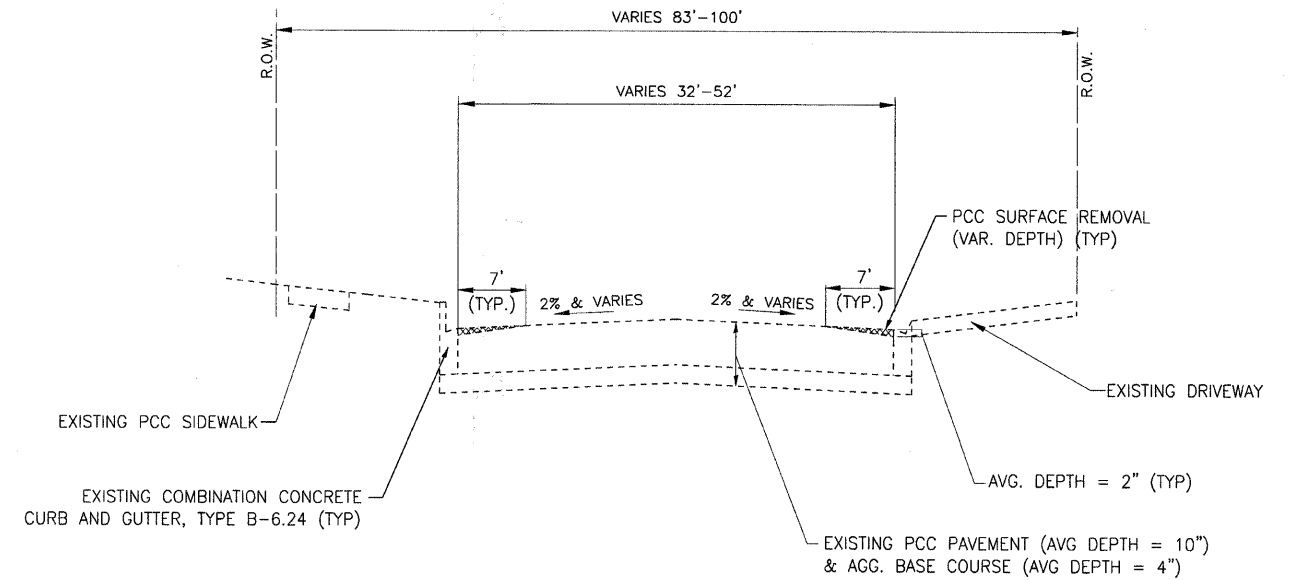


F.A.U. RTE.	SECTION	COUNTY	TOTAL SHEETS	SHEET NO.
09-00094-00-RS		COOK	17	4
STA. TO STA.				
FED. ROAD DIST. NO.	ILLINOIS	FED AID PROJECT		
C-91-742-09		ARA-9003-(375)		

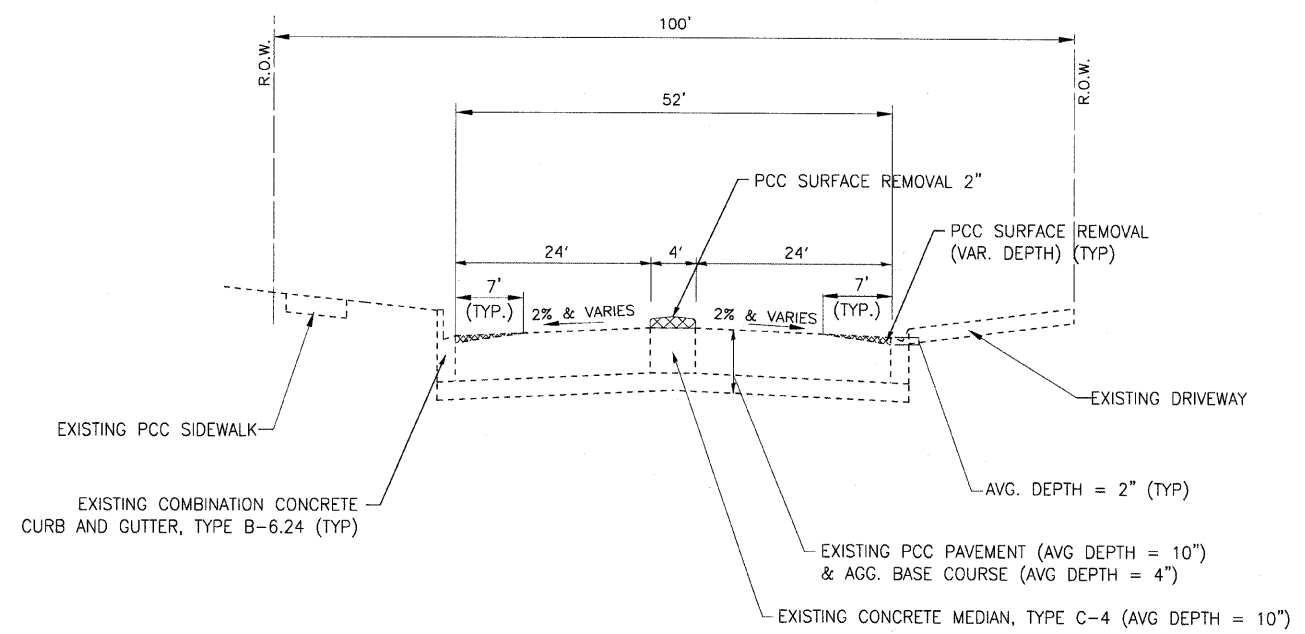
\*FAU 1020 LARAMIE AVENUE  
CONTRACT NO. 63322



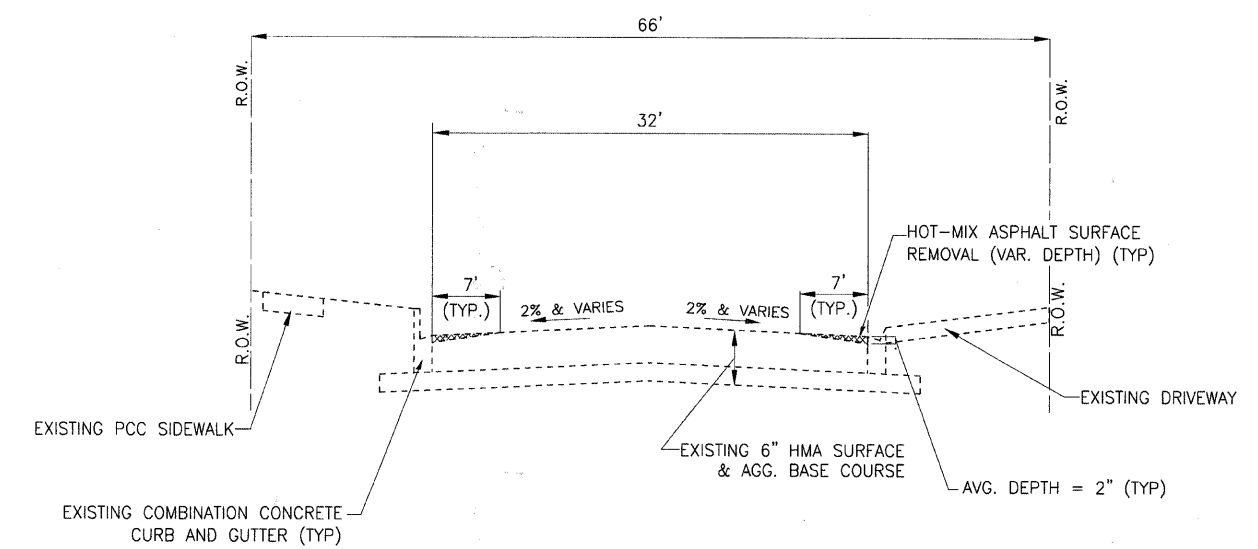
**EXISTING TYPICAL SECTION**  
LARAMIE AVENUE  
STA. 10+50 TO STA. 11+10



**EXISTING TYPICAL SECTION**  
LARAMIE AVENUE  
STA. 12+48 TO STA. 16+02



**EXISTING TYPICAL SECTION**  
LARAMIE AVENUE  
STA. 11+10 TO STA. 12+48



**EXISTING TYPICAL SECTION**  
LARAMIE AVENUE  
STA. 16+02 TO STA. 36+56

COPYRIGHT © 2009 BY BAXTER & WOODMAN, INC.  
 STATE OF ILLINOIS - PROFESSIONAL DESIGN FIRM  
 LICENSE NO. 184-00191 - EXPIRES 4/30/2011  
 10/7/2009 10:28:11 PM



USER NAME = #USER#	DESIGNED - CAC	REVISED - PER IDOT 10-6-09
FILE NAME = 090312-ExTypSec.sht	DRAWN - BCD	REVISED -
PLOT DATE = 10/7/2009	CHECKED - TMS	REVISED -
	DATE - 8-19-09	REVISED -

**CITY OF OAK FOREST, ILLINOIS  
FAU 1020 LARAMIE AVENUE  
STP (LAPP) IMPROVEMENTS**

<b>EXISTING TYPICAL SECTIONS</b>	
SCALE: NONE	STA. TO STA.

F.A.U. RTE.	SECTION	COUNTY	TOTAL SHEETS	SHEET NO.
09-00094-00-RS		COOK	17	4
STA. TO STA.				
FED. ROAD DIST. NO.	ILLINOIS	CONTRACT NO. 63322		
		FED. AID PROJECT		