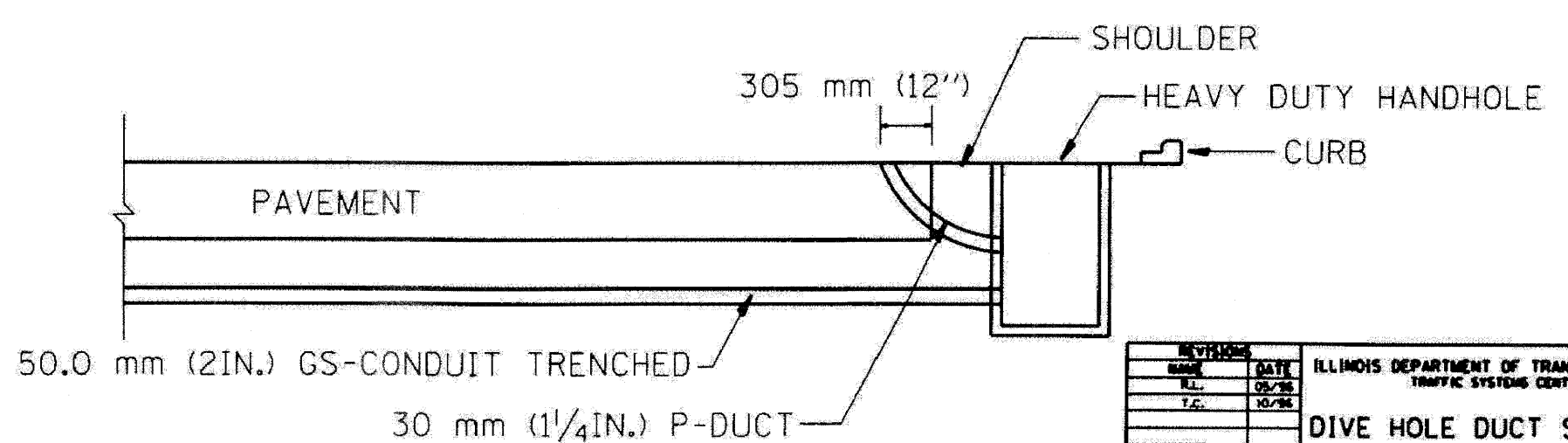
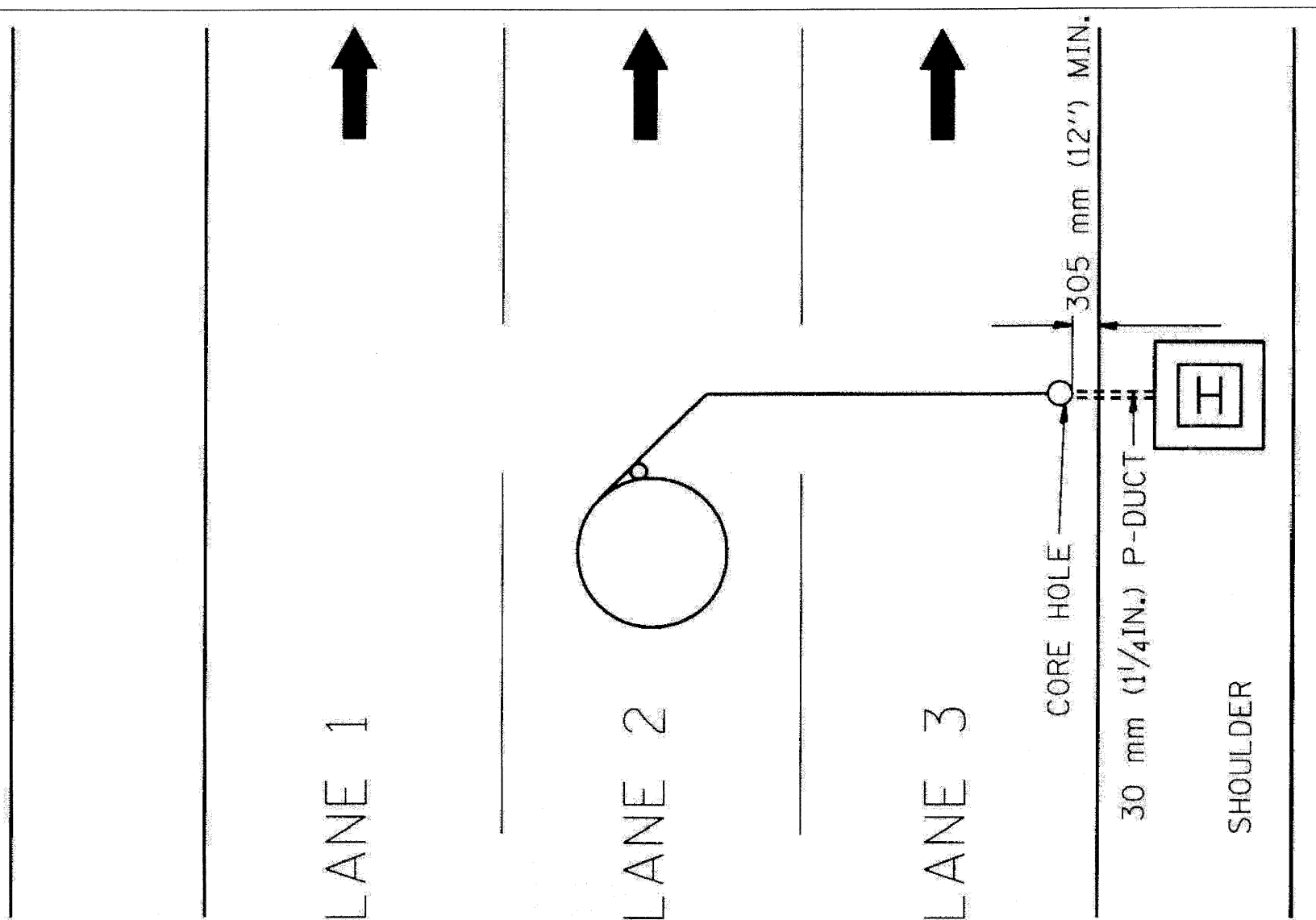


F.A.I. RTE.	SECTION	COUNTY	TOTAL SHEETS	SHEET NO.
STA.	TO STA.			
FED. ROAD DIST. NO.	ILLINOIS FED. AID PROJECT			



REVISION	DATE
RL	05/98
T.C.	10/98

ILLINOIS DEPARTMENT OF TRANSPORTATION
TRAFFIC SYSTEMS CENTER

DIVE HOLE DUCT SYSTEM

SCALE: NOT NONE
DATE: 11/7/98

DRAWN BY: G.M.
CHECKED BY: R.L.

TRAFFIC SYSTEMS CENTER (TY-1TSC-418#8)

FILE NAME =	DESIGNED - GHT	REVISED -
...prpIn_ABC.C2.TS.DET.13.dgn	DRAWN - TMB	REVISED -
USER NAME = tblank	CHECKED - MPW	REVISED -
PLOT DATE = 11/12/2009	DATE - 10/16/09	REVISED -

benesch

STATE OF ILLINOIS
DEPARTMENT OF TRANSPORTATION

TRAFFIC SYSTEMS CENTER
DETAIL SHEETS

SCALE: N.T.S. SHEET NO. 13 OF 16 SHEETS STA. TO STA.

F.A.I. RTE.	SECTION	COUNTY	TOTAL SHEETS	SHEET NO.
290	(3031.1, ETC., 3838)RS-5	COOK	298	280
FED. ROAD DIST. NO.			ILLINOIS FED. AID PROJECT	
			CONTRACT NO. 60052	