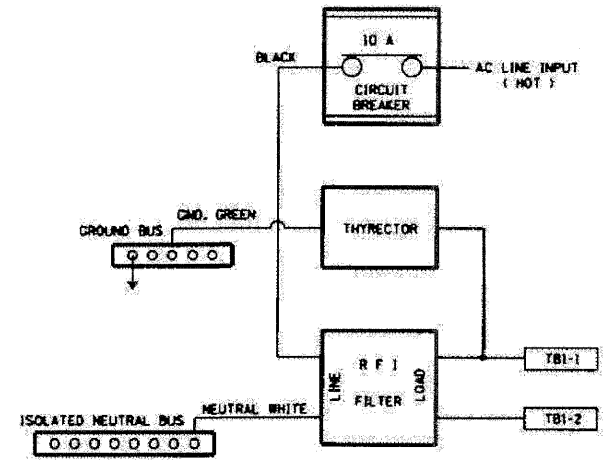
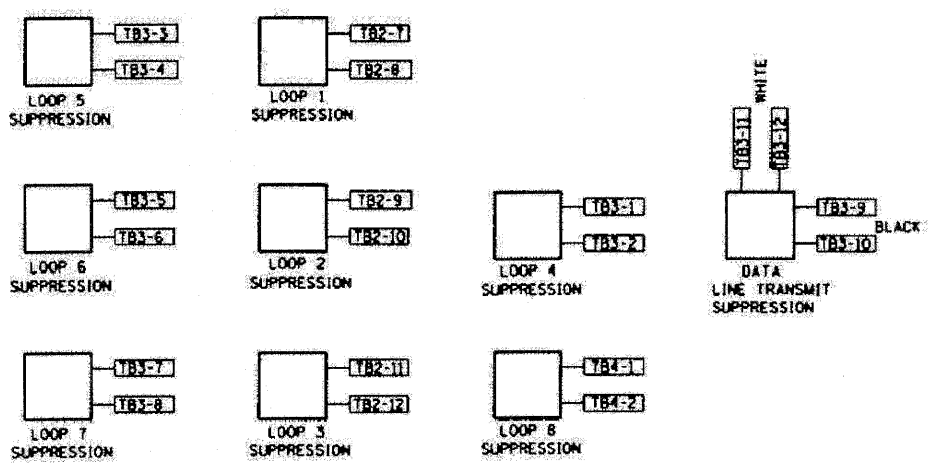
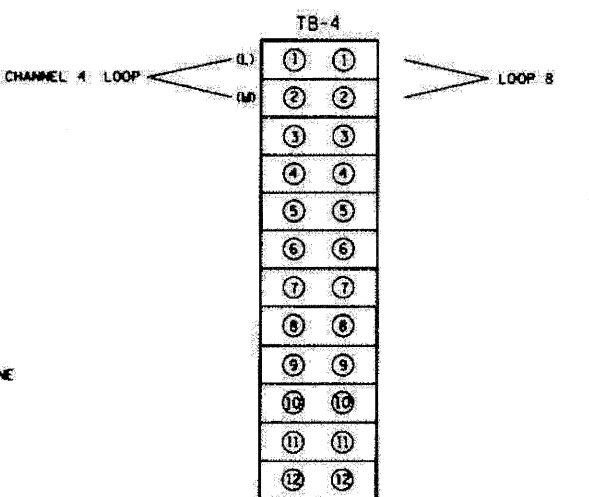
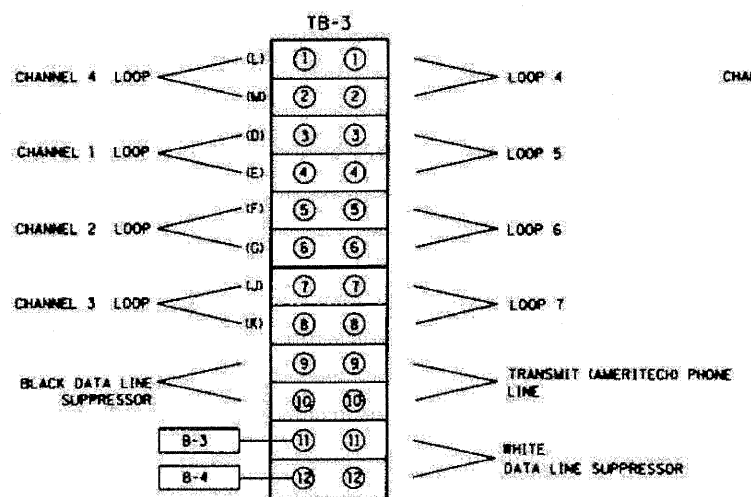
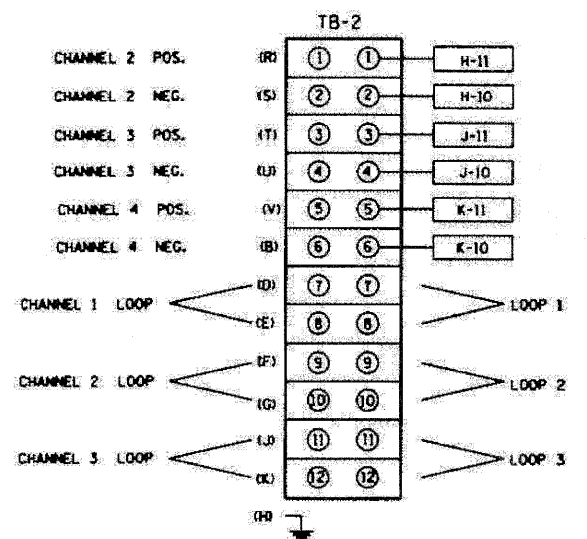
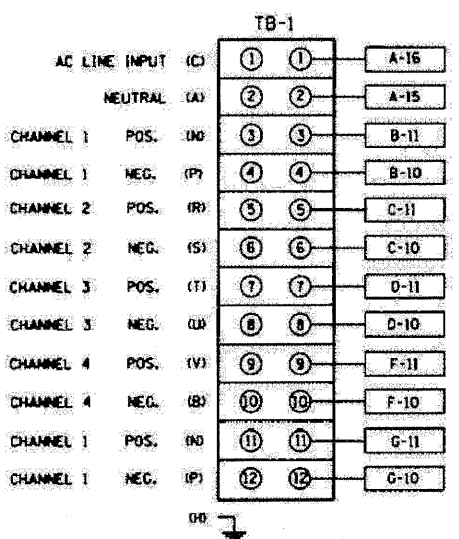
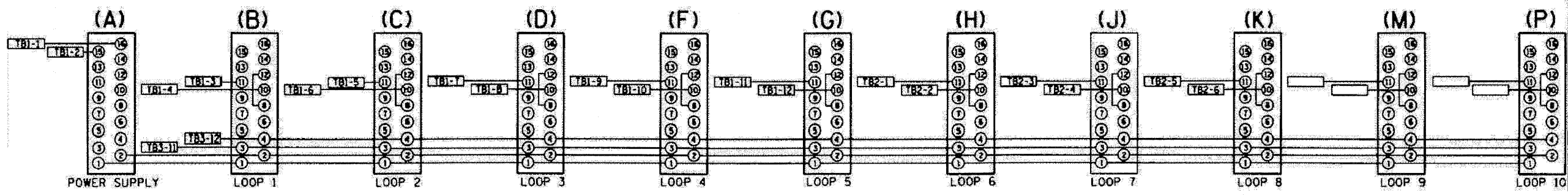


F.A.I. RTE.	SECTION	COUNTY	TOTAL SHEETS	SHEET NO.
STA. _____	TO STA. _____			
FED. ROAD DIST. NO. _____	ILLINOIS FED. AID PROJECT			

BACK VIEW OF TONE RACK



REVISIONS		CABINET NO.	ILLINOIS DEPARTMENT OF TRANSPORTATION TRAFFIC SYSTEMS CENTER
NO.	DATE		
			TYPE 3 CABINET WIRING DIAGRAM
			SCALE: VERT. NONE HORIZ. NONE
			DATE 10/17/95
			DRAWN BY G.A.L. CHECKED BY B.L.L.

TRAFFIC SYSTEMS CENTER (TY-1TSC-400\*13)

FILE NAME =	DESIGNED - GHT	REVISED -
...prpIn_ABC_C2_TS_DET_06.dgn	DRAWN - TMB	REVISED -
USER NAME = tblank	CHECKED - MPM	REVISED -
PLOT DATE = 11/12/2009	DATE - 10/16/09	REVISED -

benesch

STATE OF ILLINOIS  
DEPARTMENT OF TRANSPORTATION

TRAFFIC SYSTEMS CENTER DETAIL SHEETS	
SCALE: N.T.S.	SHEET NO. 6 OF 16 SHEETS
STA. _____	TO STA. _____

F.A.I. RTE.	SECTION	COUNTY	TOTAL SHEETS	SHEET NO.
290	(3031, ETC., 3838RS-5	COOK	298	273
FED. ROAD DIST. NO. _____			ILLINOIS FED. AID PROJECT	
			CONTRACT NO. 60652	