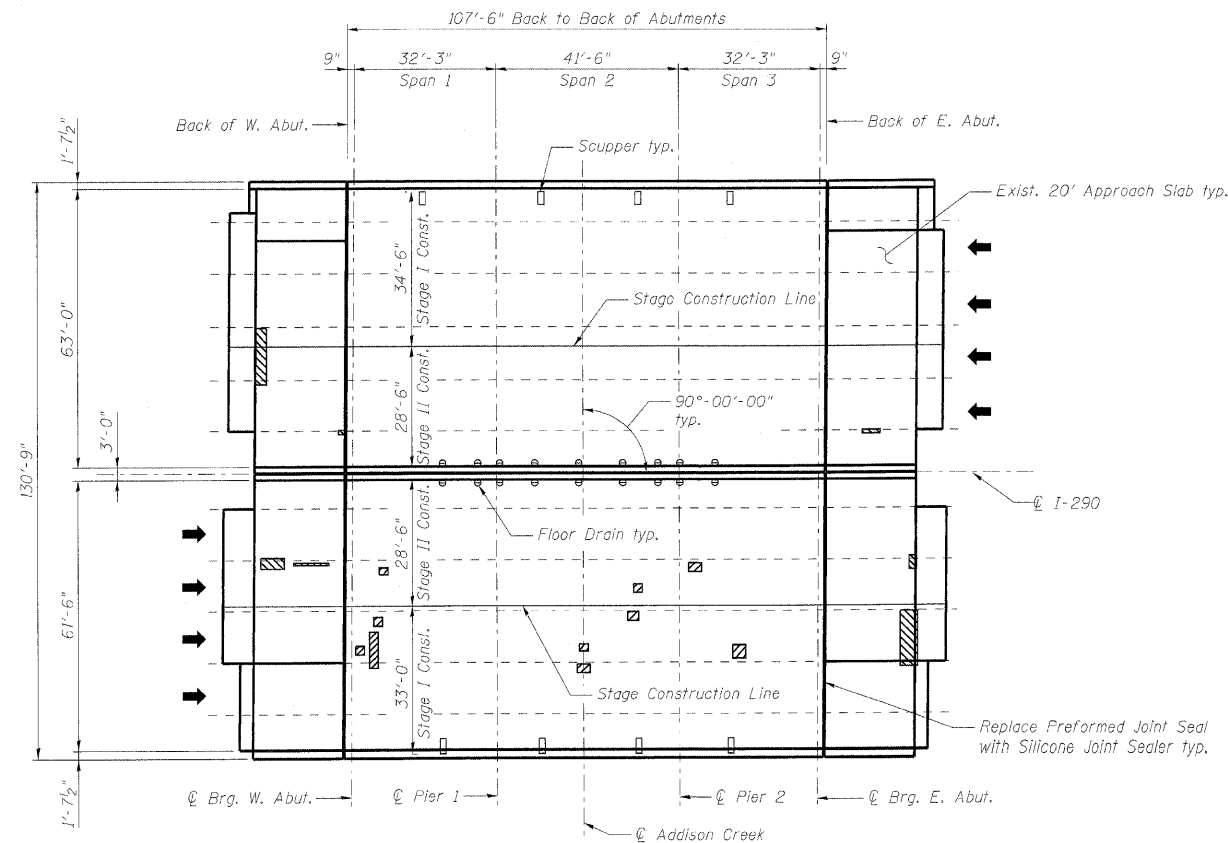
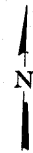
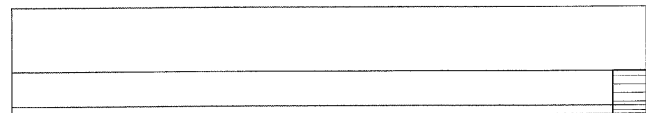


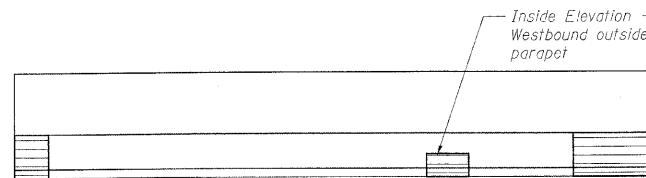
STATE OF ILLINOIS
DEPARTMENT OF TRANSPORTATION



PLAN

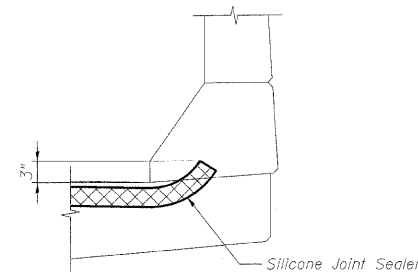


INSIDE ELEVATION - EASTBOUND MEDIAN PARAPET

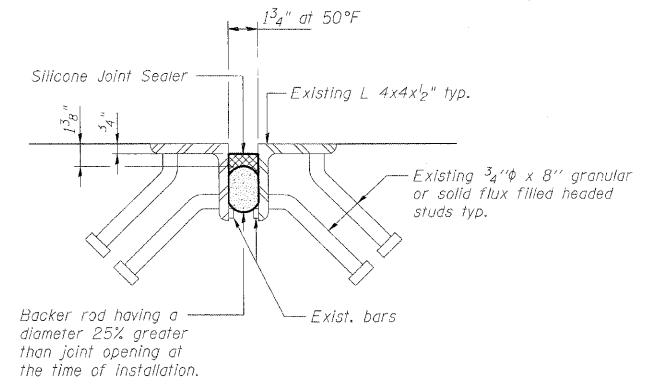


INSIDE ELEVATION - WESTBOUND MEDIAN PARAPET
(Unless Noted Otherwise)

DESIGNED	DMS
CHECKED	EFS
DRAWN	RMG
CHECKED	KJN



SILICONE JOINT SEALER
TREATMENT AT PARAPET



SILICONE JOINT SEALER DETAIL

BILL OF MATERIAL

Symbol	Item	Unit	Quantity
	Deck Slab Repair (Partial)	Sq. Yd.	18.6
	Structural Repair of Concrete (Depth Greater than 5 Inches)	Sq. Ft.	32
	Approach Slab Repair (Partial Depth)	Sq. Yd.	24.4
	Silicone Joint Sealer	Foot	228.0

Notes:

- Deck and approach slab repair areas are estimated based on visual inspection completed in June 2009. Actual repair areas and locations shall be determined by the Engineer and shown on As-Built plans.
- Deck drains (downspouts, floor drains and scuppers) shall be cleaned with the bridge deck prior to application of the Concrete Sealer. Cost of cleaning the deck drains is included with Concrete Sealer.
- Cost of Removal of existing preformed joint seal is included with Silicone Joint Sealer.

BRIDGE DECK AND APPROACH SLAB REPAIRS
STRUCTURE NO. 016-0088

benesch

alfred benesch & company
Engineers - Surveyors - Planners
205 North Michigan Avenue, Suite 2400
Chicago, Illinois 60601
312-565-0450 Job No. 10050

SHEET NO. 4 4 SHEETS	F.A.I. RTE.	SECTION	COUNTY	TOTAL SHEETS	SHEET NO.
	290	(3031.1, ETC., 3838)RS-5	COOK	298	245
FED. ROAD DIST. NO.			ILLINOIS	FED. AID PROJECT	
CONTRACT NO. 60G52					