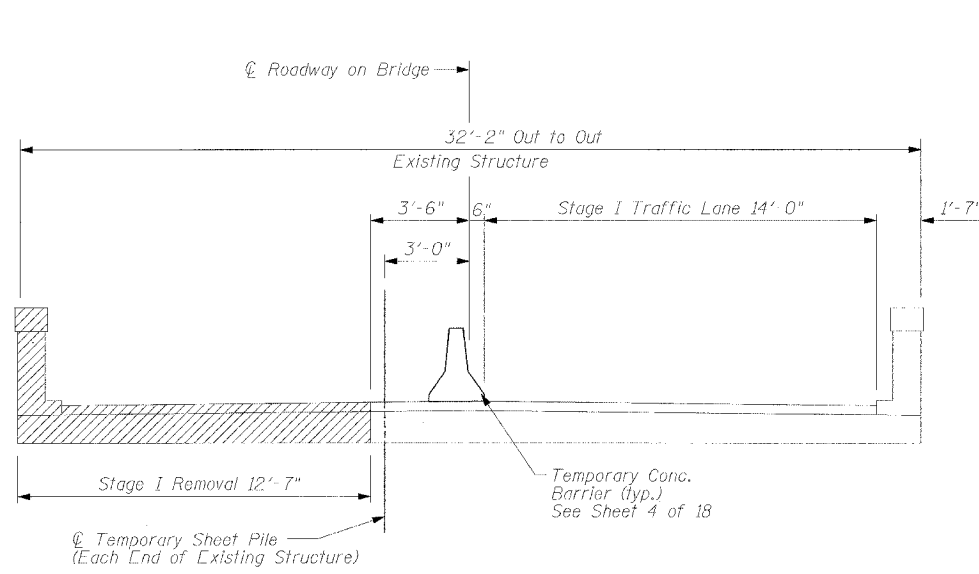


STATE OF ILLINOIS
DEPARTMENT OF TRANSPORTATION

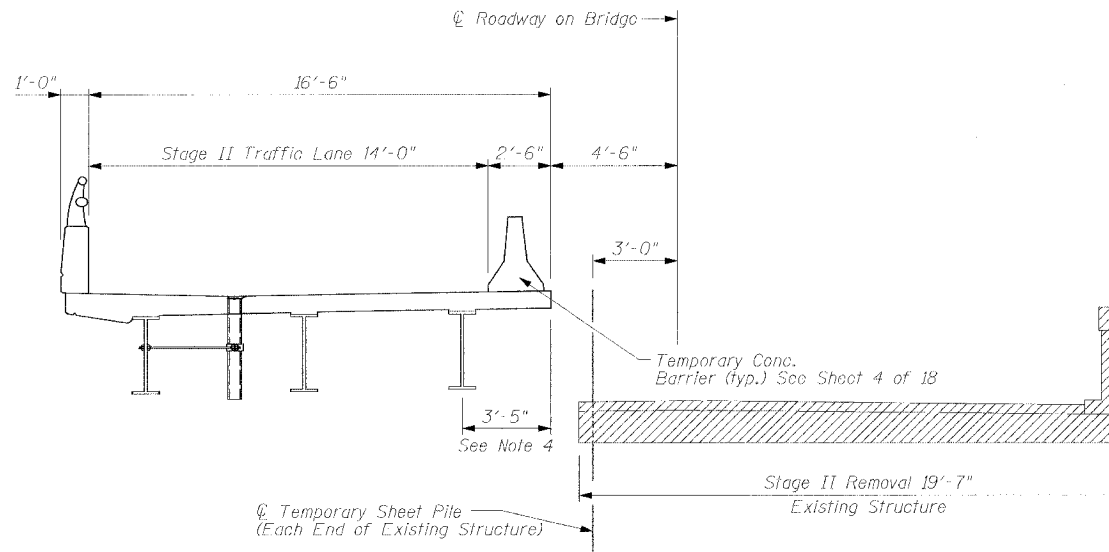
ROUTE NO.	SECTION	COUNTY	TOTAL SHEETS	SHEET NO.	SHEET NO. 2 20 SHEETS
754	4RS-2, 4BR	CALHOUN	87	36	
FED. ROAD DIST. NO. 7	ILLINOIS	FED. AID PROJECT			

CONTRACT NO. 76269

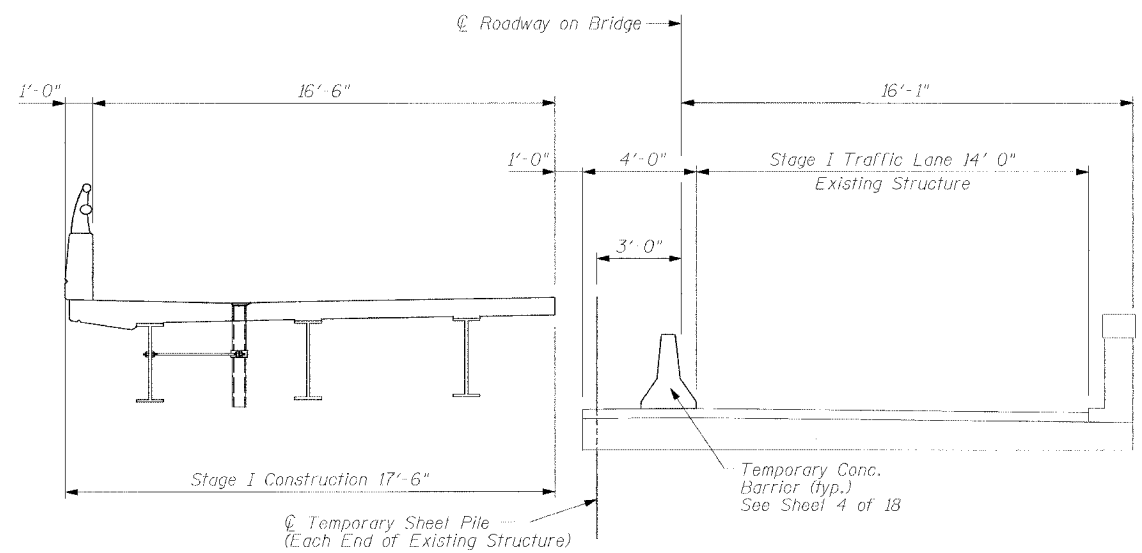
- Notes:
- Hatched area indicates "Removal of Existing Structures".
 - For quantity of Temporary Concrete Barrier, see Roadway Plans.
 - Dimensions are at Rt. L's to \odot Roadway on Bridge.
 - The contractor shall keep all vehicular loads and other heavy loads 3'-5" minimum from the edge of the deck.



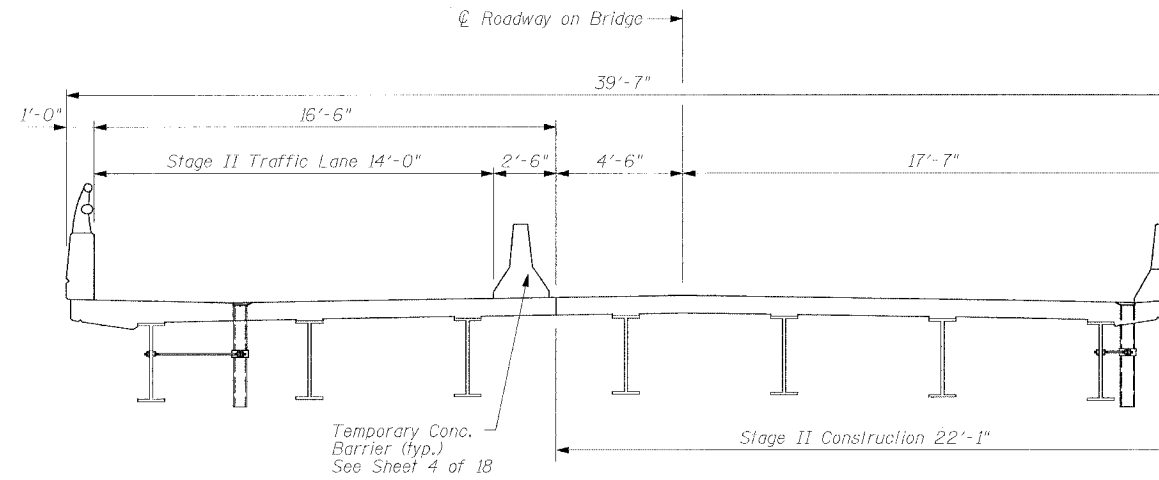
STAGE I REMOVAL
(Looking North)



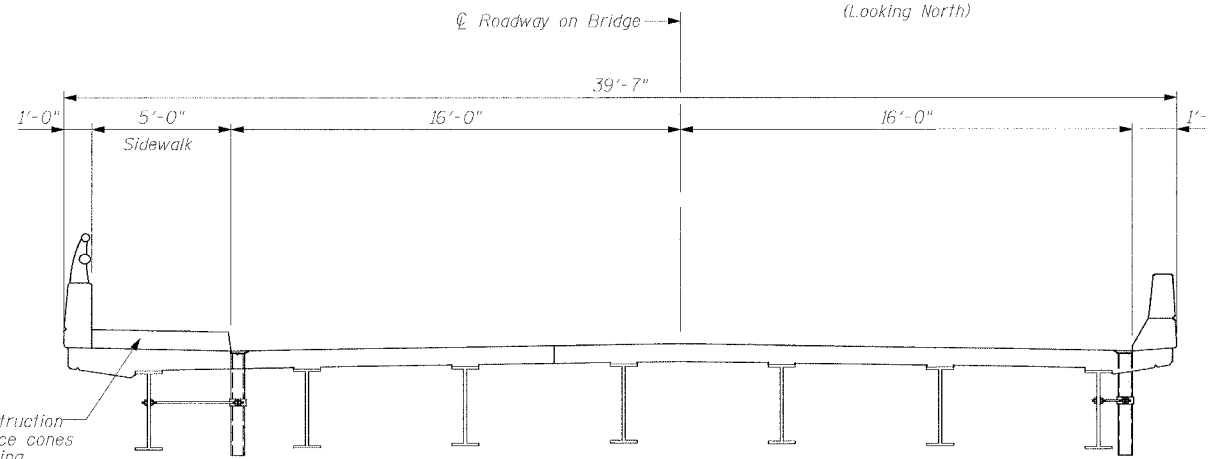
STAGE II REMOVAL
(Looking North)



STAGE I CONSTRUCTION
(Looking North)



STAGE II CONSTRUCTION
(Looking North)



STAGE III CONSTRUCTION
(Looking North)

Sidewalk to be placed in Stage III construction. Use flaggers for traffic control and place cones at edge of sidewalk during concrete curing.

DESIGNED	- L.E.L.
CHECKED	- REG
DRAWN	- M.T.L.
CHECKED	- L.E.L.

STAGE CONSTRUCTION
PARK STREET OVER
AN UNNAMED CREEK
F.A.S. ROUTE 754
SECTION 4RS-2, 4BR
CALHOUN COUNTY
ROADWAY STATION 6+08.50
STRUCTURE NO. 007-0026

Benton & Associates, Inc.
Consulting Engineers / Land Surveyors
1970 West Lafayette Avenue Jacksonville, Illinois 62650
Phone : 217-245-4146 Fax : 217-245-4149
IL Design Firm Registration No. 184-000852