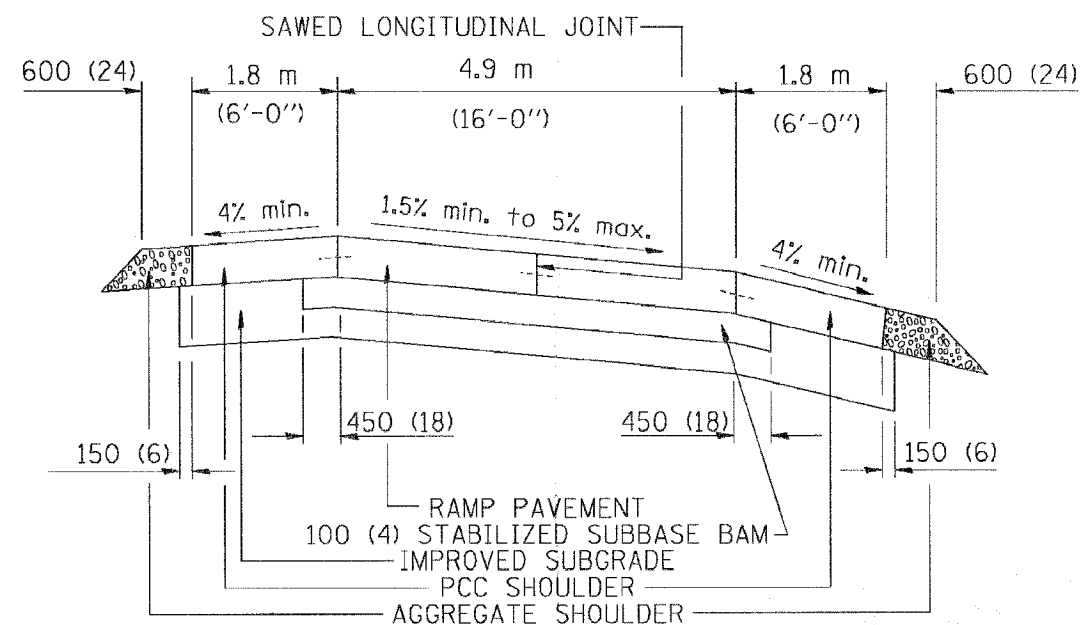


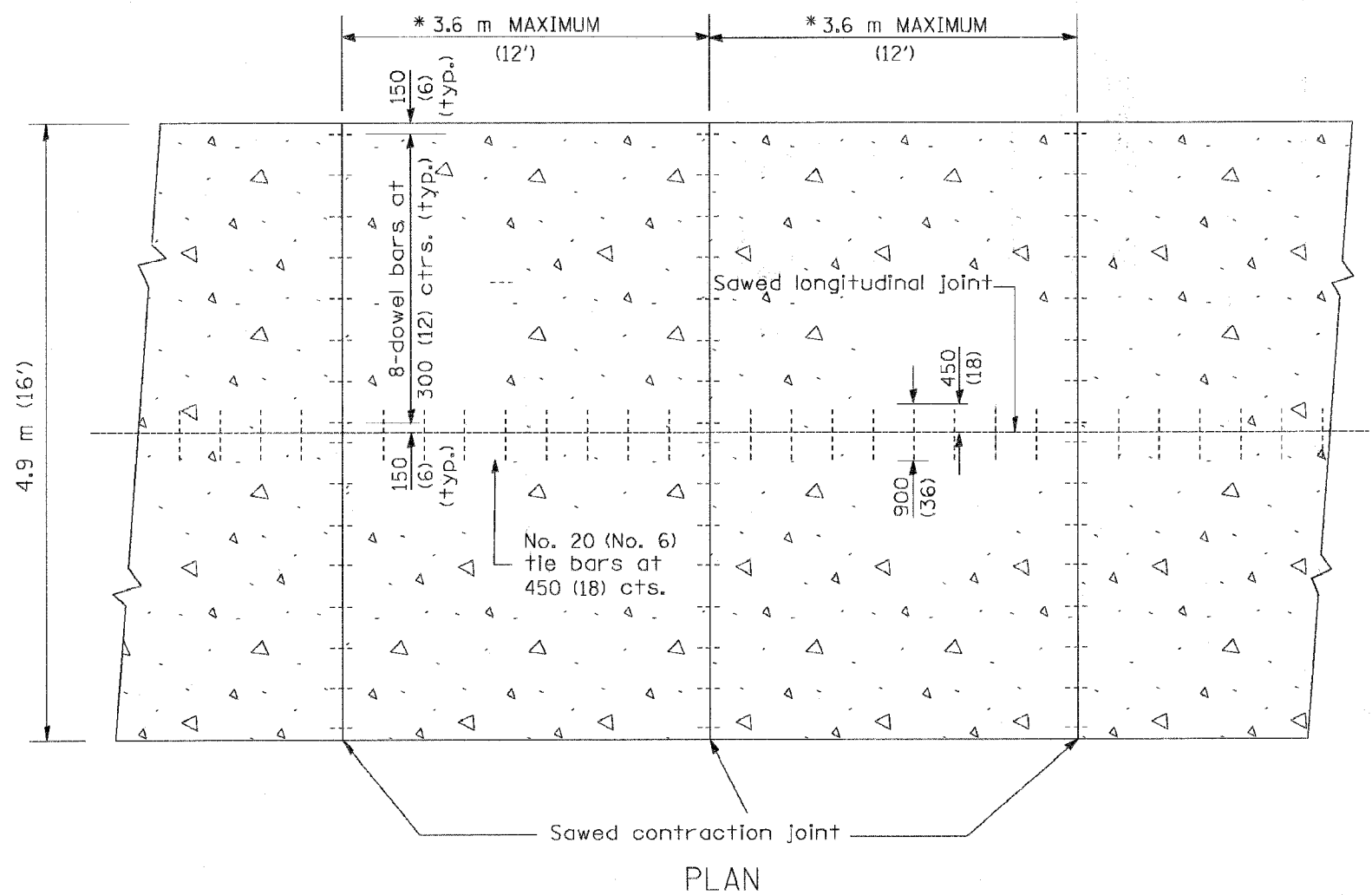
F. & L. ETC.	SECTION	COUNTY	TOTAL SHEETS	SHEET NO.
80/94 *		COOK	231	181
STA.	TO STA.			
FED. ROAD DIST. NO. 1	ILLINOIS	FED. AID PROJECT		
*(0203.1 & 0304) R-6			CONTRACT # 62105	



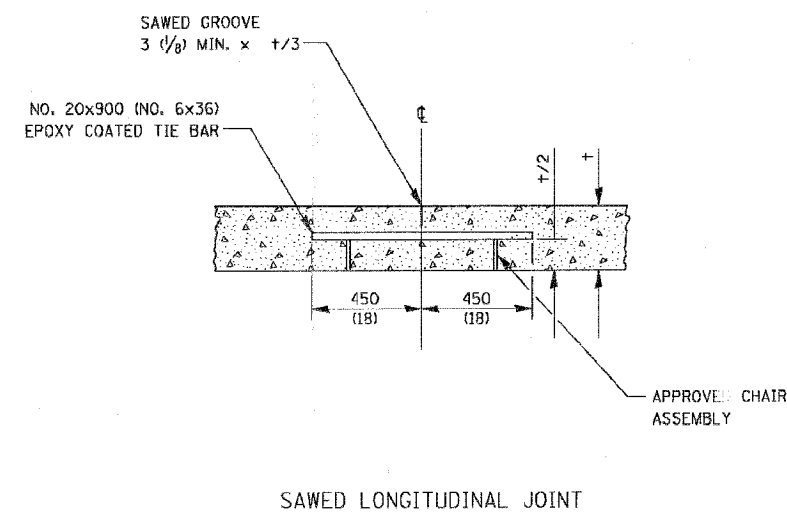
SECTION

NOTES:

- CENTERLINE JOINT REMAINS IN THE CENTER WHEN RAMP TRANSITIONS TO TWO (2) RAMPS AT 3.6 m (12').
- ALL BARS TO BE EPOXY COATED.



PLAN



SAWED LONGITUDINAL JOINT

DS-1

ALL DIMENSIONS ARE IN MILLIMETERS (INCHES) UNLESS OTHERWISE NOTED

ILLINOIS DEPARTMENT OF TRANSPORTATION

**DETAIL FOR CENTERLINE SAWCUT
4.9 m (16') AND VARIABLE
JOINTED PCC PAVEMENT
FOR RAMPS**

REVISIONS	
NAME	DATE

SCALE: NONE
DATE 10/18/2002

DRAWN BY: TOM MATOUSEK
CHECKED BY: A. ABBAS
BD49

REVISION DATE: