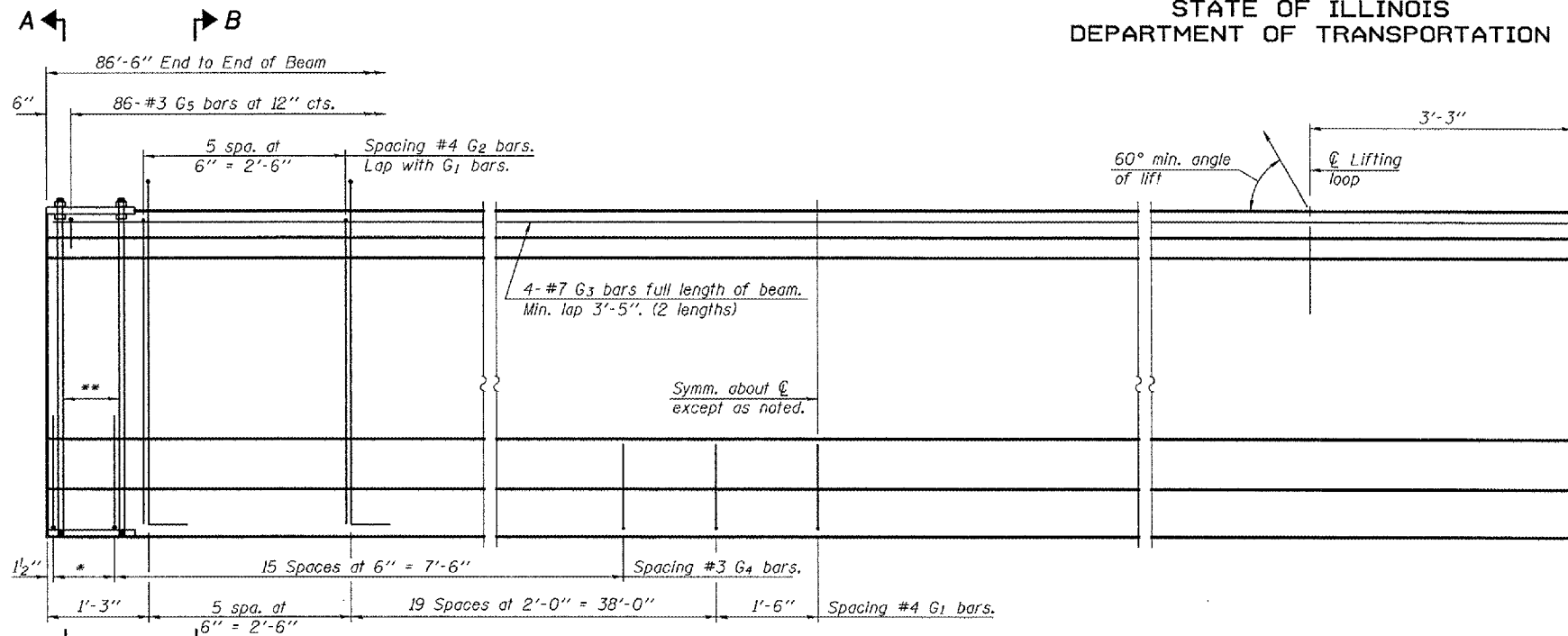


STATE OF ILLINOIS
DEPARTMENT OF TRANSPORTATION

ROUTE NO. F.A.P. 310	SECTION (101BY) BR	COUNTY WARREN	SHEET 97 44	SHEET NO. 10
FED. ROAD DIST. NO. 7				ILLINOIS
FED. AID PROJECT-				16 SHEETS

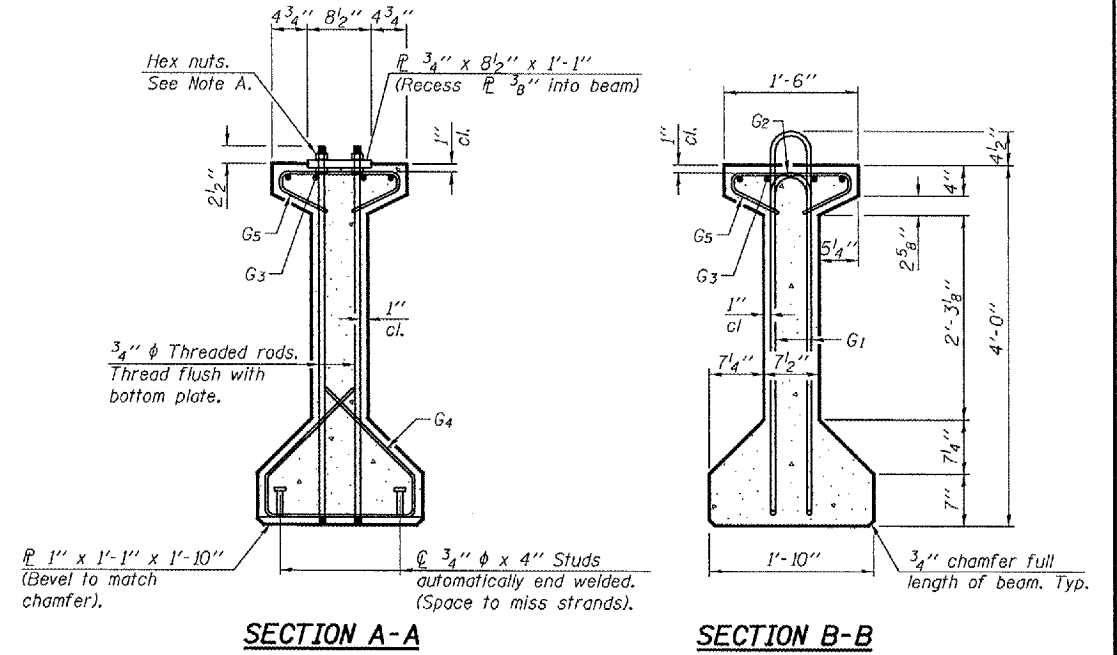
Contract #88798



ELEVATION OF BEAM
(Showing reinforcement & dimensions)

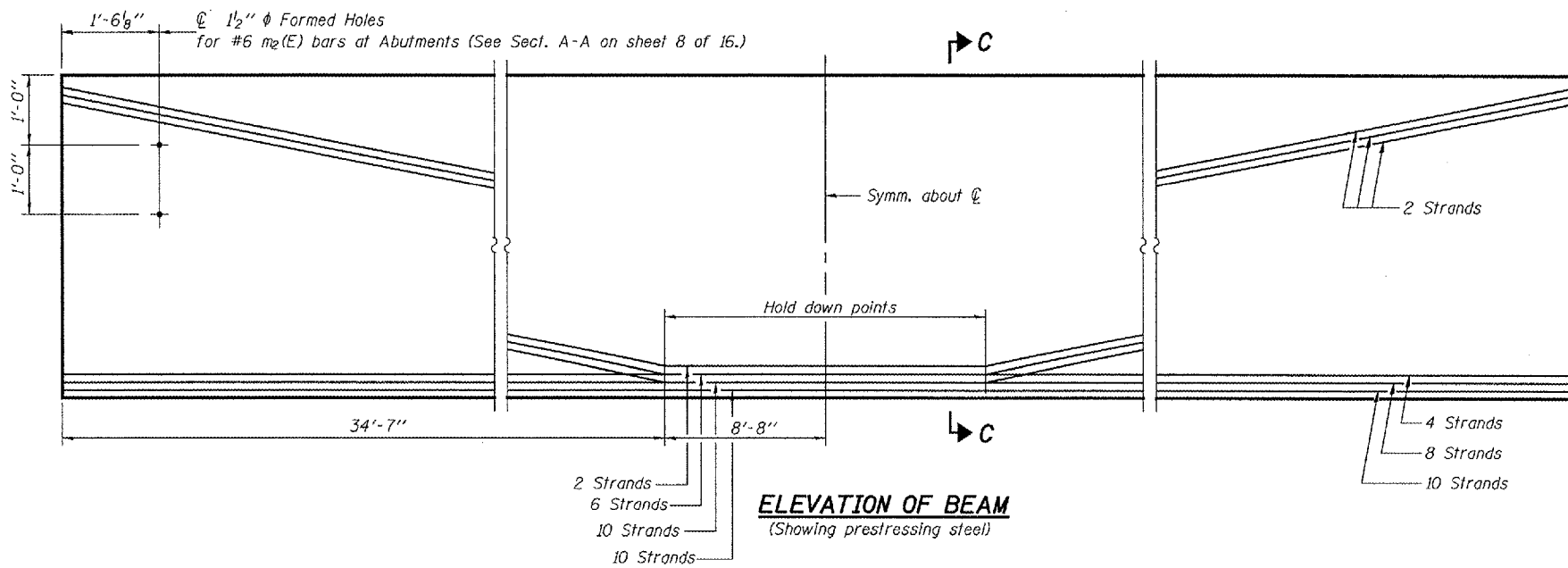
* 3 spaces at 3" = 9".
** 4-3/4" ϕ threaded dowel rods at 3" cts., each face.

Note A:
Hex nuts (top and bottom) with lock washers (top). Only tighten sufficiently to compress lock washers.



SECTION A-A

SECTION B-B



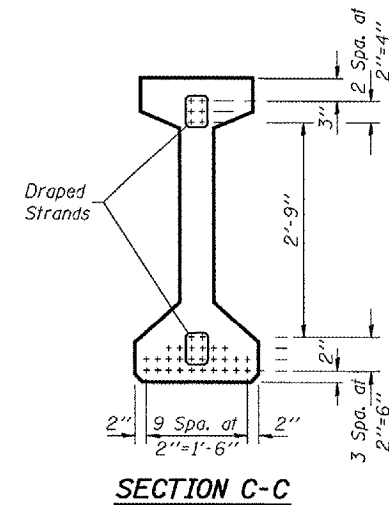
ELEVATION OF BEAM
(Showing prestressing steel)

***** BAR LIST
ONE BEAM ONLY**

Bar	No.	Size	Length	Shape
G ₁	51	#4	9'-6"	⌈
G ₂	12	#4	7'-11"	⌈
G ₃	8	#7	44'-10"	—
G ₄	38	#3	5'-3"	⌈
G ₅	86	#3	2'-9"	⌈

*** For information only

Notes:
See sheet 11 of 16 for additional details and Bill of Material.
Required release strength, f'ci, shall be 5,000 psi.



SECTION C-C

DESIGNED	JSB
CHECKED	CME
DRAWN	P.W. SWEET
CHECKED	JSB/CME

September 6, 2007
EXAMINED *Thomas J. Donagale*
PASSED *Ralph E. Anderson*

48" PPC I-BEAM
F.A.P. ROUTE 310 - SECTION (101BY)BR
WARREN COUNTY
STATION 73+02
STRUCTURE NO. 094-0049