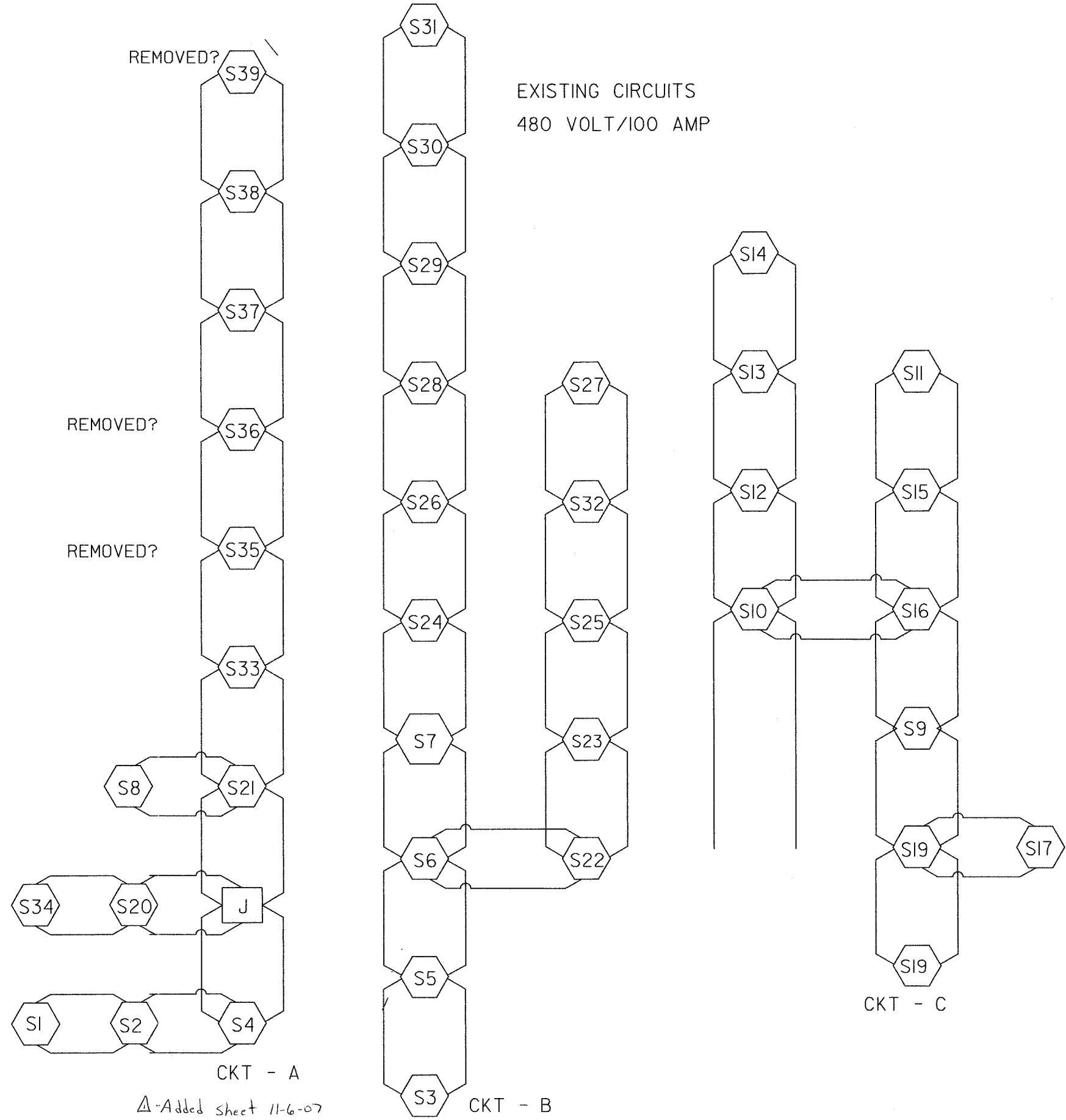
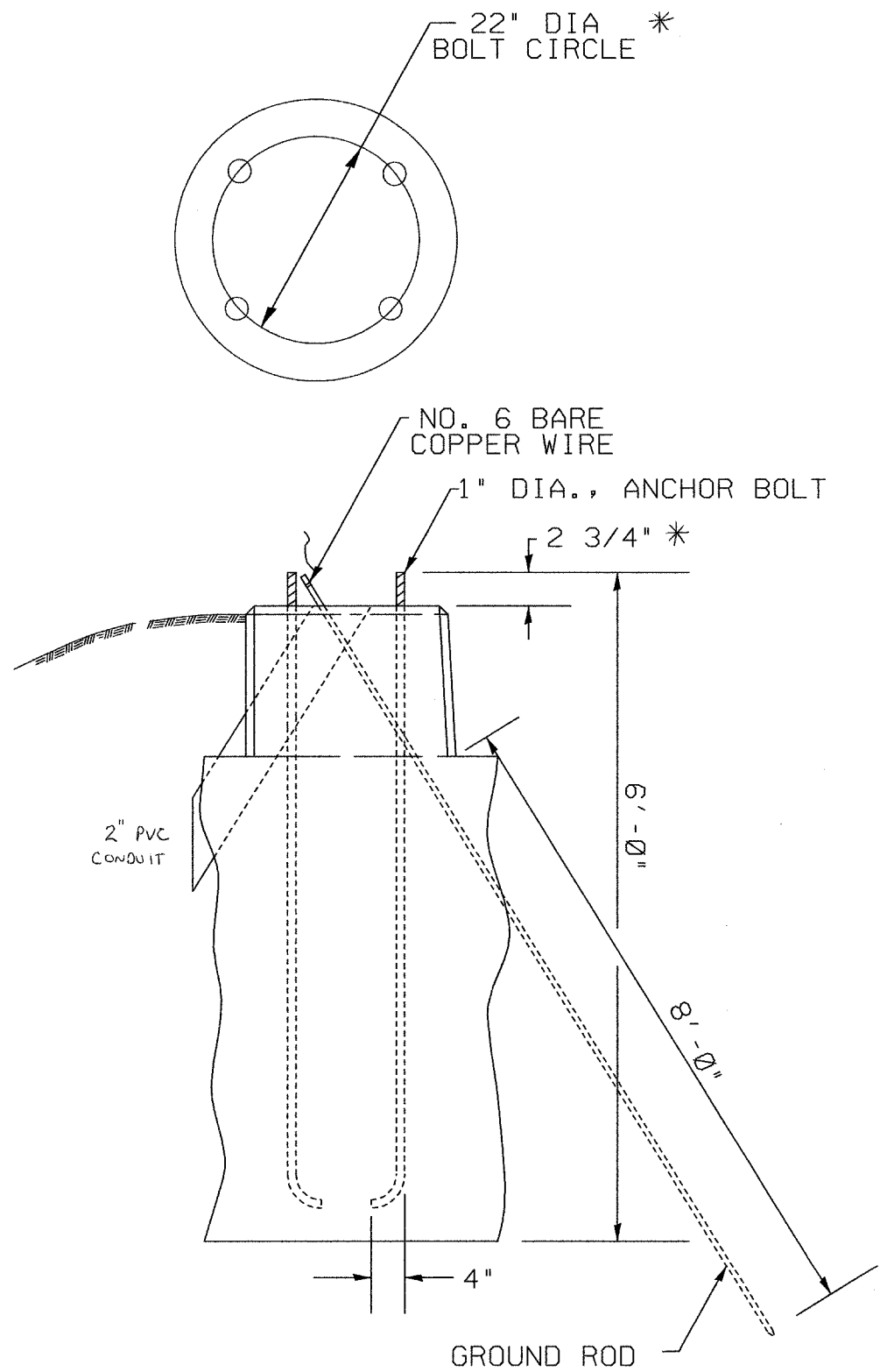


* CONTRACTOR TO VERIFY



FILE NAME =	USER NAME = *USER*	DESIGNED -	REVISD -
*FILE#		DRAWN -	REVISD -
		CHECKED -	REVISD -
		DATE -	REVISD -

STATE OF ILLINOIS
DEPARTMENT OF TRANSPORTATION

LIGHTING PLAN

SCALE: _____ SHEET NO. ___ OF ___ SHEETS STA. _____ TO STA. _____

F.A.P. RTE.	SECTION	COUNTY	TOTAL SHEETS	SHEET NO.
S95	SHBR	Rock Island	638	638
CONTRACT NO. 4931				
FED. ROAD DIST. NO. ILLINOIS FED. AID PROJECT				