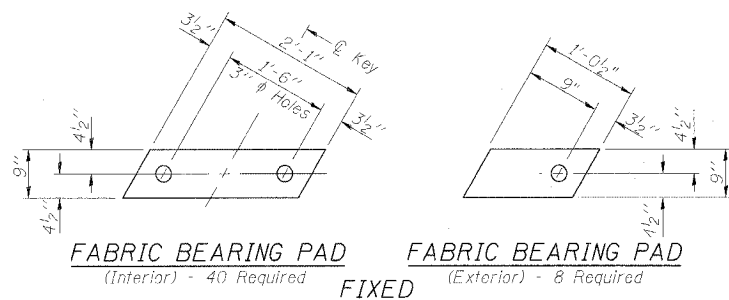


STATE OF ILLINOIS
DEPARTMENT OF TRANSPORTATION

ROUTE NO.	SECTION	SHEET	SHEET NO.
FAP 370	01031-2	COOK	13
SHEET NO. 5 10 SHEETS			
REC. NO. DIST. NO. 7	ILLINOIS	FED. AID PROJECT	

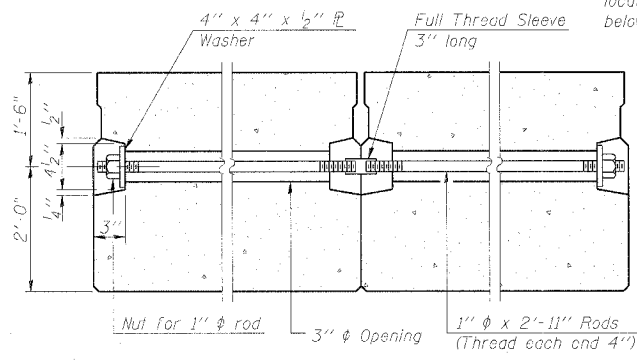
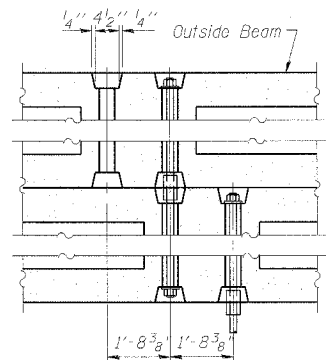
Contract # 62362



BILL OF MATERIAL

Bar	No. per beam	No. of beams	Total No.	Size	Length	Shape	
A	128	22	2816	#3	2'-8"		
A ₁	73	22	1606	#4	6'-1"		
B	6	22	132	#5	28'-6"		
B ₁	8	22	176	#7	16'-6"		
B ₂	6	22	132	#4	28'-0"		
D	12	22	264	#4	4'-3"		
D ₁ (E)	81	4	324	#5	4'-10"		
U	63	22	1386	#3	8'-7"		
U ₁	10	22	220	#4	8'-7"		
Precast Prestressed Conc. Deck Bms. (42" Depth)						Sq. Ft.	5290
Bar Splicers						Each	274

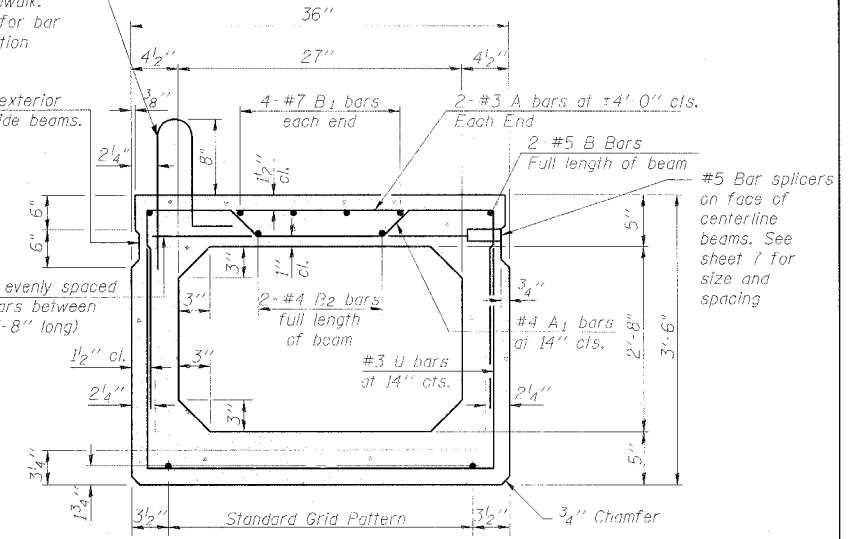
Reinforcement Bars designated (E) shall be epoxy coated



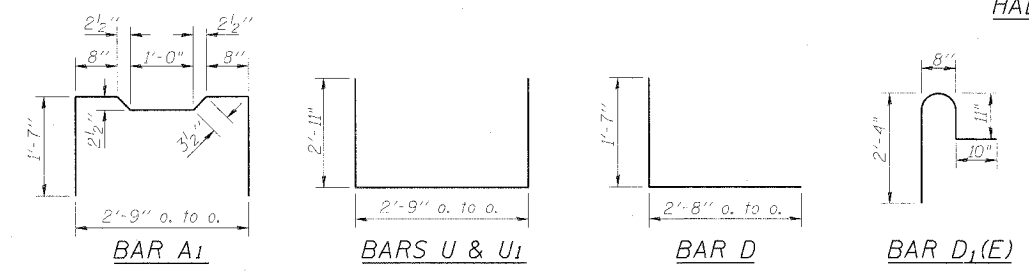
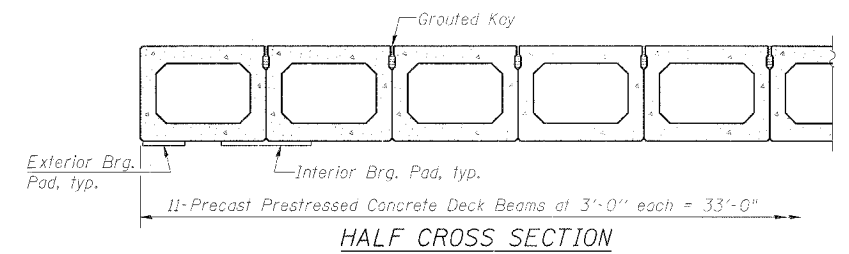
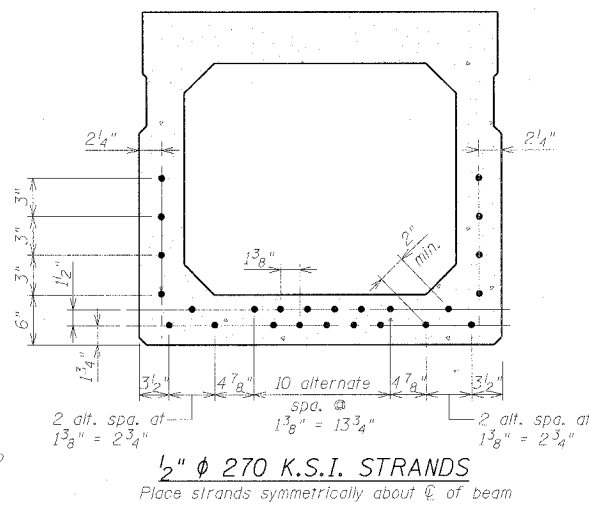
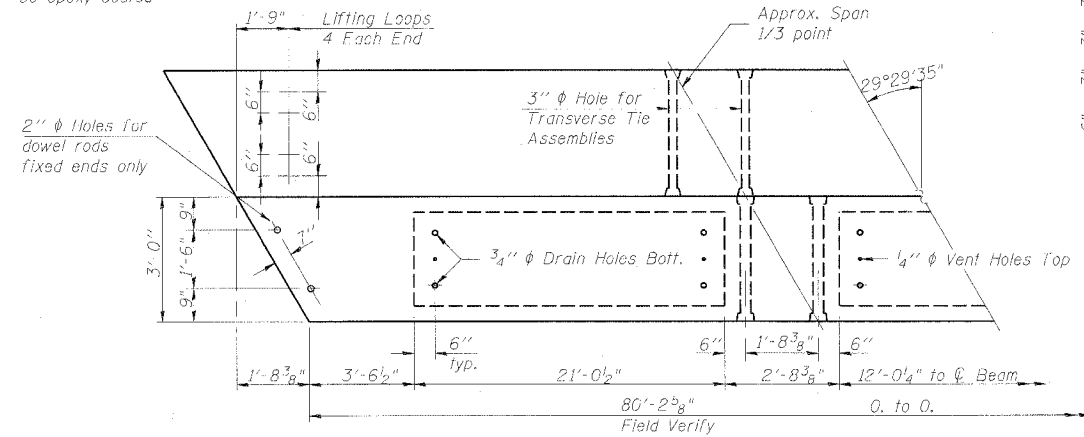
81-#5 D₁(E) bars @ 12" cts. in beams below sidewalk. See sheet 6 of 10 for bar location and orientation below sidewalks.

Omit key on exterior face of outside beams.

2-#3 A bars evenly spaced between A₁ bars between end blocks (2'-8" long)

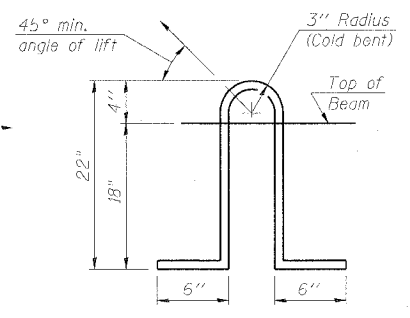
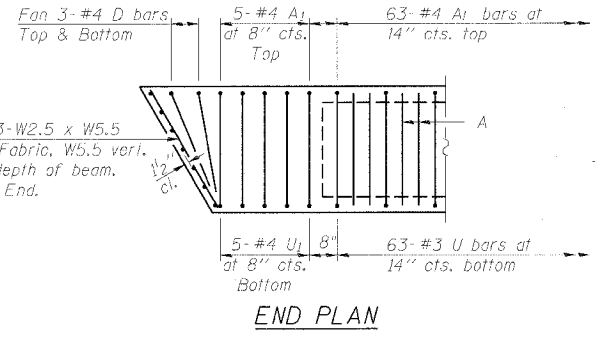


21-1/2" Ø Strands, Each Strand Stressed to 30,900 Lbs.
7-Strands 1 3/4" up, 6-Strands 3/4" up, 2-strands 6" up,
2-strands 9" up, 2-Strands 12" up, 2-Strands 15" up



NOTES

Prestressing steel shall be uncoated high strength, low relaxation 7-wire strand, Grade 270. The nominal diameter shall be 1/2" and the nominal cross-sectional area shall be 0.153 sq. in. Lifting loops shall be 3-1/2" Ø 270 ksi strands, as shown. The 1" Ø rods in the transverse tie assembly shall be tightened to a snug fit and the threads set. Pockets that receive transverse tie bar on outside shall be filled with grout after transverse tie assembly is in place. Non prestressing steel shall conform to ASTM A 706 (1L MOD), Grade 60. The bearing seal surfaces shall be adjusted by shimming to assure firm and even bearing. Two 1/8" fabric adjusting shims of the dimensions of the Exterior Bearing Pad shall be provided for each bearing. Keyway surfaces shall be cleaned to remove form oil or other bond breaking material prior to shipment of the beams. Cleaning shall be done by sandblasting the keyway areas between top of the beam and the bottom edge of the key. Corrosion Inhibitor, per Article 1020.05(b)(12) of the Standard Specifications, shall be used in the concrete for precast prestressed concrete deck beams. Required Release Strength, f'ci, shall be 4,000 p.s.i. Precaster to provide threaded dowels for bar splicers in closure pour.



DESIGNED -
CHECKED -
DRAWN -
CHECKED -

PD-5-R 11-1-06

SUPERSTRUCTURE DETAILS
42" DECK BEAMS
GREGORY STREET
OVER VERMONT STREET
SECTION 01031-2
COOK COUNTY
STRUCTURE NO. 016-0776
STATION 42+37.22

GRAEF ANHALT SCHLOEMER
CONSULTING ENGINEERS AND LAND SURVEYORS
8501 W. Higgins Road, Suite 280
Chicago, Illinois 60631
(773) 399-0112