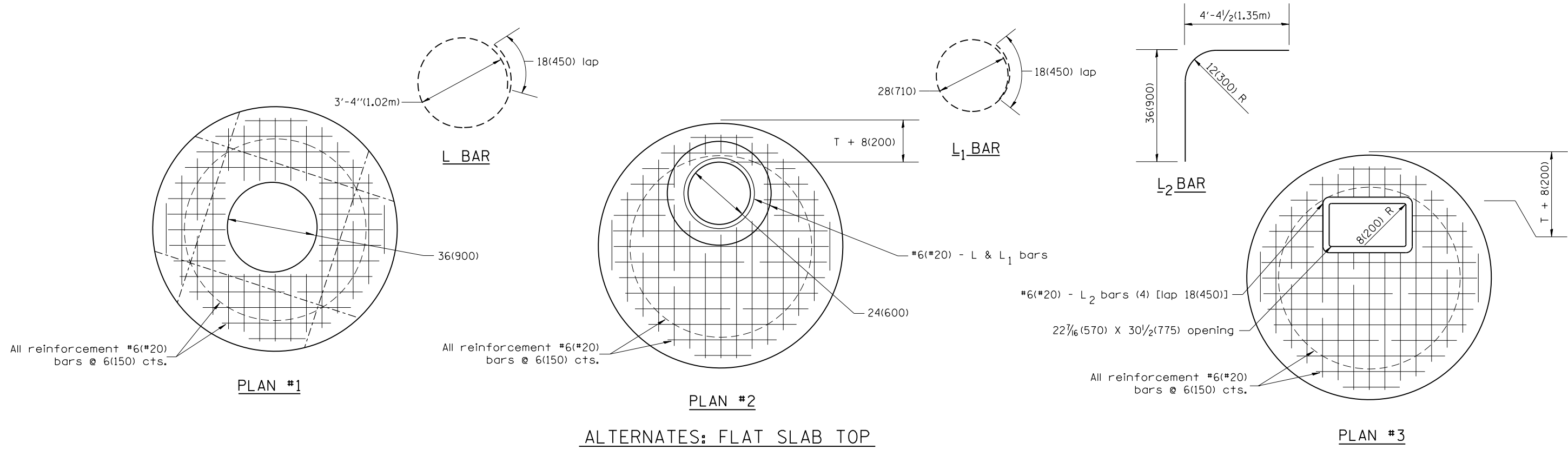
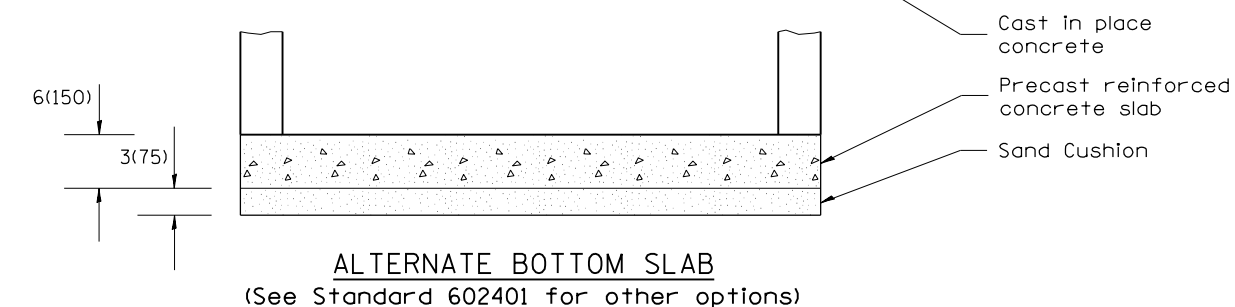
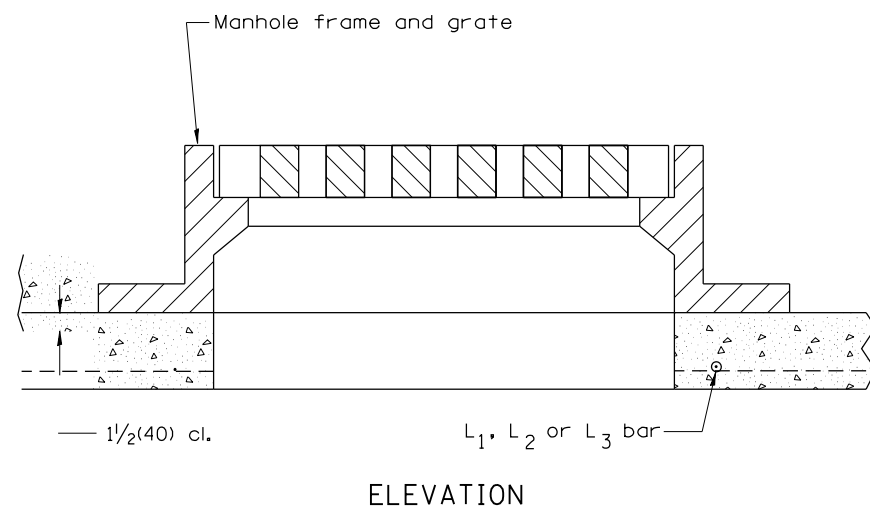
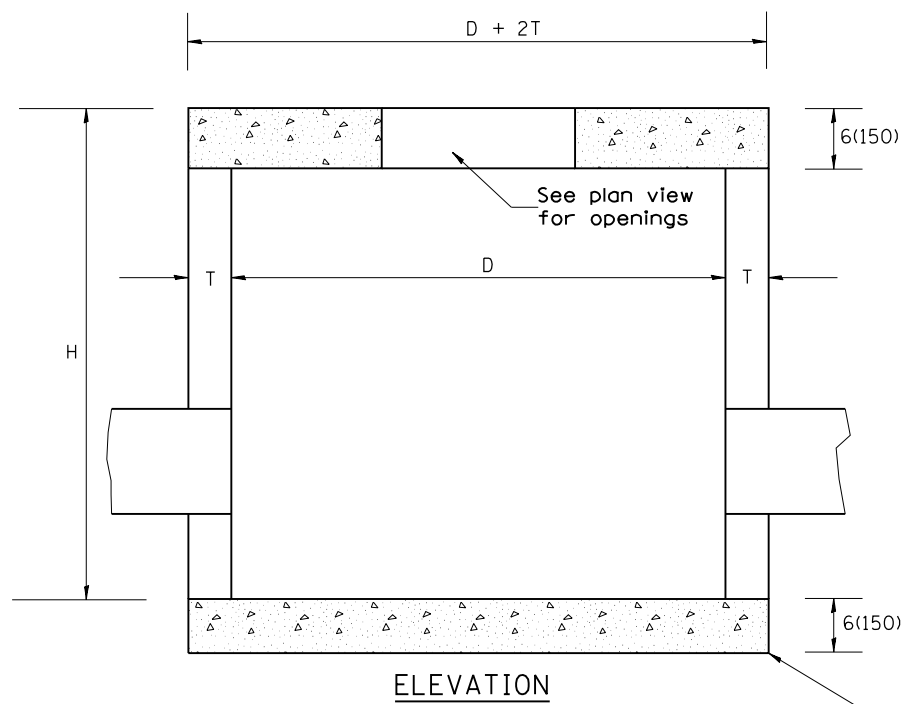


DESIGNER NOTES:
 1. INCLUDE STD# 602401 (MANHOLE, TYPE A), AND STANDARD 602406 (MANHOLE TYPE A 72" (1800mm) DIAMETER).
 2. INCLUDE STANDARD 602701 (CAST IRON STEPS).
 3. INCLUDE DISTRICT SPECIAL PROVISION, PAY ITEM INCLUDES MANHOLE, FLAT SLAB TOP, AND FRAME, AND GRATE.
 4. SPECIFY FRAME AND GRATE AND INCLUDE STANDARD/S.



ALTERNATES: FLAT SLAB TOP



ALTERNATE MATERIALS FOR WALLS	D	T (min.)
CONCRETE MASONRY UNITS	4' (1.2m)	5 (125)
	5' (1.5m)	5 (125)
BRICK MASONRY	4' (1.2m)	8 (200)
	5' (1.5m)	8 (200)
PRECAST REINFORCED CONCRETE RISERS	4' (1.2m)	4 (100)
	5' (1.5m)	5 (125)
CAST-IN-PLACE CONCRETE	4' (1.2m)	6 (150)
	5' (1.5m)	6 (150)

NOTES

1. Manhole construction shall be in accordance with Section 602 of the Standard Specifications.
2. See Standards 602401 and 602406 for invert details and optional construction details.
3. See Standards 602701 for cast iron steps.

All dimensions are in inches (millimeters) unless otherwise noted.