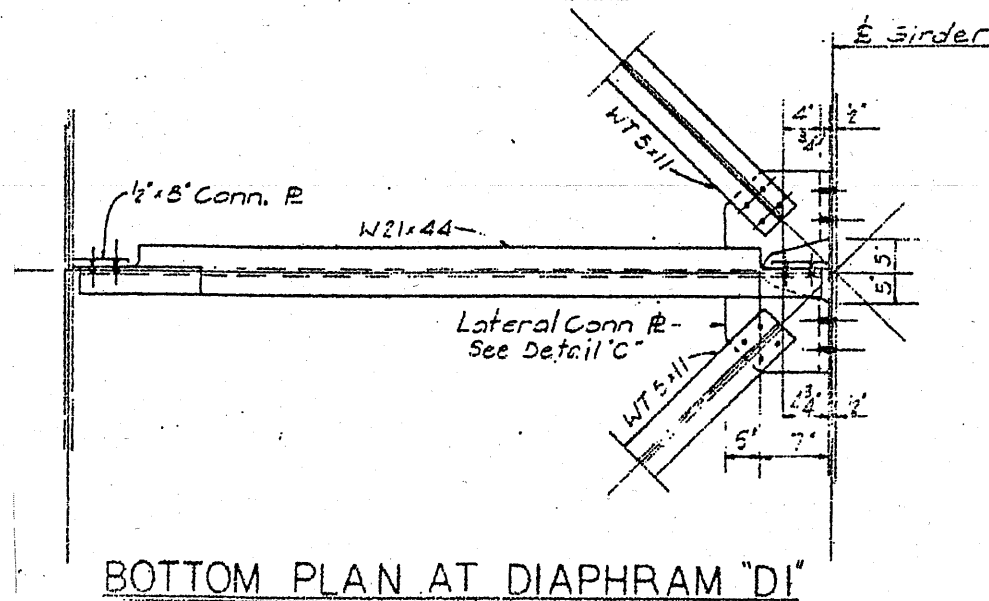
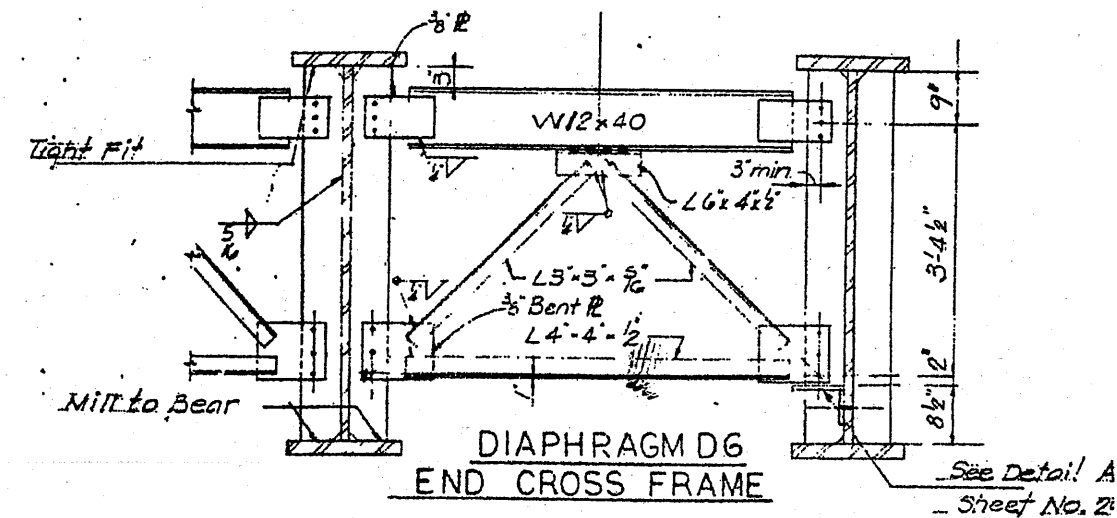
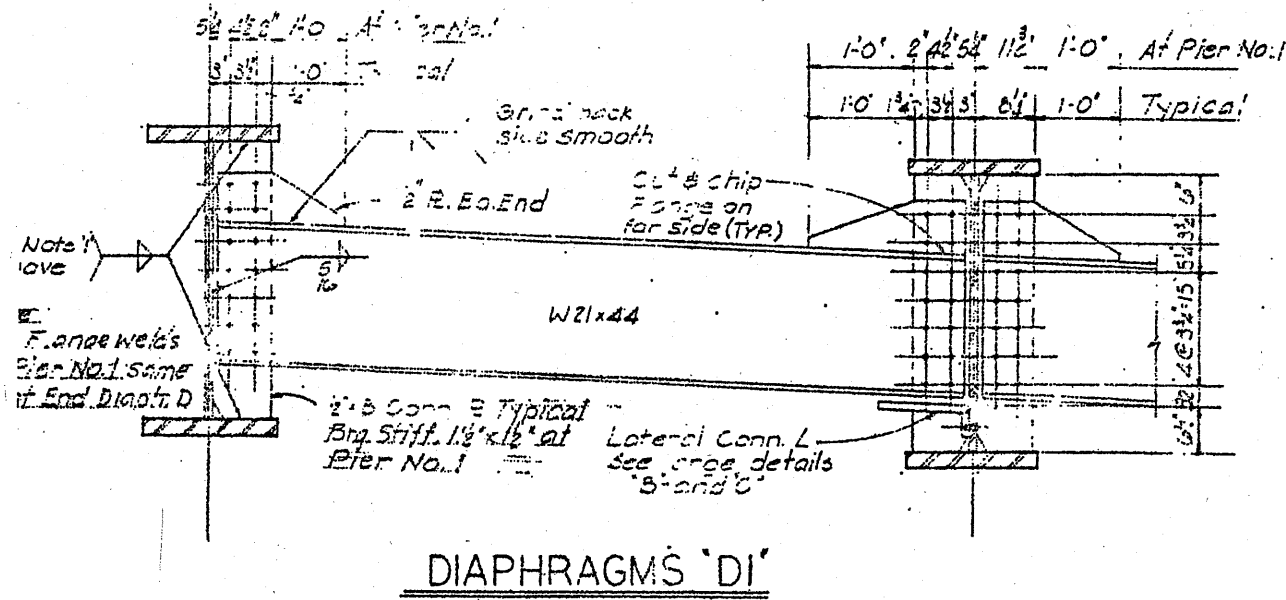
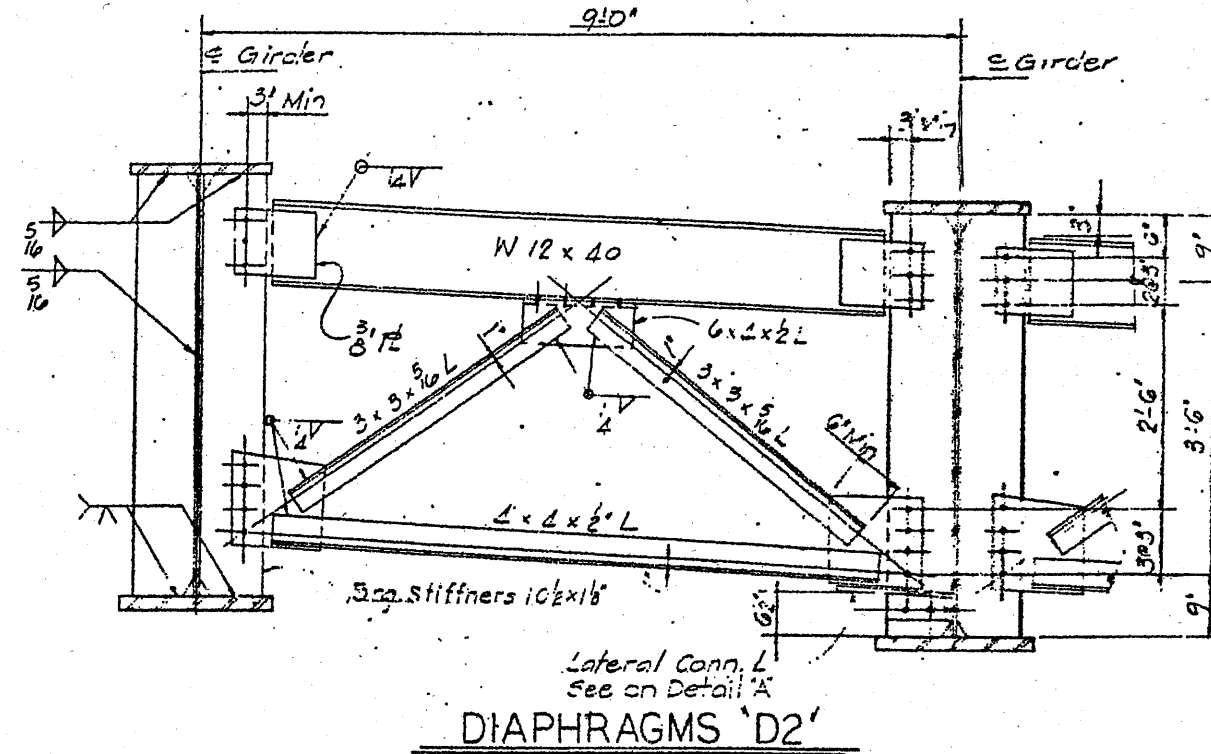
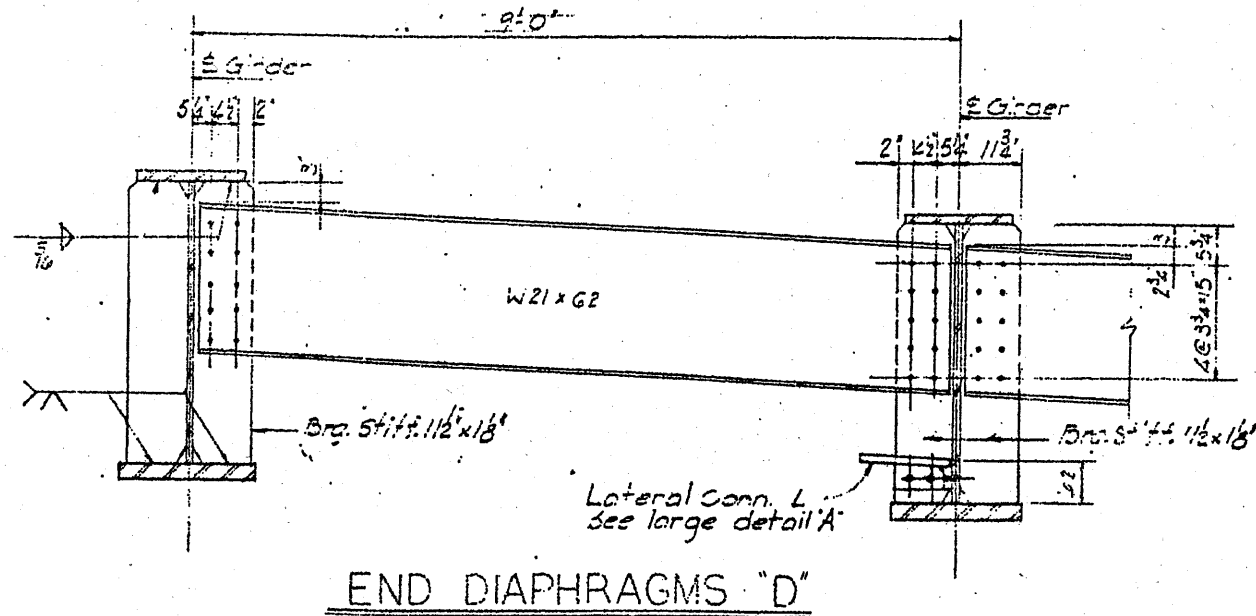


ROUTE	SECTION	COUNTY	TOTAL SHEETS	SHEET NUMBER
VARIOUS	2010-088-BP	COOK AND LAKE	25	21

CONTRACT NO. 60L84



**FOR INFORMATION ONLY**

ILLINOIS DEPARTMENT OF  
TRANSPORTATION

EXISTING BRIDGE PLAN  
LOCATION 2: SN 016-2504