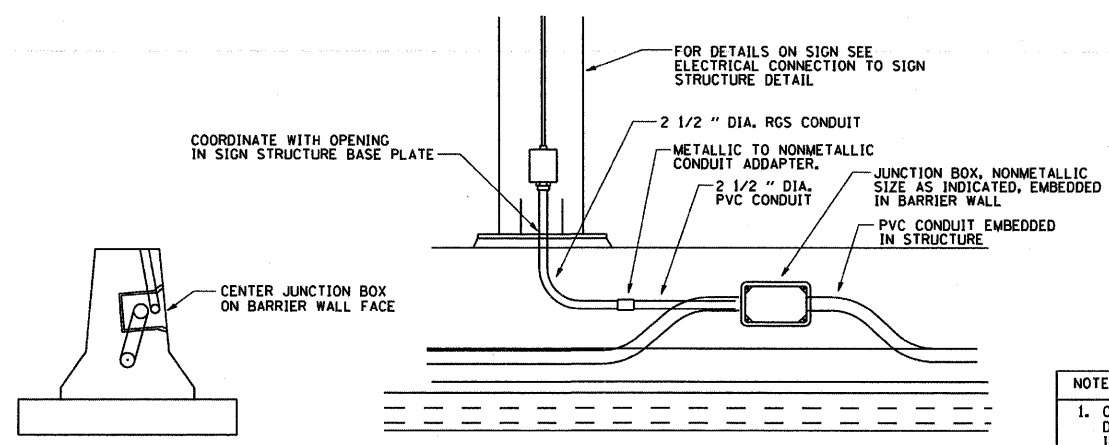


NOTES

1. CONDUIT SHALL BE 4-INCH DIAMETER UNLESS OTHERWISE INDICATED IN THE PLANS.
2. JUNCTION BOX SIZE
SINGLE FACE WALL: 21" X 11" X 8"
DOUBLE FACE WALL: 20" X 13" X 12"

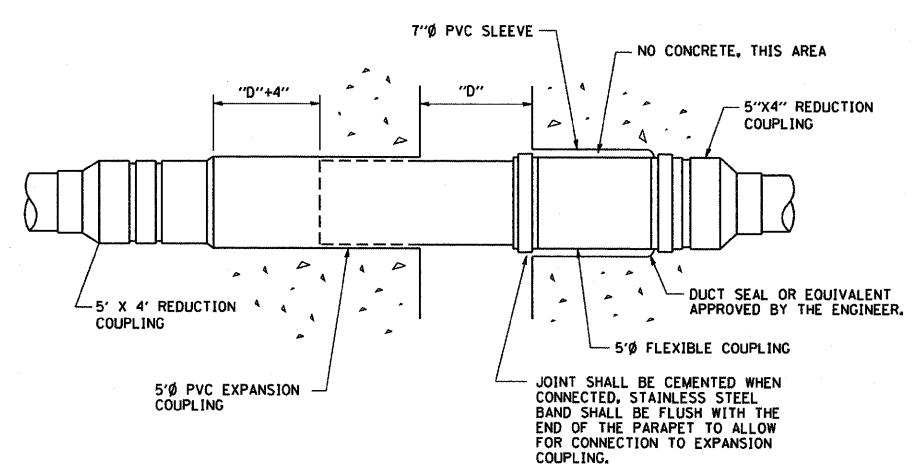
ED - BWD
ELECTRIC CONNECTION TO UNDERPASS LIGHTING



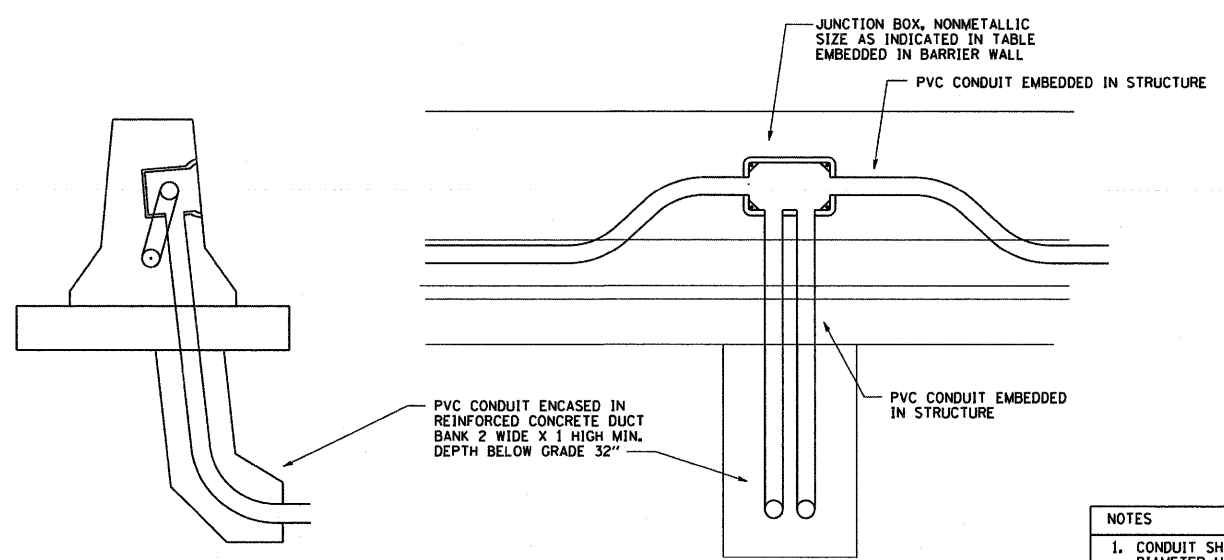
NOTES

1. CONDUIT SHALL BE 4-INCH DIAMETER UNLESS OTHERWISE INDICATED IN THE PLANS.
2. JUNCTION BOX SIZE
SINGLE FACE WALL: 21" X 11" X 8"
DOUBLE FACE WALL: 20" X 13" X 12"

ED - SGN
JUNCTION BOX EMBEDDED IN BARRIER WALL FOR SIGN LIGHTING



INSTALLATION OF CONDUIT
IN BRIDGE PARAPET EXPANSION JOINT
(N.T.S.)



NOTES

1. CONDUIT SHALL BE 4-INCH DIAMETER UNLESS OTHERWISE INDICATED IN THE PLANS.
2. JUNCTION BOX SIZE
SINGLE FACE WALL: 21" X 11" X 8"
DOUBLE FACE WALL: 20" X 13" X 12"

ED - BW
JUNCTION BOX EMBEDDED IN BARRIER WALL

FILE NAME = be703.dgn	USER NAME = geglianobt	DESIGNED -	REVISED -	STATE OF ILLINOIS DEPARTMENT OF TRANSPORTATION	MISCELLANEOUS ELECTRICAL DETAILS, SHEET B J BOX EMBEDDED IN BARRIER WALL - INSTALLATION OF CONDUIT IN BRIDGE PARAPET EXPANSION JOINT - ELECTRIC CONNECTION TO UNDERPASS LIGHTING		F.A.L. RTE.	SECTION	COUNTY	TOTAL SHEETS	SHEET NO.
	PLOT SCALE = 50,0000' / IN.	DRAWN -	REVISED -				1257	104RB-R	LAKE	54	47
	PLOT DATE = 2/5/2009	CHECKED -	REVISED -				BE-703		CONTRACT NO. 62102		
		DATE - 01-20-2009	REVISED -				FED. ROAD DIST. NO. 1 [ILLINOIS] FED. AID PROJECT				
					SCALE: NONE	SHEET NO. 1 OF 1 SHEETS	STA.	TO STA.			