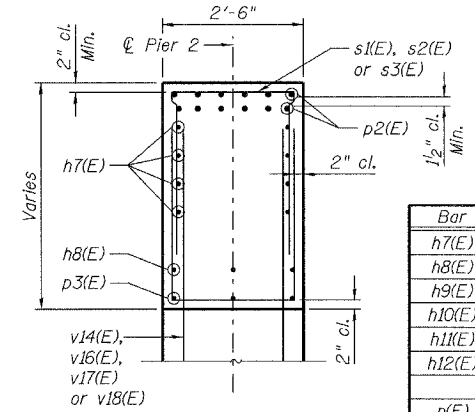
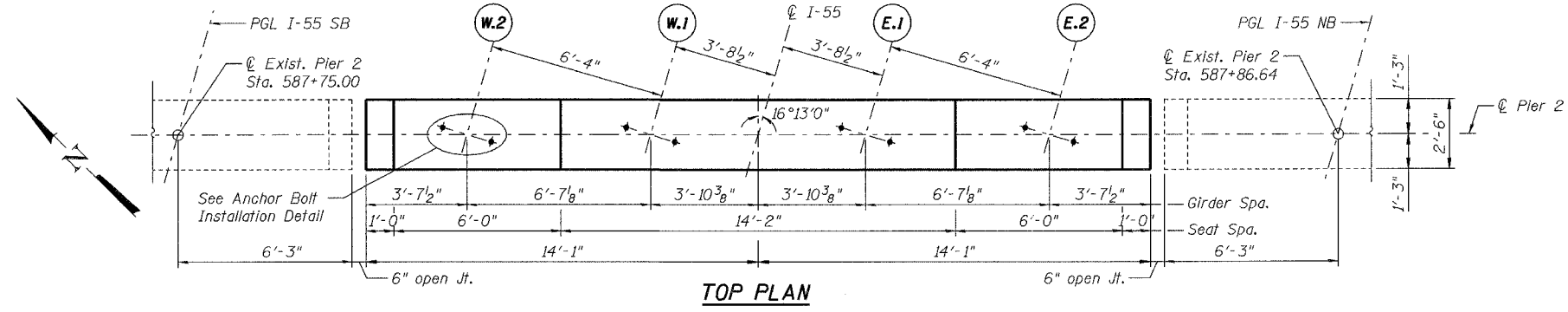


F.A.I. RTE.	SECTION	COUNTY	TOTAL SHEETS	SHEET NO.
55	2006-032 BY	WILL	565	288
STA.	TO STA.			
FED. ROAD DIST. NO.	ILLINOIS	FED. AID PROJECT		

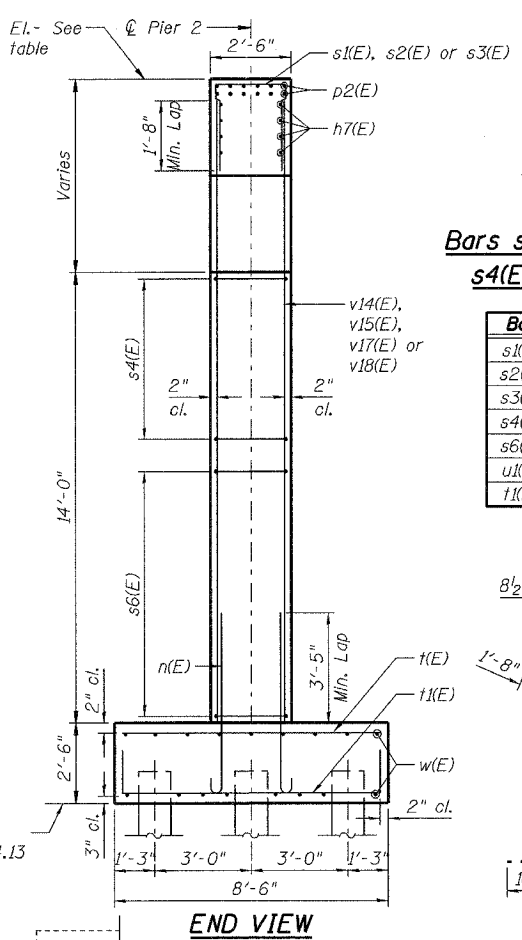
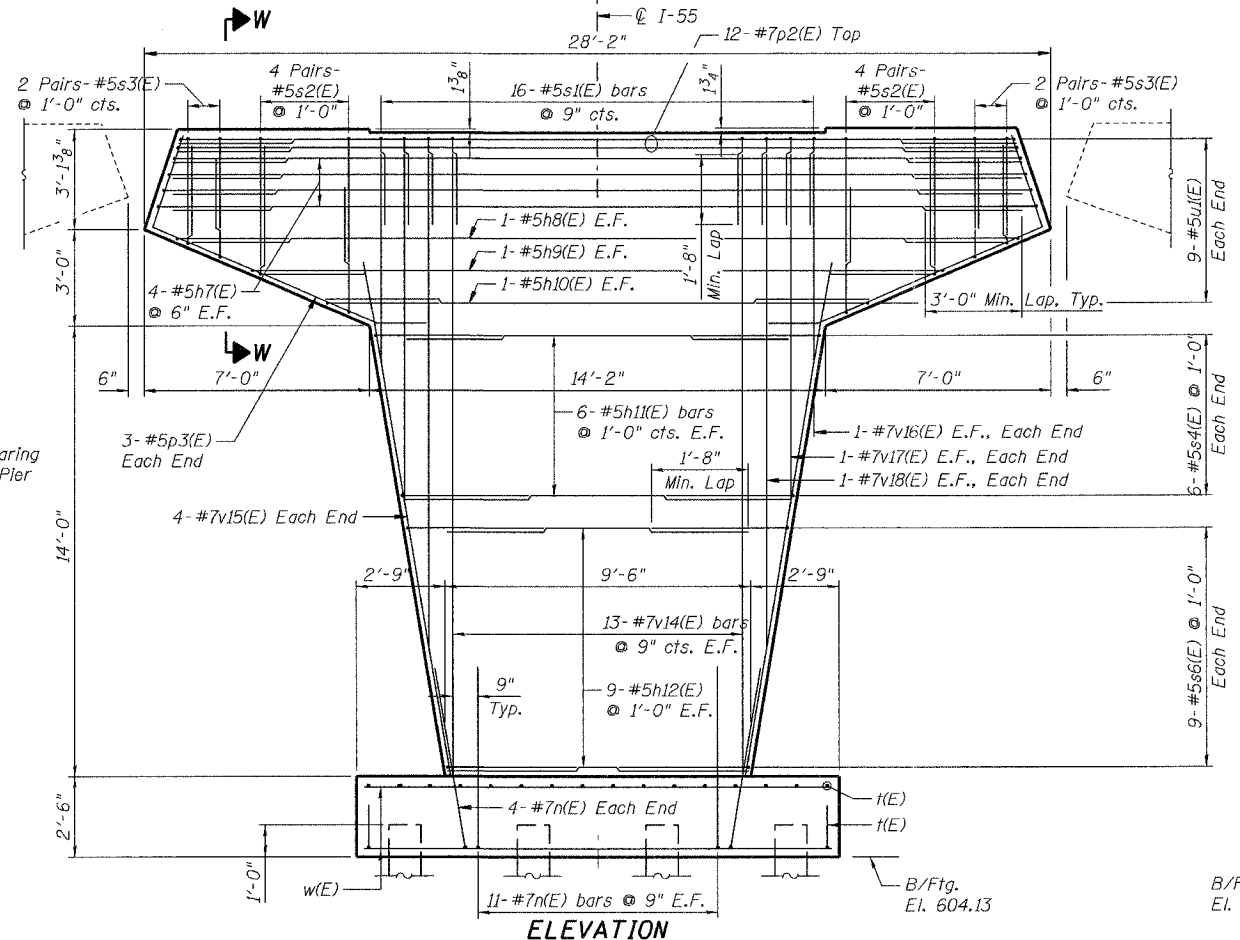


**BAR LIST**

Bar	No.	Size	Length	Shape
h7(E)	8	#5	26'-10"	
h8(E)	2	#5	26'-7"	
h9(E)	2	#5	22'-0"	
h10(E)	2	#5	17'-4"	
h11(E)	12	#5	11'-10"	
h12(E)	18	#5	9'-3"	
n(E)	30	#7	6'-5"	
p2(E)	12	#7	26'-0"	
p3(E)	6	#5	12'-2"	
s1(E)	16	#5	6'-10"	
s2(E)	16	#5	10'-6"	
s3(E)	8	#5	8'-2"	
s4(E)	12	#5	9'-8"	
s6(E)	18	#5	8'-0"	
t1(E)	16	#5	8'-2"	
t1(E)	14	#8	10'-10"	
u1(E)	18	#5	9'-2"	
v14(E)	26	#7	19'-2"	
v15(E)	8	#7	16'-6"	
v16(E)	2	#7	7'-7"	
v17(E)	2	#7	11'-7"	
v18(E)	2	#7	15'-7"	
w(E)	17	#5	14'-8"	

**Bearing Seat Elevation**

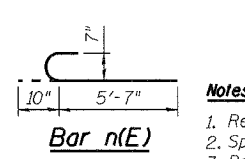
Beams	Elevation
W.2	626.74
W.1	626.63
E.1	626.63
E.2	626.78



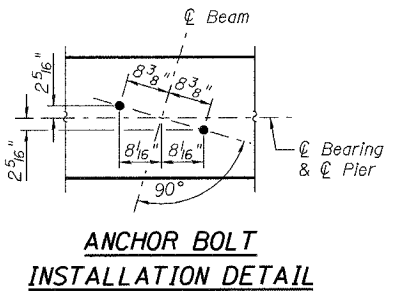
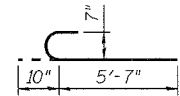
**Bars s1(E), s2(E), s3(E), s4(E), s6(E) & u1(E)**

Bar	A	B
s1(E)	2'-8"	2'-2"
s2(E)	4'-0"	2'-2"
s3(E)	3'-0"	2'-2"
s4(E)	4'-3"	2'-2"
s6(E)	2'-11"	2'-2"
u1(E)	3'-6"	2'-2"
t1(E)	1'-4"	8'-2"

**Bar p3(E)**



**Bar n(E)**



**PILE DATA**

Type: Steel HP12x53 w/ Metal Shoes  
 Design Capacity: Driven to Refusal  
 Required Bearing: -  
 Estimated Length: 26.4 ft  
 Number Required: 11 + 1 Test Pile

**BILL OF MATERIAL**

Item	Unit	Total
Structure Excavation	Cu. Yd.	64
Concrete Structures	Cu. Yd.	40.8
Reinforcement Bars, Epoxy Coated	Pound	4,820
Furnishing Steel Piles, HP12x53	Foot	286
Driving Steel Piles	Foot	286
Test Pile Steel HP12x53	Each	1
Metal Shoes	Each	11

**Notes:**

1. Reinforcement bars designated (E) shall be epoxy coated.
2. Space reinforcement in piers to miss anchor bolts.
3. Pour steps monolithically with cap.
4. All edges shall have standard 3/4" chamfers, except as noted.
5. E.F. indicates Each Face.
6. See Sht. SC-22 for bearing details.
7. See Sht. SC-23 for anchor bolt details.

**SHT. SC-29 OF 38**

REVISIONS	
NAME	DATE

ILLINOIS DEPARTMENT OF TRANSPORTATION  
 FAI ROUTE 55  
 US 30 (PLAINFIELD ROAD) TO LILY CACHE SLOUGH  
 SB & NB I-55 OVER US RTE. 30, S.N. 099-0016 & 099-0017  
 STA. 587+80.82, SECTION 2006-032 BY  
 WILL COUNTY

**PIER 2 WIDENING**

SCALE: DATE 07/05/06 DRAWN BY PA CHECKED BY MJK



TENG & ASSOCIATES, INC.  
 ENGINEERS/ARCHITECTS/PLANNERS  
 CHICAGO, ILLINOIS

**MORCOM, N.V., INC.**  
 CONSULTING ENGINEERS  
 CHICAGO, ILLINOIS

PLOT DATE = 07/05/06  
 PLOT NAME = PIER2  
 PLOT SCALE = AS CALLED  
 USER NAME = RUSSEB