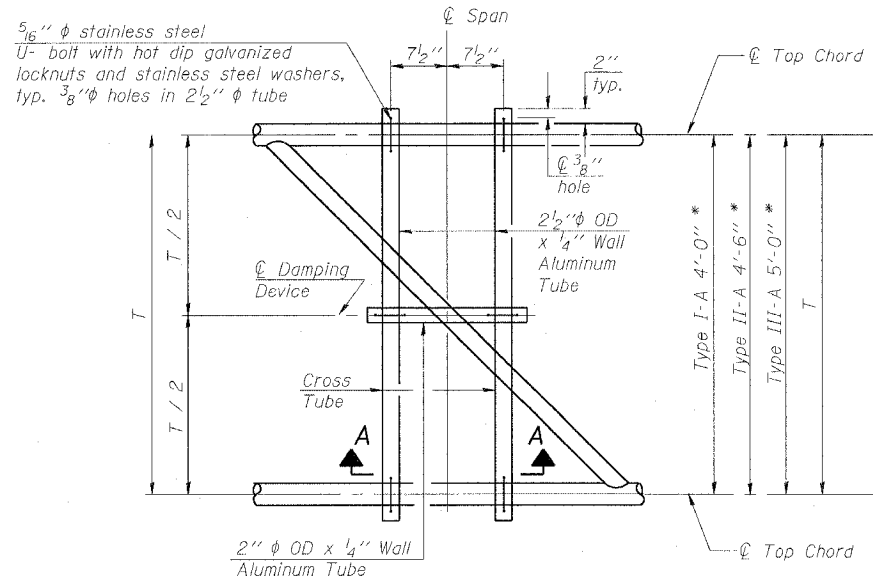


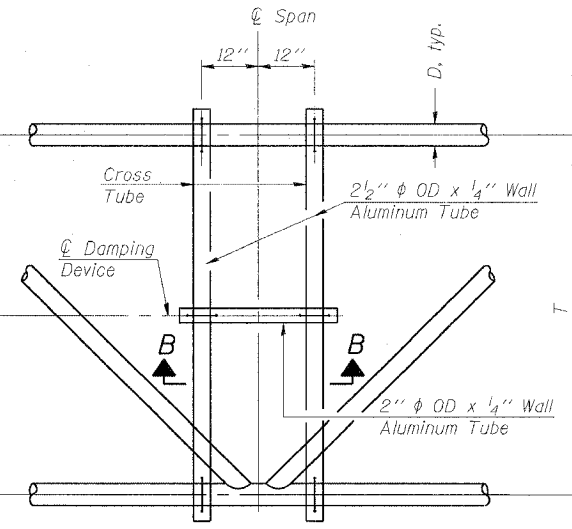
STATE OF ILLINOIS
DEPARTMENT OF TRANSPORTATION

* Center of horizontal to center of splice dimension may vary. Verify before drilling holes in mounting tube.

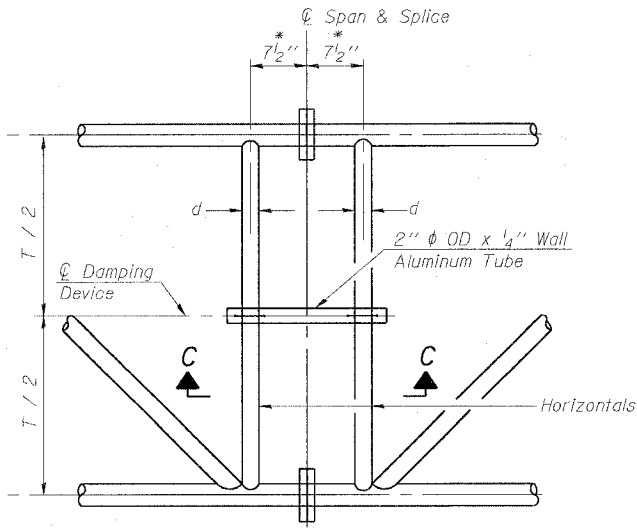
ROUTE NO.	SECTION	COUNTY	SHEET NO.	SHEET TOTAL
F.A.I. RTE. 90/94		COOK	312	143
FED. ROAD DIST. NO. 1	ILLINOIS	FED. AID PROJECT-		
* (1919.15 & 2021-922 PT.1) R-1				



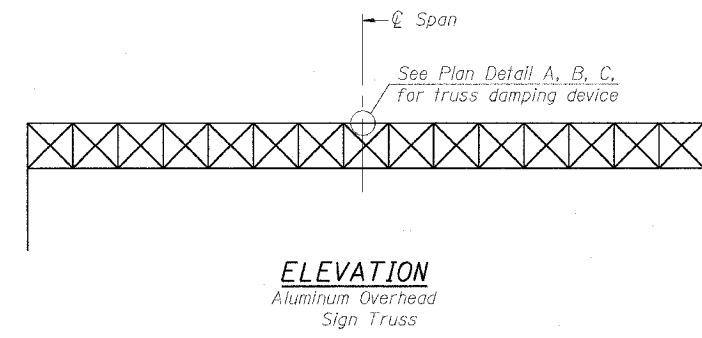
PLAN DETAIL "A"
Span between Panel Points



PLAN DETAIL "B"
Span at Panel Point

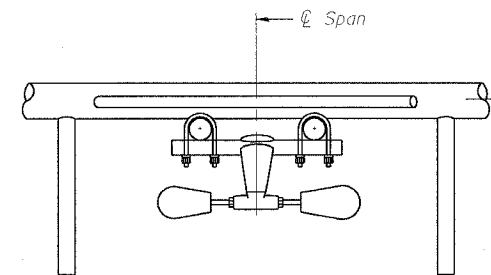


PLAN DETAIL "C"
Span at Chord Splice

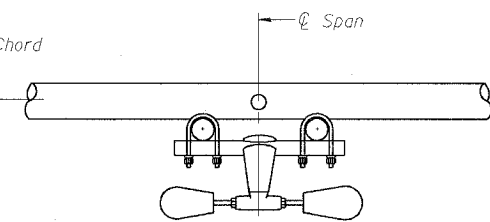


ELEVATION
Aluminum Overhead Sign Truss

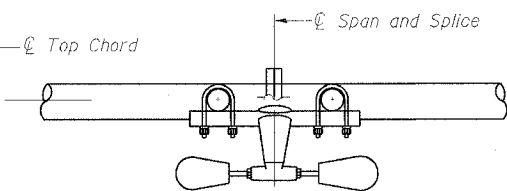
NOTES
Damper: One damper per truss. (31 lbs. Stockbridge-Type Aluminum)
Cost included in Overhead Sign Structure...
Materials: Aluminum tubes shall be ASTM B221 alloy 6061 temper T6. Cost included in Overhead Sign Structure...



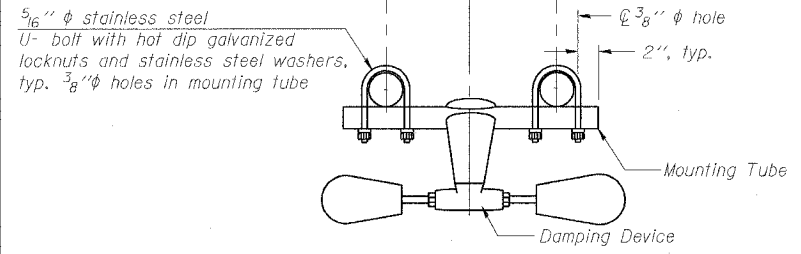
SECTION A-A



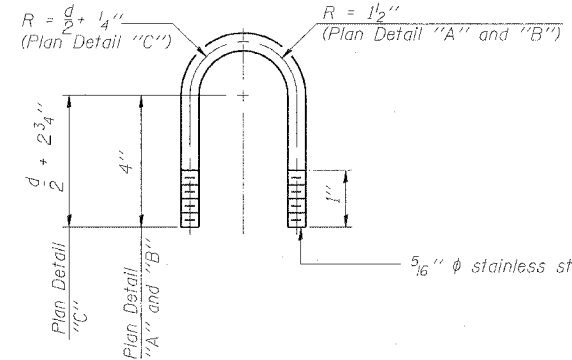
SECTION B-B



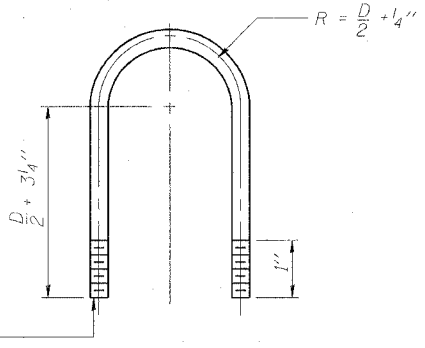
SECTION C-C



TRUSS DAMPING DEVICE CONNECTION DETAIL
(Typical)



DAMPING DEVICE MOUNTING TUBE U-BOLT DETAIL
(Typical)



TOP CHORD TO CROSS TUBE U-BOLT DETAIL
(Typical - Detail "A" and "B")

DESIGNED - JSS	20
CHECKED - RDP	EXAMINED
DRAWN - JSS	PASSED
CHECKED - RDP	ENGINEER OF STRUCTURAL SERVICES
	ENGINEER OF BRIDGES AND STRUCTURES

OS-A-D 1-7-05

OSS-16

OVERHEAD SIGN STRUCTURE DAMPING DEVICE

F.A.I. 90/94 (DAN RYAN EXPRESSWAY)
63RD STREET TO GARFIELD BLVD (NB LOCAL LANES)
PROPOSED IMPROVEMENT
63RD STREET TO GARFIELD BLVD

6/27/2006 11:56 AM