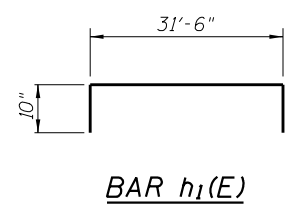
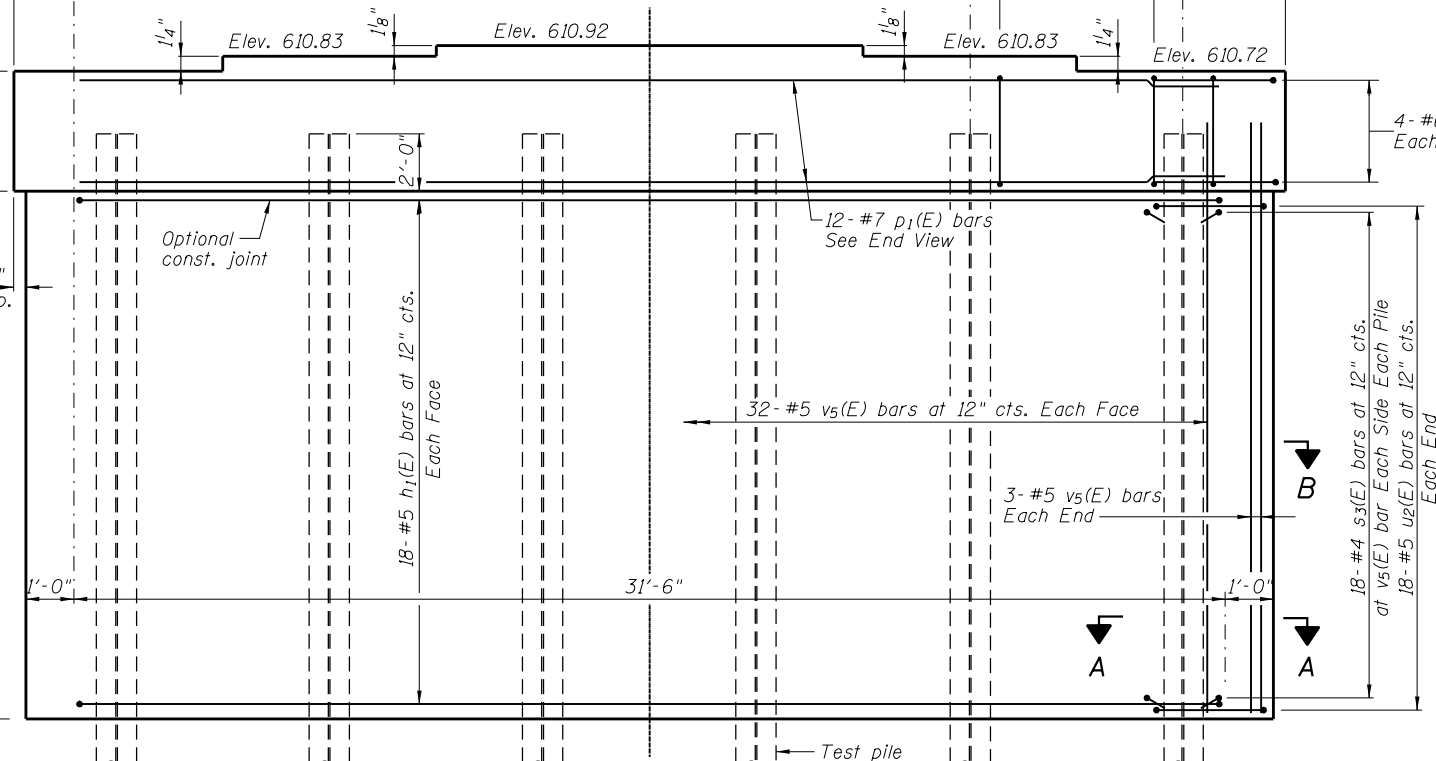
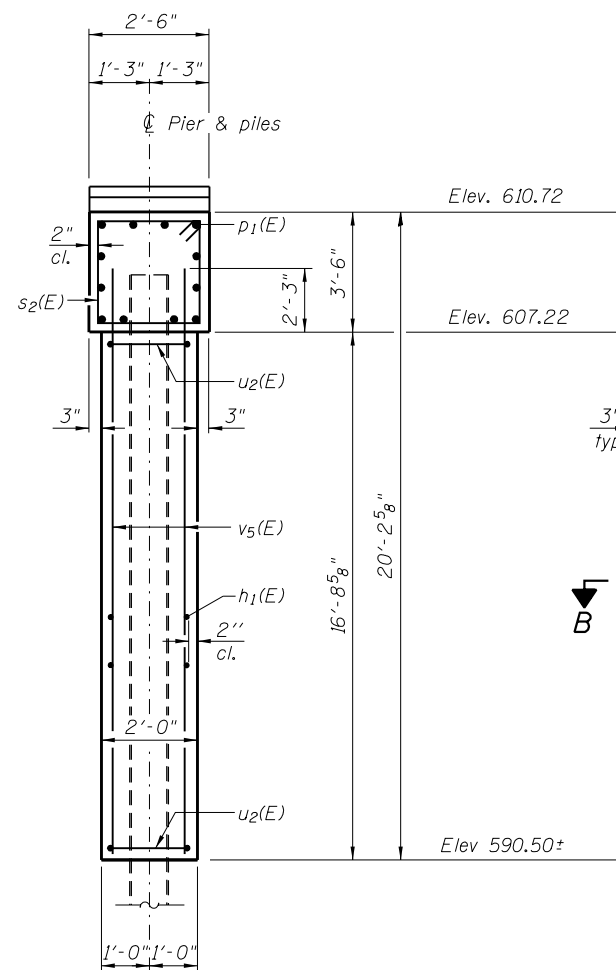
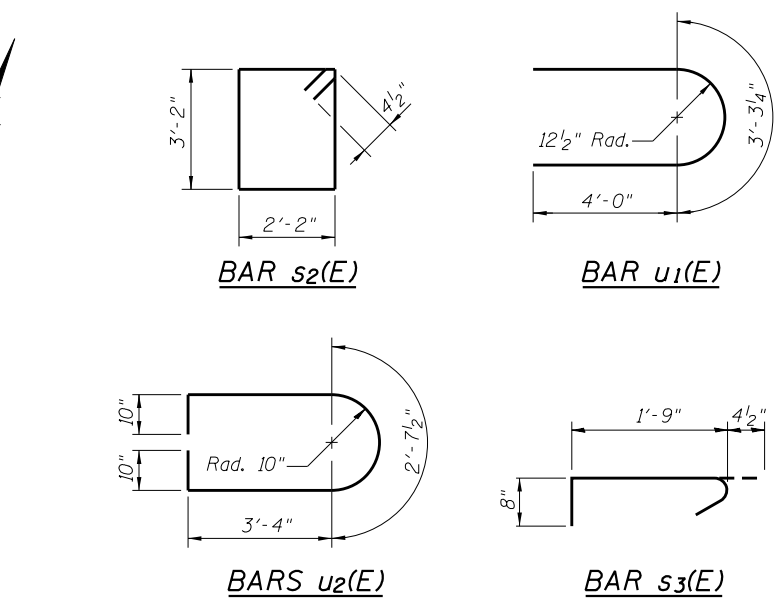
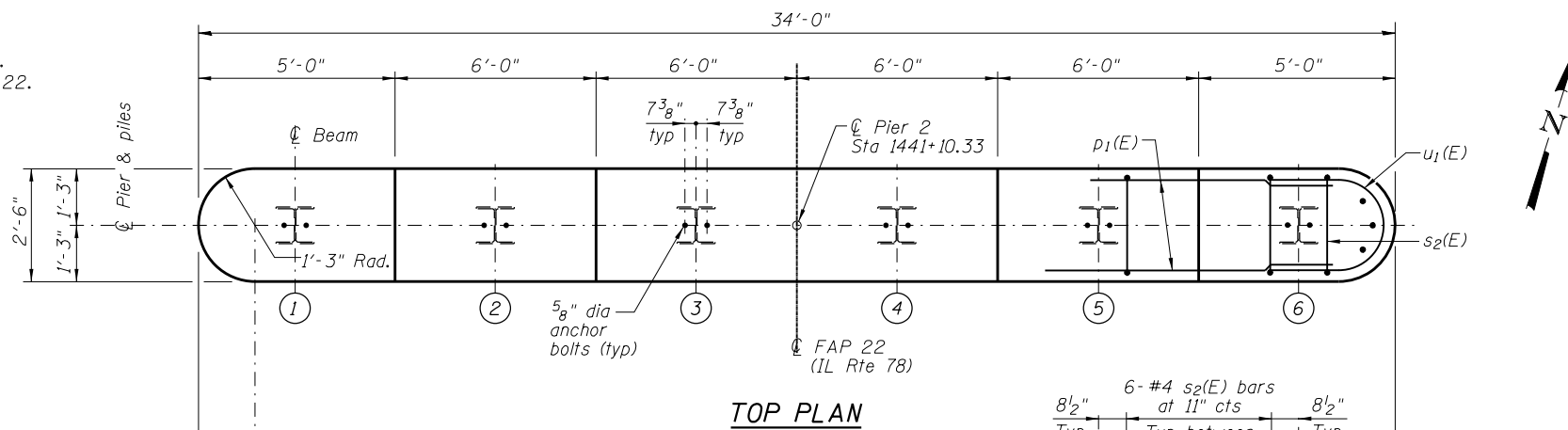


Notes:
 For details of piles, see sheet 20 of 22.
 For detail of cofferdam, see sheet 2 of 22.
 Pour steps monolithically with cap.
 Space reinforcement in pier cap to miss anchor bolts.



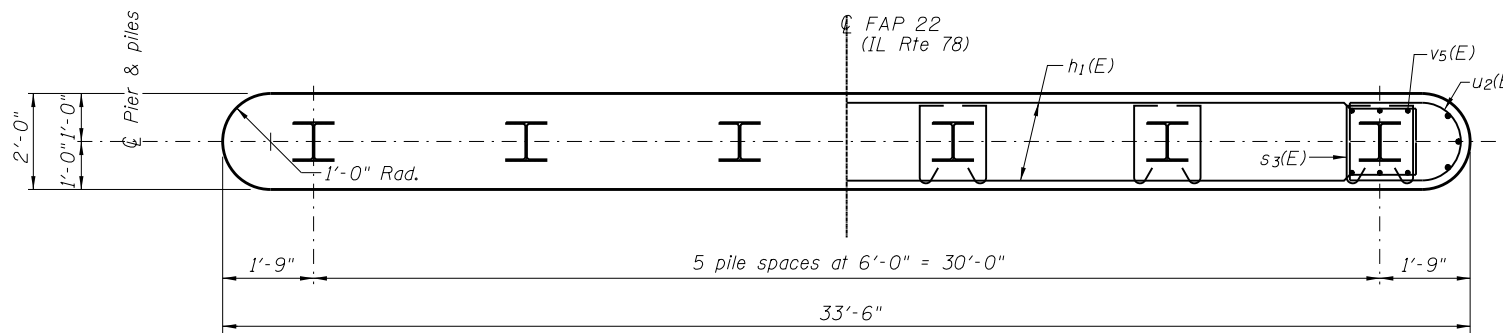
BILL OF MATERIAL

Bar	No.	Size	Length	Shape
h1(E)	36	#5	33'-2"	U
p1(E)	12	#7	31'-6"	—
s2(E)	32	#4	11'-5"	□
s3(E)	216	#4	2'-10"	U
u1(E)	8	#6	11'-3"	U
u2(E)	36	#5	11'-0"	U
v5(E)	70	#5	18'-11"	—
Concrete Structures		Cu. Yd.	52.1	
Reinforcement Bars, Epoxy Coated		Pound	4600	
Furnishing Steel Piles HP12x63		Foot	160	
Driving Piles		Foot	160	
Test Pile Steel HP12x63		Each	1	
Cofferdam (Type 2) (Location-2)		Each	1	
Cofferdam Excavation		Cu. Yd.	146	
Seal Coat Concrete		Cu. Yd.	46.2	

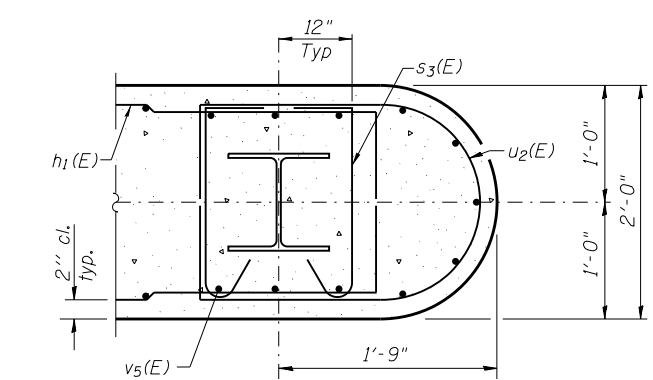
END VIEW

PILE DATA

Type: HP12x63
 Nominal Required Bearing: 491k
 Factored Resistance Available: 247k
 Est. Length: 32' min
 No. Production Piles: 5
 No. Test Piles: 1



SECTION B-B



SECTION A-A

FILE NAME = p:\planning\omodo\11\moss\gov\p\DOT\Documents\DOT Offices\District 4\Projects\04_68758\CADD\CADDsheets\IL78 Structural - IDOT Copies\pier2.dgn



USER NAME = jacobsmr
 PLOT TIME = 4:14:41 PM
 PLOT SCALE = 2.0000' / in.
 PLOT DATE = 5/9/2019

DESIGNED - ACB
 CHECKED - JMB
 DRAWN - RLK
 CHECKED - JMB

REVISED -
 REVISED -
 REVISED -
 REVISED -

STATE OF ILLINOIS
 DEPARTMENT OF TRANSPORTATION

PIER 2 DETAILS
 STRUCTURE NO. 048-0095

SHEET NO. 19 OF 24 SHEETS

F.A.P. RTE.	SECTION	COUNTY	TOTAL SHEETS	SHEET NO.
22	48(I-B)R(CR)	KNOX	94	47
CONTRACT NO. 68758				

ILLINOIS FED. AID PROJECT