

STATE OF ILLINOIS
DEPARTMENT OF TRANSPORTATION

F.A.P. RTE.	SECTION	COUNTY	TOTAL SHEETS	SHEET NO.
327	D7 TREE REMOVAL 2025-2	LAWRENCE	15	1
ILLINOIS			CONTRACT NO. 74D31	

D-97-070-24

FOR INDEX OF SHEETS, SEE SHEET NO. 2
ADT: 4100 (2023)

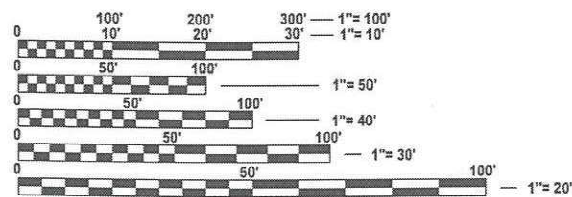
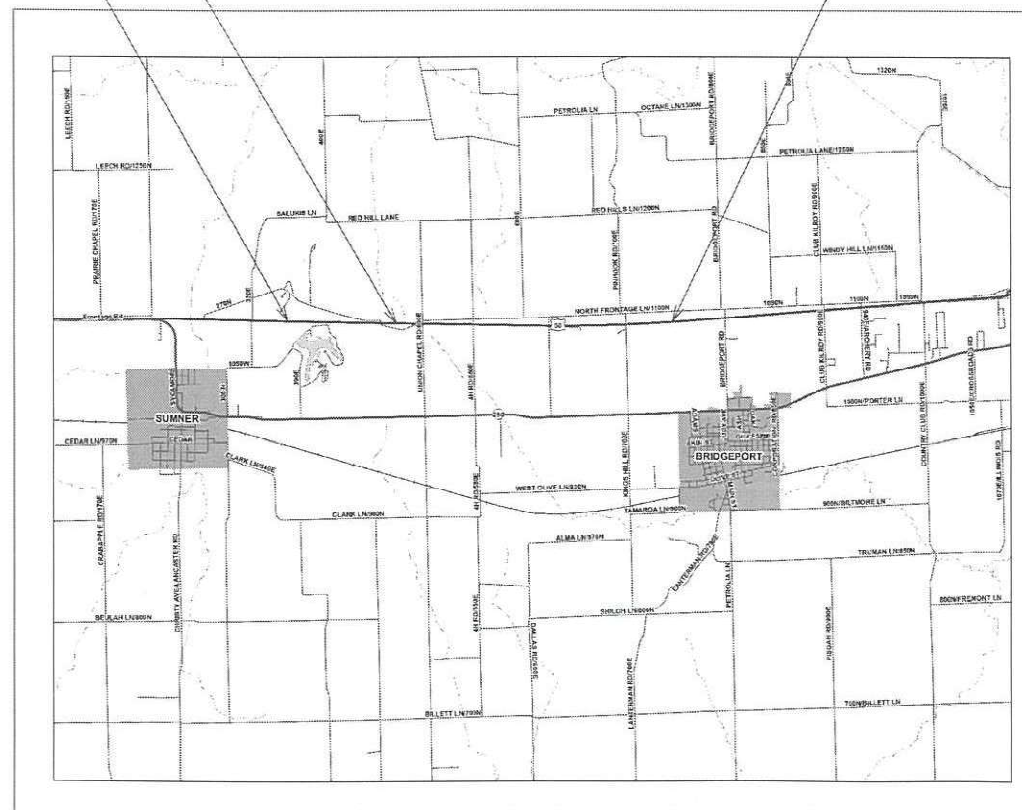
PROPOSED
HIGHWAY PLANS

FAP ROUTE 327 (US 50)
SECTION D7 TREE REMOVAL 2025-2
TREE REMOVAL
LAWRENCE COUNTY



STA EQUATION
STA 192+90.50 BK/
STA 192+83.00 AH
PROJECT BEGINS: 144+95
PROJECT ENDS: 300+00

C-97-105-24



FULL SIZE PLANS HAVE BEEN PREPARED USING STANDARD ENGINEERING SCALES. REDUCED SIZED PLANS WILL NOT CONFORM TO STANDARD SCALES. IN MAKING MEASUREMENTS ON REDUCED PLANS, THE ABOVE SCALES MAY BE USED.

J.U.L.I.E.
JOINT UTILITY LOCATION INFORMATION FOR EXCAVATION
1-800-892-0123
OR 811

PROJECT ENGINEER: MATT BOWER
PROJECT MANAGER: LEVI LUND

CONTRACT NO. 74D31

GROSS LENGTH = 15505.00 FT. = 2.937 MILE

NET LENGTH = 15505.00 FT. = 2.937 MILE

STATE OF ILLINOIS
DEPARTMENT OF TRANSPORTATION

SUBMITTED JUNE 10 2025
Lora Rensings
REGIONAL ENGINEER

August 15 2025
[Signature]
ENGINEER OF DESIGN AND ENVIRONMENT

August 15 2025
[Signature]
DIRECTOR OF HIGHWAYS PROJECT IMPLEMENTATION

PRINTED BY THE AUTHORITY
OF THE STATE OF ILLINOIS

100% STATE

CODE NO.	ITEM	UNIT	TOTAL QUANTITY	NONE	
				0031	RURAL
20100500	TREE REMOVAL, ACRES	ACRE	11	11	
25000320	SEEDING, CLASS 5	ACRE	11	11	
25000400	NITROGEN FERTILIZER NUTRIENT	POUND	990	990	
25000500	PHOSPHORUS FERTILIZER NUTRIENT	POUND	990	990	
25000600	POTASSIUM FERTILIZER NUTRIENT	POUND	990	990	
67100100	MOBILIZATION	L SUM	1	1	
70100450	TRAFFIC CONTROL AND PROTECTION, STANDARD 701201	L SUM	1	1	
A2001016	TREE, ACER RUBRUM (RED MAPLE), 2" CALIPER, BALLED AND BURLAPPED	EACH	20	20	
A2001716	TREE, ACER SACCHARUM (SUGAR MAPLE), 2" CALIPER, BALLED AND BURLAPPED	EACH	20	20	
A2004416	TREE, GINKGO BILOBA (GINKGO), 2" CALIPER, BALLED AND BURLAPPED	EACH	20	20	
A2006416	TREE, QUERCUS ALBA (WHITE OAK), 2" CALIPER, BALLED AND BURLAPPED	EACH	20	20	
A2006516	TREE, QUERCUS BICOLOR (SWAMP WHITE OAK), 2" CALIPER, BALLED AND BURLAPPED	EACH	20	20	
A2006716	TREE, QUERCUS MACROCARPA (BUR OAK), 2" CALIPER, BALLED AND BURLAPPED	EACH	20	20	
A2006816	TREE, QUERCUS MUEHLENBERGII (CHINKAPIN OAK), 2" CALIPER, BALLED AND BURLAPPED	EACH	20	20	
A2022166	TREE, AESCULUS PAVIA (RED BUCKEYE), 6' HEIGHT, BALLED AND BURLAPPED	EACH	20	20	
B2001116	TREE, CERCIS CANADENSIS (EASTERN REDBUD), 2" CALIPER, TREE FORM, BALLED AND BURLAPPED	EACH	20	20	
B2010165	TREE, CORNUS KOUSA (KOUSA DOGWOOD), 5' HEIGHT, BALLED AND BURLAPPED	EACH	20	20	

MODEL: SOQ (Sheet)
FILE NAME: c:\p\work\visio\coll\mod\1013619\ID74D31-41h-SOQ.dgn

USER NAME = levi.lund	DESIGNED -	REVISED -
	DRAWN -	REVISED -
	CHECKED -	REVISED -
PLOT DATE = 5/13/2025	DATE -	REVISED -

**STATE OF ILLINOIS
DEPARTMENT OF TRANSPORTATION**

SUMMARY OF QUANTITIES

SCALE: SHEET 3 OF 1 SHEETS STA. TO STA.

F.A.P. RTE.	SECTION	COUNTY	TOTAL SHEETS	SHEET NO.
327	D7 TREE REMOVAL 2025-2	LAWRENCE	15	3
CONTRACT NO. 74D31				
ILLINOIS FED. AID PROJECT				

MODEL: Schedule (Sheet)
 FILE NAME: c:\pw\work\viscol\und\1013619\ID74D31-shtschedule.dgn

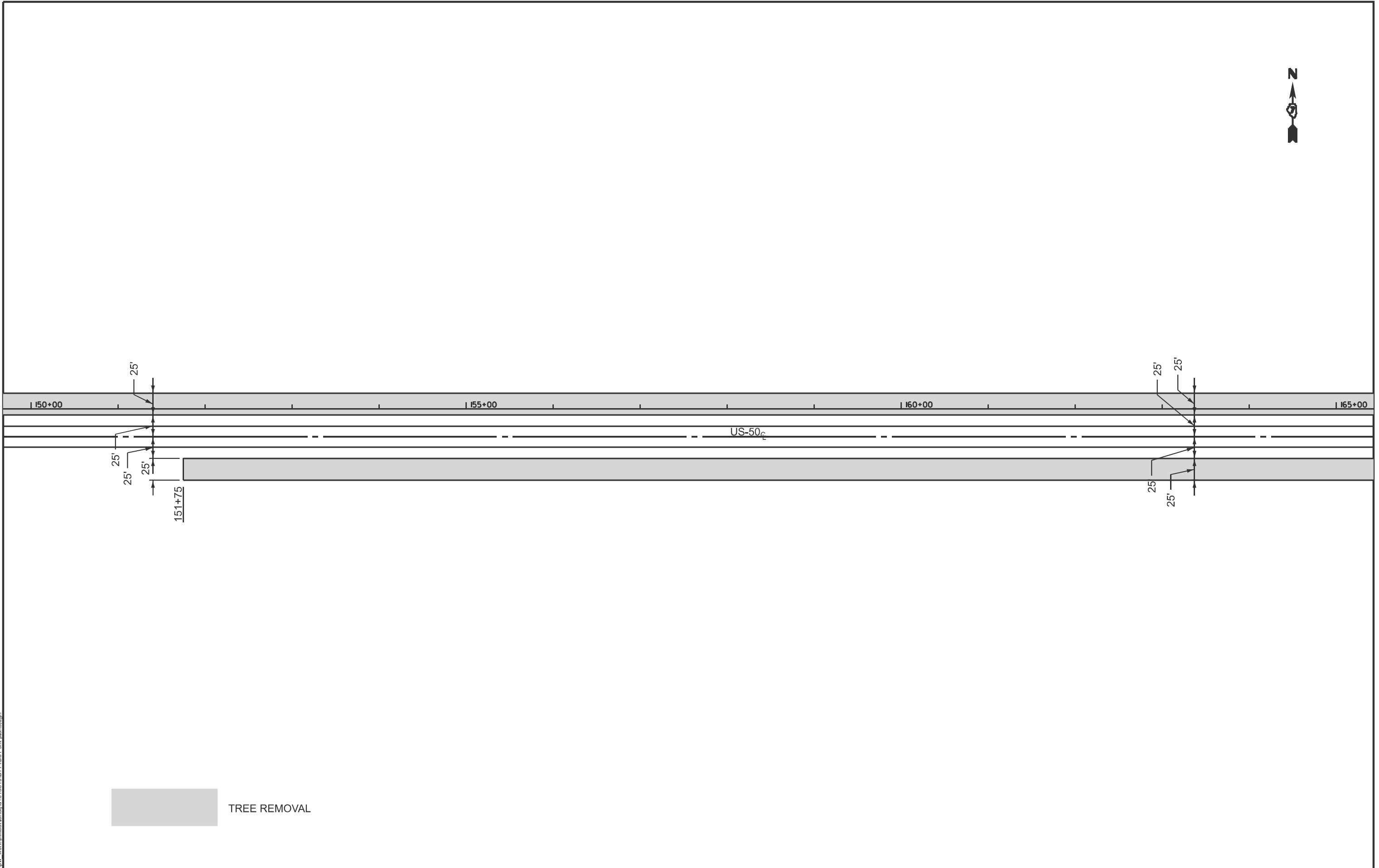
TREE REMOVAL SCHEDULE						
EAST BOUND						
STATION	TO	STATION	LENGTH	WIDTH	SQ FT	ACRE
151+75		172+00	2025	25	50625	1.16
175+00		190+00	1500	25	37500	0.86
236+00		245+50	950	25	23750	0.55
249+00		256+50	750	25	18750	0.43
263+75		269+50	575	25	14375	0.33
279+00		300+00	2100	25	52500	1.21
WEST BOUND						
STATION	TO	STATION	LENGTH	WIDTH	SQ FT	ACRE
300+00		270+00	3000	25	75000	1.72
266+50		263+75	275	25	6875	0.16
256+75		237+00	1975	25	49375	1.13
220+00		199+25	2075	25	51875	1.19
188+50		175+00	1350	25	33750	0.77
171+50		144+95	2655	25	66375	1.52
					TOTAL:	11

USER NAME = levi.lund	DESIGNED -	REVISED -
	DRAWN -	REVISED -
	CHECKED -	REVISED -
PLOT DATE = 4/1/2025	DATE -	REVISED -

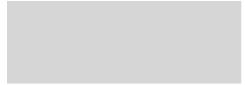
**STATE OF ILLINOIS
 DEPARTMENT OF TRANSPORTATION**

SCHEDULE OF QUANTITIES			
SCALE:	SHEET 4	OF 1	SHEETS
	STA.		TO STA.

F.A.P. RTE.	SECTION	COUNTY	TOTAL SHEETS	SHEET NO.
327	D7 TREE REMOVAL 2025-2	LAWRENCE	15	4
CONTRACT NO. 74D31				
ILLINOIS FED. AID PROJECT				



MODEL: Plan Sheet 2 [Sheet]
 FILE NAME: c:\p\work\civil\und\1013619\074D31-ahp\plans.dgn



TREE REMOVAL

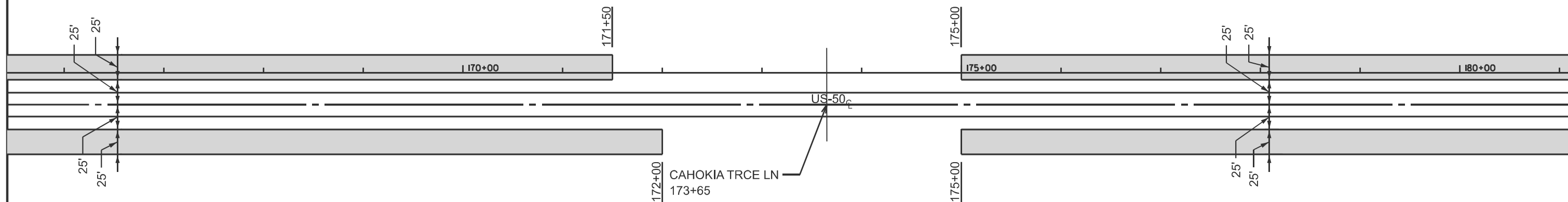
USER NAME = lvi.lund	DESIGNED -	REVISED -
	DRAWN -	REVISED -
	CHECKED -	REVISED -
PLOT DATE = 6/4/2025	DATE -	REVISED -

STATE OF ILLINOIS
 DEPARTMENT OF TRANSPORTATION

TREE REMOVAL PLAN SHEETS

SCALE: SHEET 6 OF 11 SHEETS STA. TO STA.

F.A.P. RTE.	SECTION	COUNTY	TOTAL SHEETS	SHEET NO.
327	D7 TREE REMOVAL 2025-2	LAWRENCE	15	6
ILLINOIS FED. AID PROJECT			CONTRACT NO. 74D31	



 TREE REMOVAL

MODEL: Plan Sheet 3 [Sheet]
FILE NAME: c:\p\work\evicollund\1013619\174D31-ehh\plans.dgn

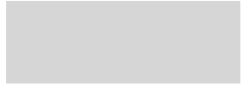
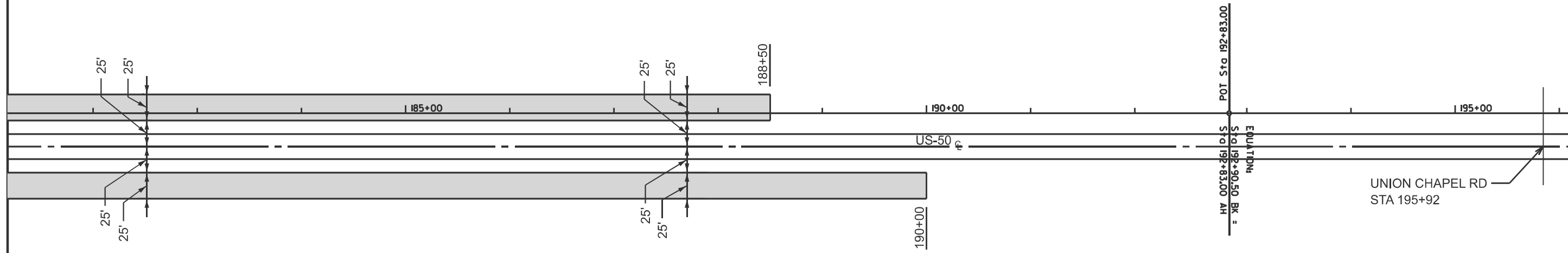
USER NAME = lvi.lund	DESIGNED -	REVISED -
	DRAWN -	REVISED -
	CHECKED -	REVISED -
PLOT DATE = 6/4/2025	DATE -	REVISED -

**STATE OF ILLINOIS
DEPARTMENT OF TRANSPORTATION**

TREE REMOVAL PLAN SHEETS

SCALE: SHEET 7 OF 11 SHEETS STA. TO STA.

F.A.P. RTE.	SECTION	COUNTY	TOTAL SHEETS	SHEET NO.
327	D7 TREE REMOVAL 2025-2	LAWRENCE	15	7
CONTRACT NO. 74D31				
ILLINOIS FED. AID PROJECT				



TREE REMOVAL

MODEL: Plan Sheet 4 [Sheet]
 FILE NAME: c:\p\work\wiscol\und\1013619\ID74D31-ehp\plans.dgn

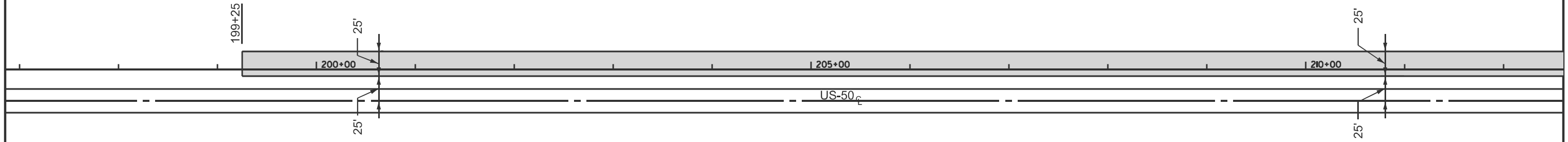
USER NAME = lvi.lund	DESIGNED -	REVISED -
	DRAWN -	REVISED -
	CHECKED -	REVISED -
PLOT DATE = 4/2/2025	DATE -	REVISED -

**STATE OF ILLINOIS
DEPARTMENT OF TRANSPORTATION**

TREE REMOVAL PLAN SHEETS

SCALE: SHEET 8 OF 11 SHEETS STA. TO STA.

F.A.P. RTE.	SECTION	COUNTY	TOTAL SHEETS	SHEET NO.
327	D7 TREE REMOVAL 2025-2	LAWRENCE	15	8
CONTRACT NO. 74D31				
ILLINOIS FED. AID PROJECT				



 TREE REMOVAL

MODEL: Plan Sheet 5 [Sheet]
 FILE NAME: c:\p\work\evict\land\1013619\ID74D31-shrplans.dgn

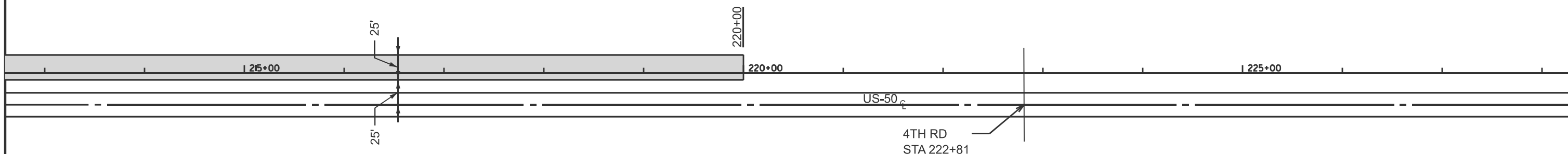
USER NAME = levi.lund	DESIGNED -	REVISED -
	DRAWN -	REVISED -
	CHECKED -	REVISED -
PLOT DATE = 4/2/2025	DATE -	REVISED -

**STATE OF ILLINOIS
 DEPARTMENT OF TRANSPORTATION**

TREE REMOVAL PLAN SHEETS

SCALE: SHEET 9 OF 11 SHEETS STA. TO STA.

F.A.P. RTE.	SECTION	COUNTY	TOTAL SHEETS	SHEET NO.
327	D7 TREE REMOVAL 2025-2	LAWRENCE	15	9
CONTRACT NO. 74D31				
ILLINOIS FED. AID PROJECT				



 TREE REMOVAL

MODEL: Plan Sheet 6 [Sheet]
FILE NAME: c:\p\work\civil\und\1013619\ID74D31-4thrdplan.dgn

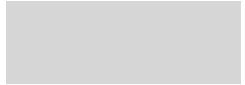
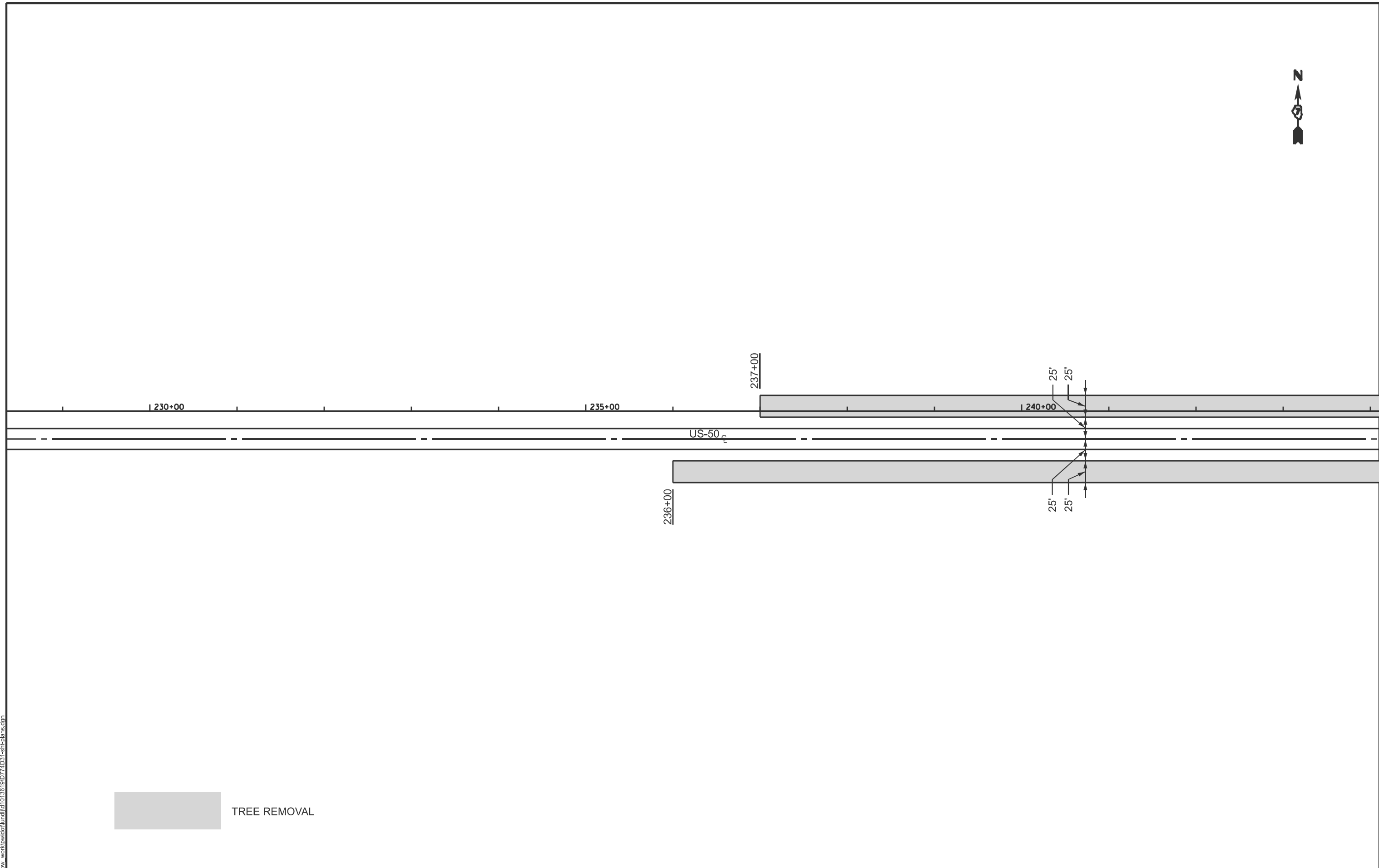
USER NAME = levi.lund	DESIGNED -	REVISED -
	DRAWN -	REVISED -
	CHECKED -	REVISED -
PLOT DATE = 4/2/2025	DATE -	REVISED -

**STATE OF ILLINOIS
DEPARTMENT OF TRANSPORTATION**

TREE REMOVAL PLAN SHEETS

SCALE: SHEET 10 OF 11 SHEETS STA. TO STA.

F.A.P. RTE.	SECTION	COUNTY	TOTAL SHEETS	SHEET NO.
327	D7 TREE REMOVAL 2025-2	LAWRENCE	15	10
CONTRACT NO. 74D31				
ILLINOIS FED. AID PROJECT				



TREE REMOVAL

MODEL: Plan Sheet 7 (Sheet)
FILE NAME: c:\p\work\evicollund\1013619\ID74D31-shrplans.dgn

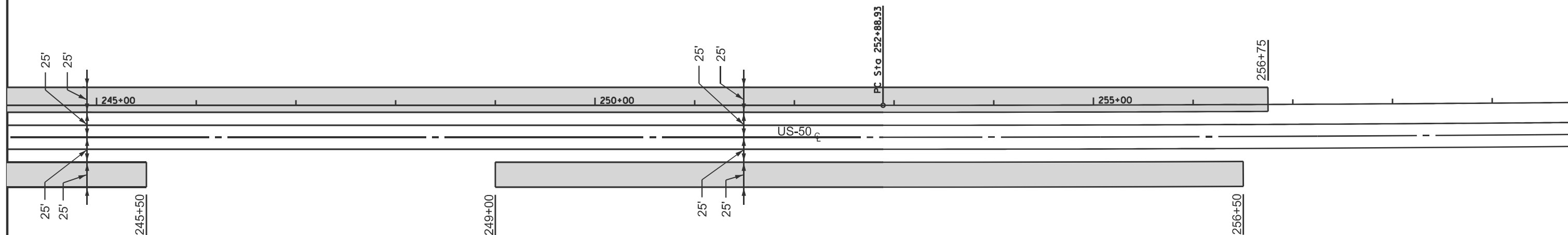
USER NAME = lvi.lund	DESIGNED -	REVISED -
	DRAWN -	REVISED -
	CHECKED -	REVISED -
PLOT DATE = 4/2/2025	DATE -	REVISED -

**STATE OF ILLINOIS
DEPARTMENT OF TRANSPORTATION**

TREE REMOVAL PLAN SHEETS

SCALE: SHEET 11 OF 11 SHEETS STA. TO STA.

F.A.P. RTE.	SECTION	COUNTY	TOTAL SHEETS	SHEET NO.
327	D7 TREE REMOVAL 2025-2	LAWRENCE	15	11
CONTRACT NO. 74D31				
ILLINOIS FED. AID PROJECT				



MODEL: Plan Sheet 8 (Sheet)
 FILE NAME: c:\p\work\wiscol\und\1013619\ID74D31-srh-plans.dgn

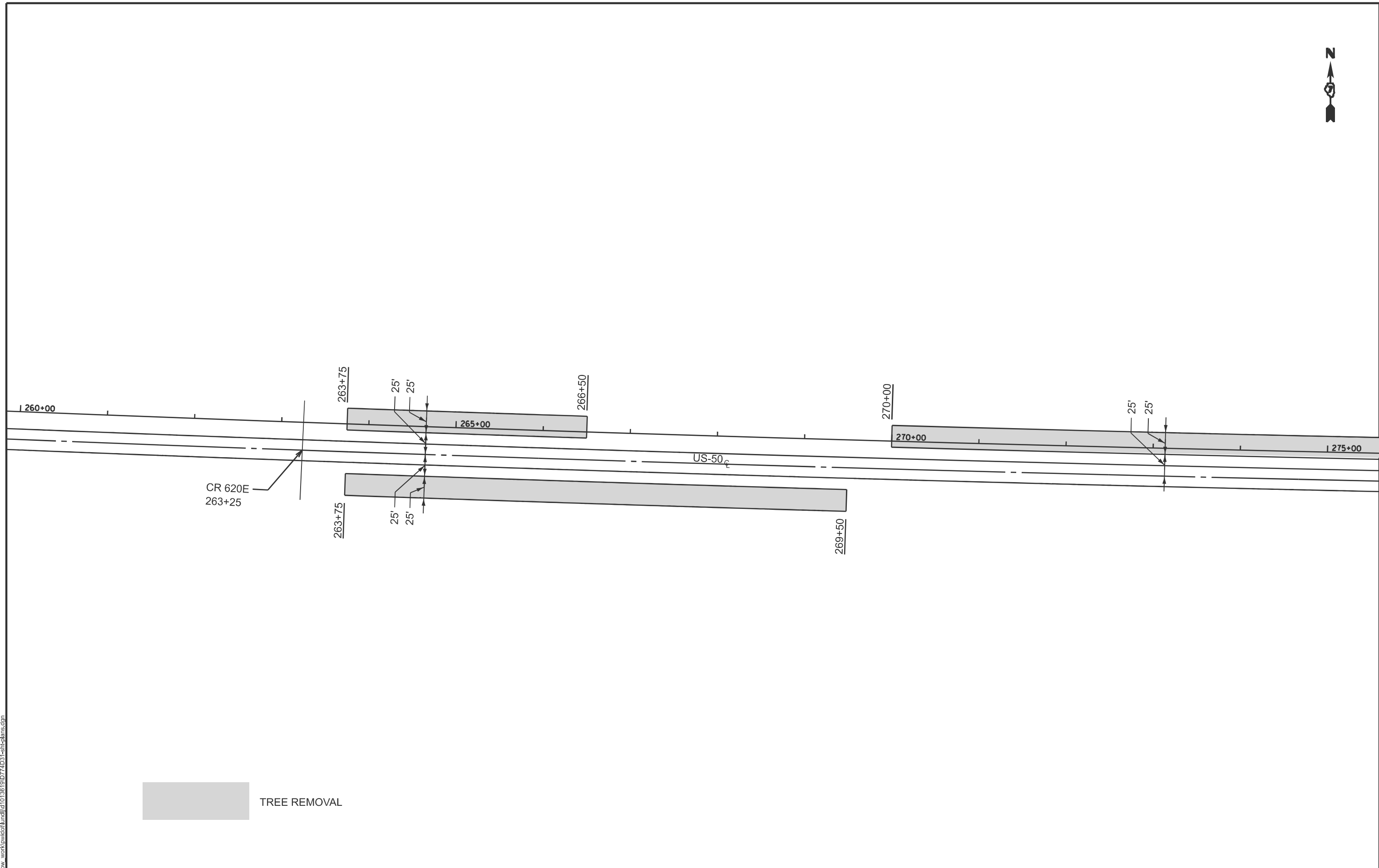
USER NAME = lvi.lund	DESIGNED -	REVISED -
	DRAWN -	REVISED -
	CHECKED -	REVISED -
PLOT DATE = 4/2/2025	DATE -	REVISED -

**STATE OF ILLINOIS
 DEPARTMENT OF TRANSPORTATION**

TREE REMOVAL PLAN SHEETS

SCALE: SHEET 12 OF 11 SHEETS STA. TO STA.

F.A.P. RTE.	SECTION	COUNTY	TOTAL SHEETS	SHEET NO.
327	D7 TREE REMOVAL 2025-2	LAWRENCE	15	12
CONTRACT NO. 74D31				
ILLINOIS FED. AID PROJECT				



 TREE REMOVAL

MODEL: Plan Sheet 9 [Sheet]
 FILE NAME: c:\p\work\civil\land\1013619\1013619\74D31-1\hr\plans.dgn

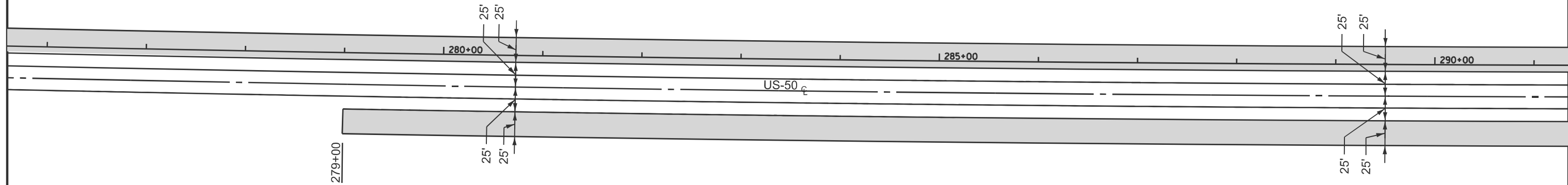
USER NAME = levi.lund	DESIGNED -	REVISED -
	DRAWN -	REVISED -
	CHECKED -	REVISED -
PLOT DATE = 4/2/2025	DATE -	REVISED -

**STATE OF ILLINOIS
DEPARTMENT OF TRANSPORTATION**

TREE REMOVAL PLAN SHEETS

SCALE: SHEET 13 OF 11 SHEETS STA. TO STA.

F.A.P. RTE.	SECTION	COUNTY	TOTAL SHEETS	SHEET NO.
327	D7 TREE REMOVAL 2025-2	LAWRENCE	15	13
CONTRACT NO. 74D31				
		ILLINOIS	FED. AID PROJECT	



MODEL: Plan Sheet 10 (Sheet)
 FILE NAME: c:\p\work\revise\lund\1013619\1013619\74D31-ehp\plans.dgn

 TREE REMOVAL

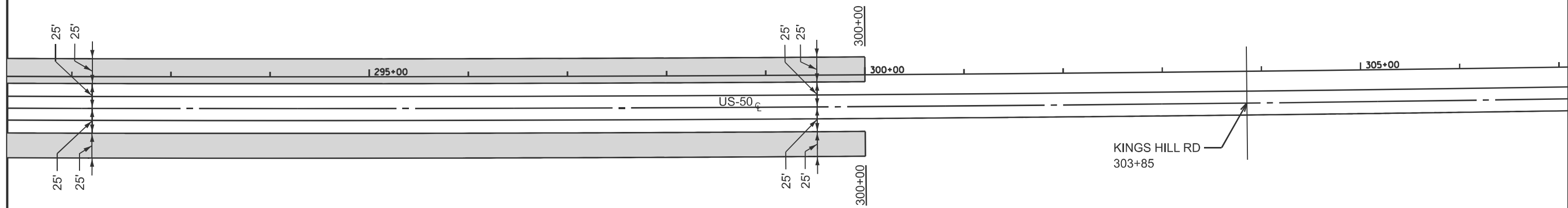
USER NAME = levi.lund	DESIGNED -	REVISED -
	DRAWN -	REVISED -
	CHECKED -	REVISED -
PLOT DATE = 4/2/2025	DATE -	REVISED -

**STATE OF ILLINOIS
 DEPARTMENT OF TRANSPORTATION**

TREE REMOVAL PLAN SHEETS

SCALE: SHEET 14 OF 11 SHEETS STA. TO STA.

F.A.P. RTE.	SECTION	COUNTY	TOTAL SHEETS	SHEET NO.
327	D7 TREE REMOVAL 2025-2	LAWRENCE	15	14
CONTRACT NO. 74D31				
ILLINOIS FED. AID PROJECT				



 TREE REMOVAL

MODEL: Plan Sheet 11 (Sheet)
FILE NAME: c:\p\work\wiscol\und\1013619\074D31-ehp\plans.dgn

USER NAME = lvi.lund	DESIGNED -	REVISED -
	DRAWN -	REVISED -
	CHECKED -	REVISED -
PLOT DATE = 4/2/2025	DATE -	REVISED -

**STATE OF ILLINOIS
DEPARTMENT OF TRANSPORTATION**

TREE REMOVAL PLAN SHEETS

SCALE: SHEET 15 OF 11 SHEETS STA. TO STA.

F.A.P. RTE.	SECTION	COUNTY	TOTAL SHEETS	SHEET NO.
327	D7 TREE REMOVAL 2025-2	LAWRENCE	15	15
CONTRACT NO. 74D31				
		ILLINOIS	FED. AID PROJECT	