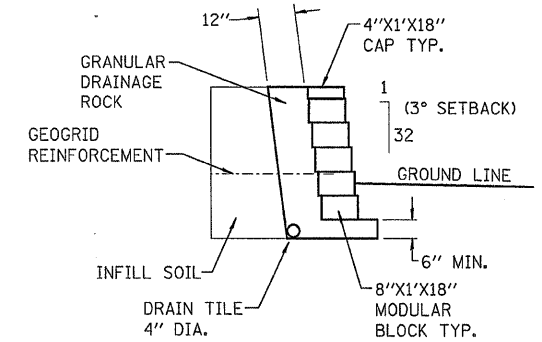
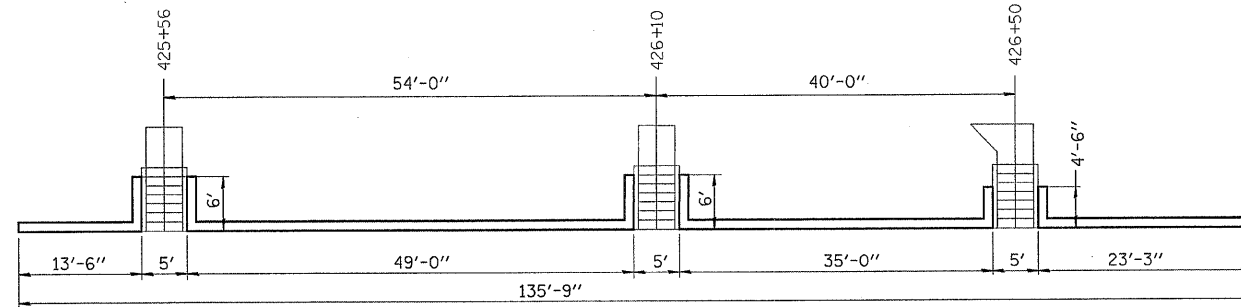
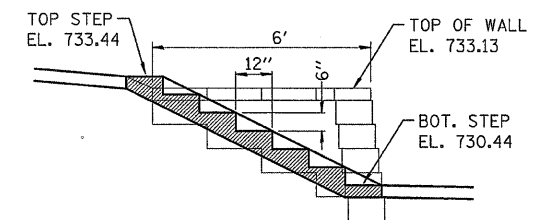
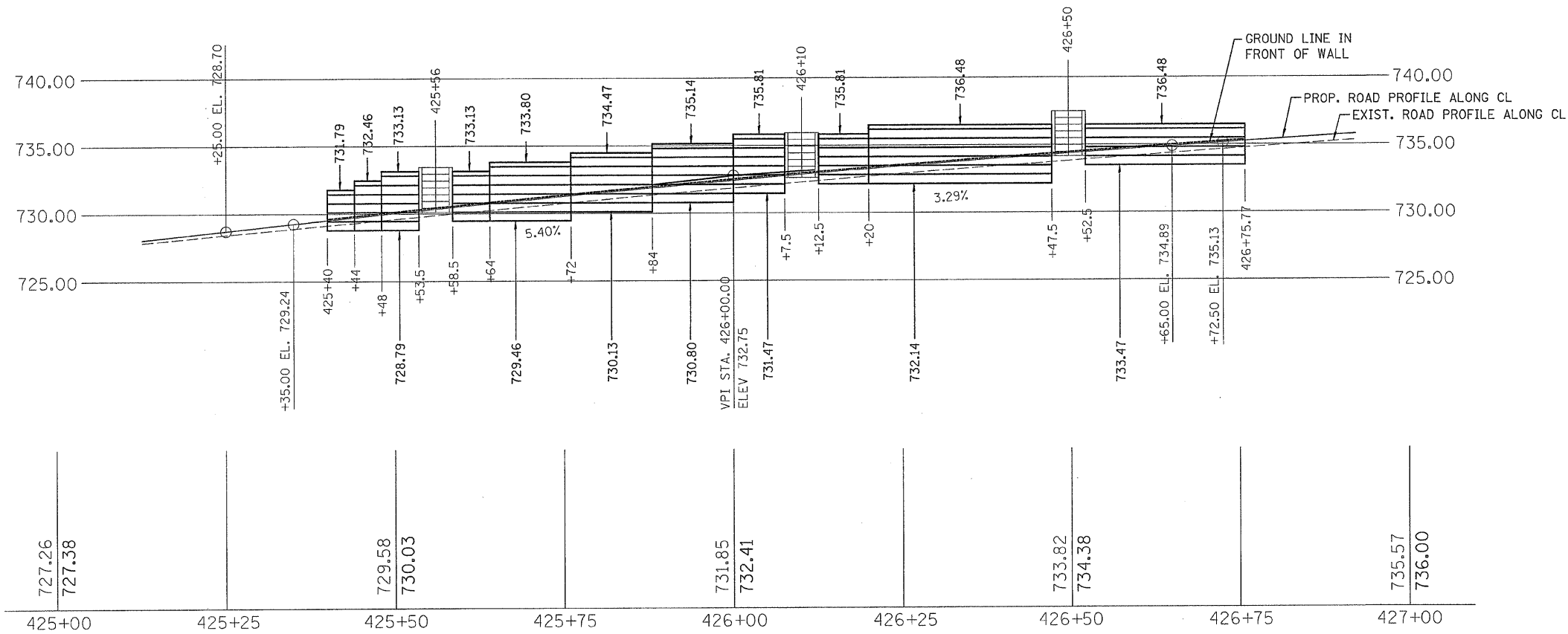


SEGMENTAL CONCRETE BLOCK WALL SYSTEM

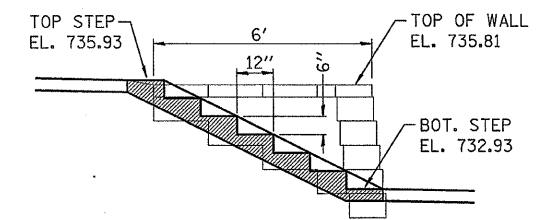
F.A. R.T.E.	SECTION	COUNTY	TOTAL SHEETS	SHEET NO.
FAP734	98-00480-00-BR 03-00222-00-TL	WINNEBAGO	62	22
STA. _____		TO STA. _____		
FED. ROAD DIST. NO. _____ ILLINOIS FED. AID PROJECT				



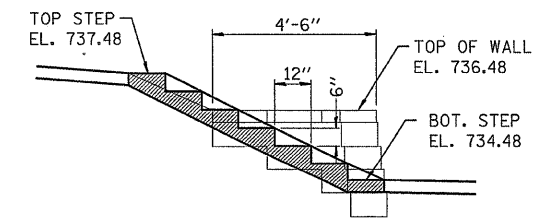
TYPICAL CROSS SECTION THRU RETAINING WALL



CROSS SECTION @ 425+56



CROSS SECTION @ 426+10



CROSS SECTION @ 426+50

DATE/TIME
A00N-SPEC
REF
REF
REF