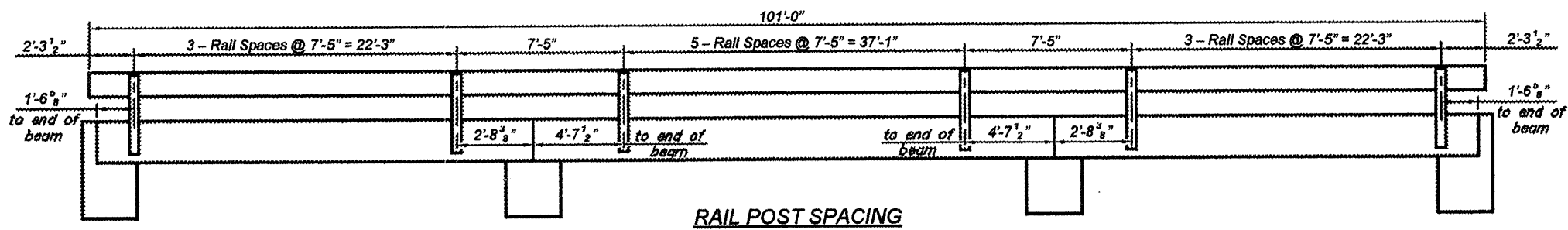
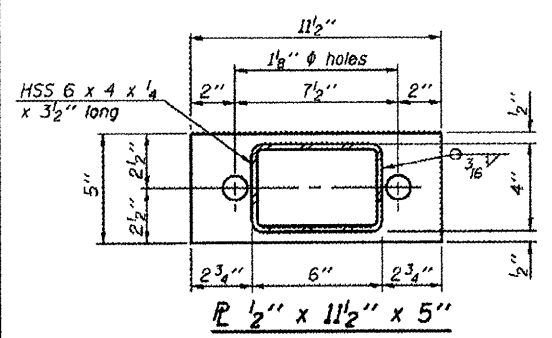


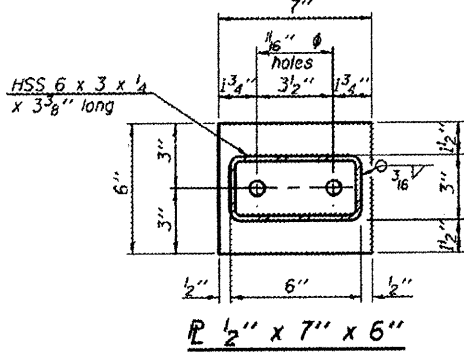
ROUTE	SECTION	COUNTY	TOTAL SHEETS	SHEET NO.
TR 23	09-01181-00-BR	PULASKI	13	10
PROJECT NO. BROS-153(31)			CONTRACT NO. 99421	



RAIL POST SPACING

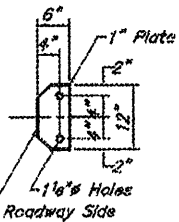


SECTION B-B

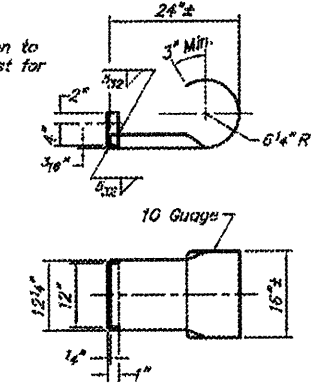


SECTION AT RAILING POST

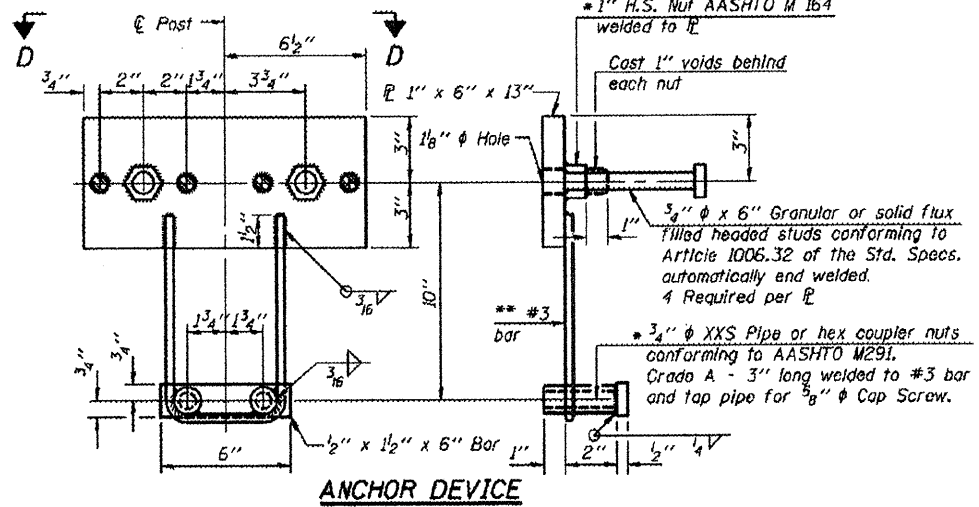
NOTE: Curled End Section to be included in the cost for Steel Railing, Type S1 Two (2) required.



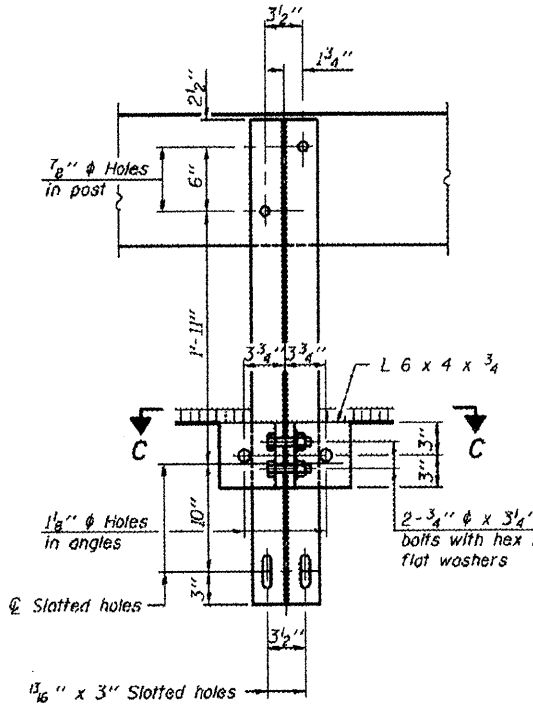
CURLLED END SECTION DETAILS



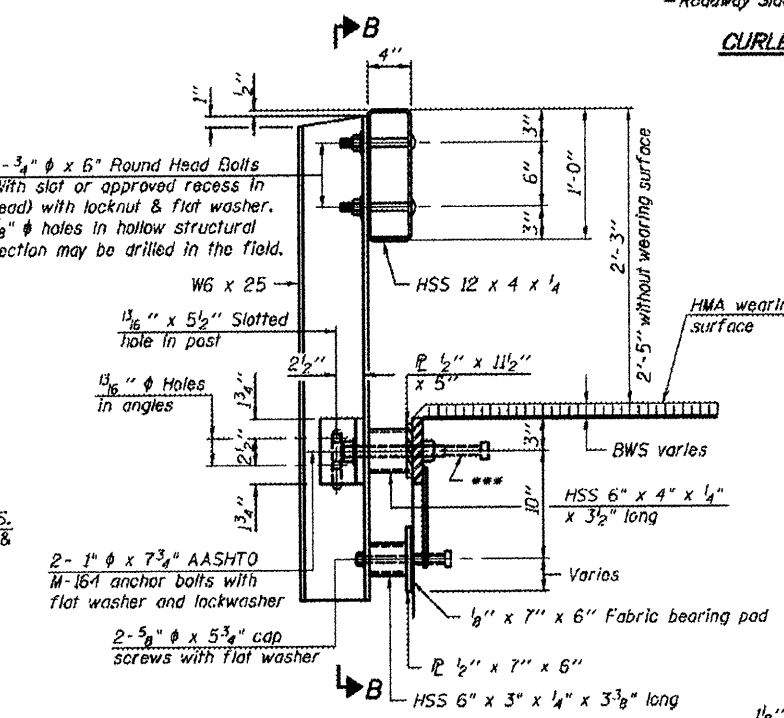
VIEW A-A ROUND HEAD BOLT



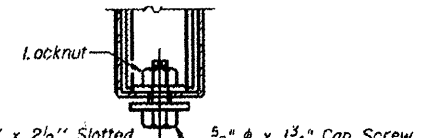
ANCHOR DEVICE



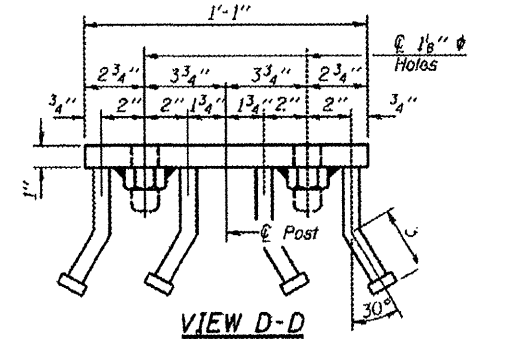
SECTION C-C



SECTION AT RAILING POST



RAIL SPLICE CONNECTION AT EXPANSION JT.

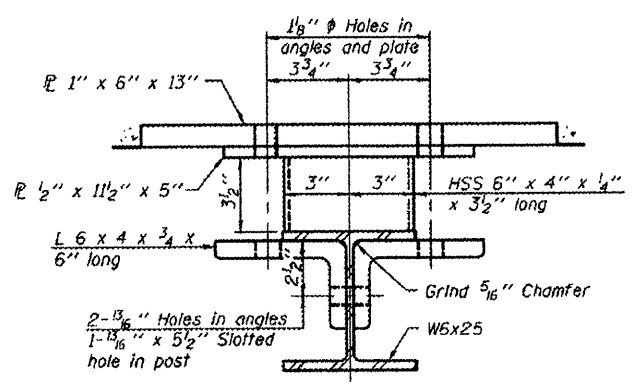


VIEW D-D

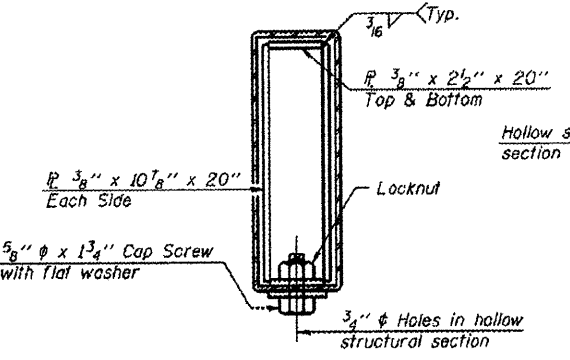
Notes:
 All field drilled holes shall be coated with an approved zinc rich paint before erection.
 For multi-span bridges, sufficient 1/4" x 6" x 1'-2" galvanized steel shims shall be provided to align rail between adjacent spans. Cost included with Steel Railing, Type S-1.
 All steel rail elements shall be galvanized according to Article 509.05 of the Standard Specifications.
 * Threaded areas shall be plugged or blocked off during casting of beam.
 ** Whenever the lower insert assemblies interfere with strand locations, the #3 bars shall be cut and adjusted in order to allow raising or lowering of the lower inserts. Maximum adjustment not to exceed 1/2".
 *** The studs of the anchor devices shall be placed below the top reinforcement bars and the outermost longitudinal reinforcement bar shall be placed directly above the studs of the rail post anchor device.
 10'-9" Maximum Post Spacing

BILL OF MATERIAL

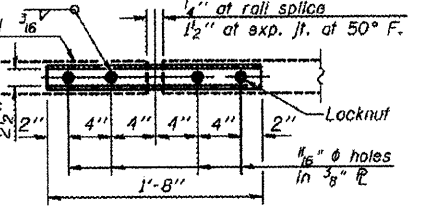
Item	Unit	Quantity
Steel Railing, Type S-1	Foot	202



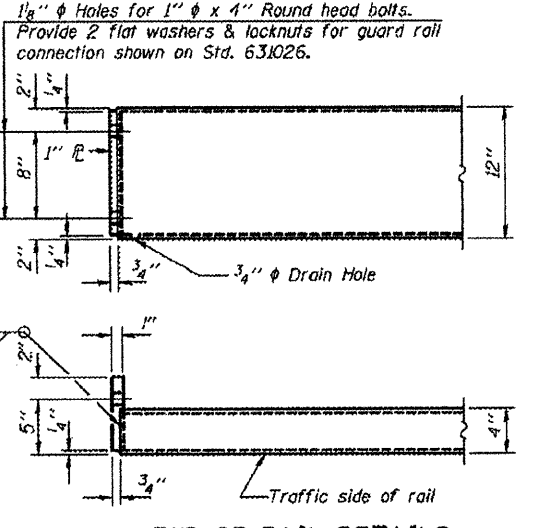
SECTION C-C



SECTIONS AT RAIL SPLICE



PLAN-BOTT. SPLICE P TYPICAL



END OF RAIL DETAILS

**STEEL RAILING, TYPE S-1
 TOWNSHIP ROUTE 23 (ELCO ROAD)
 INDIAN CAMP CREEK
 SECTION 09-01181-00-BR
 PULASKI COUNTY
 STRUCTURE NO. 077-3141**