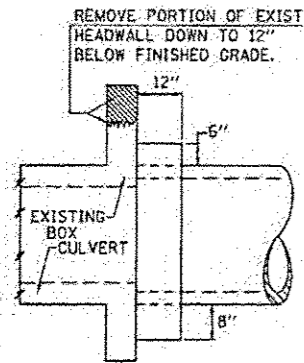
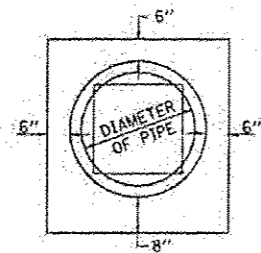


DETAILS OF CONCRETE COLLAR



SIDE VIEW



END VIEW

TABULATION

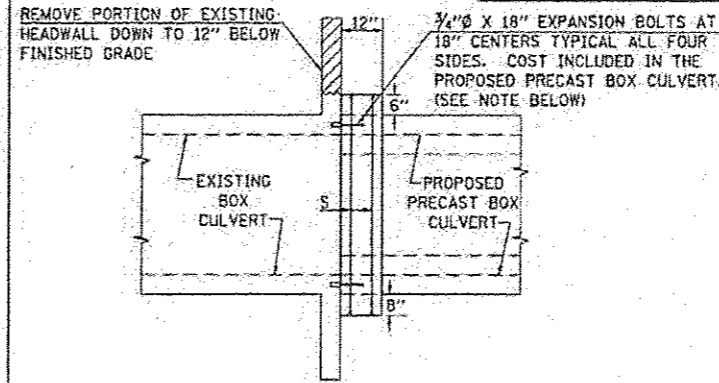
DIAMETER OF PIPE	CL SI CONC CU YDS EST
12"	0.16
15"	0.19
18"	0.21
24"	0.29
30"	0.37
36"	0.44
42"	0.53
48"	0.62
54"	0.71
60"	0.81
72"	1.03

THE CONCRETE COLLAR SHALL BE PAID FOR AT THE CONTRACT UNIT PRICE PER CUBIC YARD FOR CONCRETE COLLAR, AS SHOWN ON THE PLANS, WHICH PRICE SHALL INCLUDE THE REMOVAL OF SUCH PORTIONS OF THE EXISTING HEADWALLS AS MAY BE REQUIRED.

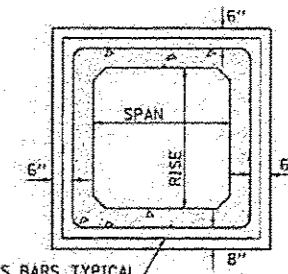
CLASS SI CONCRETE SHALL BE USED THROUGHOUT.

REVISIONS
 DRAWN 2-18-89
 REVISED 6-19-84
 REVISED 3-25-88
 STD. 9-19

DETAILS OF CONCRETE COLLAR FOR PRECAST BOX CULVERT



SIDE VIEW



END VIEW

TABULATION (FOR INFORMATION PURPOSES ONLY)

SPAN X RISE	CLASS SI CONC CU. YD. (EST.)
2' X 2'	0.26
3' X 2'	0.30
3' X 3'	0.34
4' X 2'	0.36
4' X 3'	0.39
4' X 4'	0.43
5' X 2'	0.41
5' X 3'	0.45
5' X 4'	0.49
6' X 2'	0.47
6' X 3'	0.51
6' X 4'	0.54

THE CONCRETE COLLAR SHALL BE CONSIDERED INCLUDED IN PRECAST CONCRETE BOX CULVERT, WHICH PRICE SHALL INCLUDE THE REMOVAL OF SUCH PORTIONS OF THE EXISTING HEADWALLS AS MAY BE REQUIRED. CLASS SI CONCRETE SHALL BE USED THROUGHOUT.

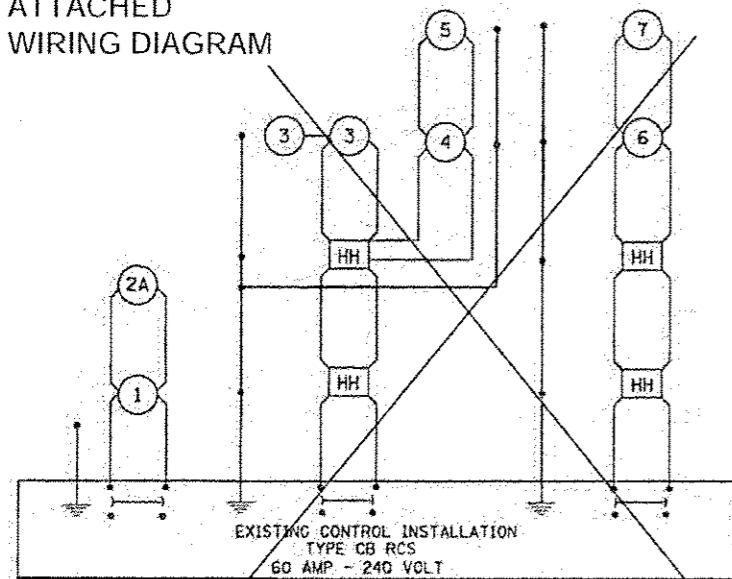
NOTE:

ANCHOR BOLTS, MEETING THE REQUIREMENTS OF ARTICLE 1006.09 OF THE STANDARD SPECIFICATIONS, SHALL EXTEND A MINIMUM OF 9 INCHES INTO THE NEW CONCRETE. EXPANSION SHIELDS SHALL PROVIDE A MINIMUM CERTIFIED PROOF LOAD OF 4080 POUNDS.

REVISIONS
 DRAWN 6-15-89
 REVISED 2-19-90
 REVISED 1-10-94
 REVISED 8-19-94
 STD. 9-45

WIRING DIAGRAM FOR LIGHTING

SEE THE ATTACHED WIRING DIAGRAM



NOTES:

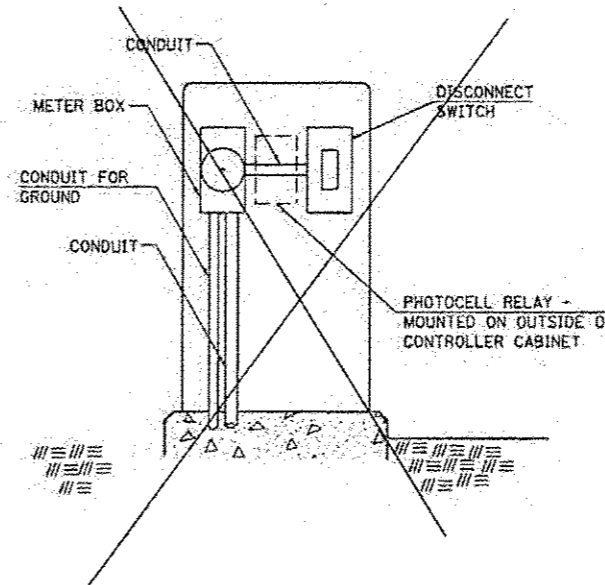
- FOR SIZE AND TYPE OF CABLE USED FOR LIGHTING INSTALLATION SEE CABLE DIAGRAM SHEET NO.
- POWER TO CONTROL INSTALLATION SHALL REMAIN AS IS.

LEGEND FOR WIRING DIAGRAM

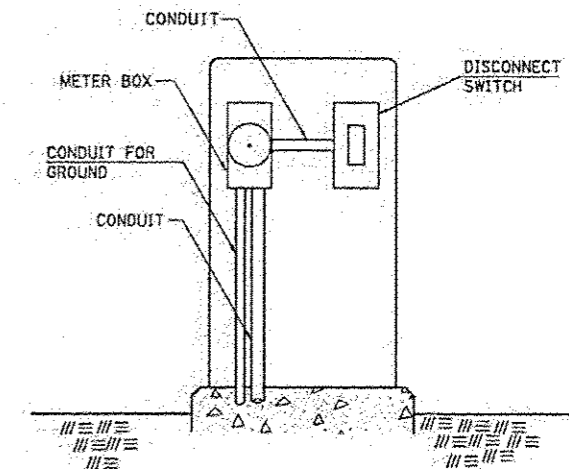
- HH** INDICATES PROPOSED TRAFFIC SIGNAL HANDHOLE. NOTE: THE SIGNAL CONDUIT SYSTEM SHALL BE UTILIZED TO INSTALL WIRING FOR ALL THE PROPOSED LIGHTING SYSTEM, EXCEPT FOR LIGHT POLES NO.
- 1** NUMBER INDICATES POSITION OF POLE IN WIRING DIAGRAM.
- INDICATES PROPOSED GROUND AT LIGHT POLE AND CONTROL INSTALLATION.
- ⊥** INDICATES CONTINUOUS GROUND FROM CONTROL INSTALLATION.
- 250W PROPOSED LUMINAIRE

REVISIONS
 DRAWN 7-27-89
 REVISED 4-14-89
 REVISED 5-8-88
 STD. 9-59

SERVICE INSTALLATION DETAILS



SERVICE INSTALLATION (SPECIAL) WITH PHOTOCELL RELAY



SERVICE INSTALLATION (SPECIAL)

NOTE:

MATERIAL AND SIZE OF CONDUIT AND CABLE AS REQUIRED BY UTILITY COMPANY

REVISIONS
 DRAWN 1-31-83
 REVISED 2-24-87
 REVISED 5-7-88
 STD. 9-68