

PROPOSED URBAN SIDEROAD TYPICAL SECTION

CHOISSER ST. STA. 10+24.06 TO 10+68.78 LT. & STA. 10+43.78 TO 10+68.79 RT.
 FOURTH ST. (SOUTH) STA. 10+48.90 TO 11+23.30 LT. & STA. 10+16.29 TO 11+23.30 RT.
 JEFFERSON ST. STA. 10+23.61 TO 10+70.91 LT. & STA. 10+45.88 TO 10+70.91 RT.
 POPLAR ST. STA. 10+23.29 TO 10+72.85 LT. & STA. 10+47.80 TO 10+72.84 RT.
 ADAMS ST. STA. 10+23.60 TO 10+70.95 LT. & STA. 10+45.90 TO 10+70.95 RT.

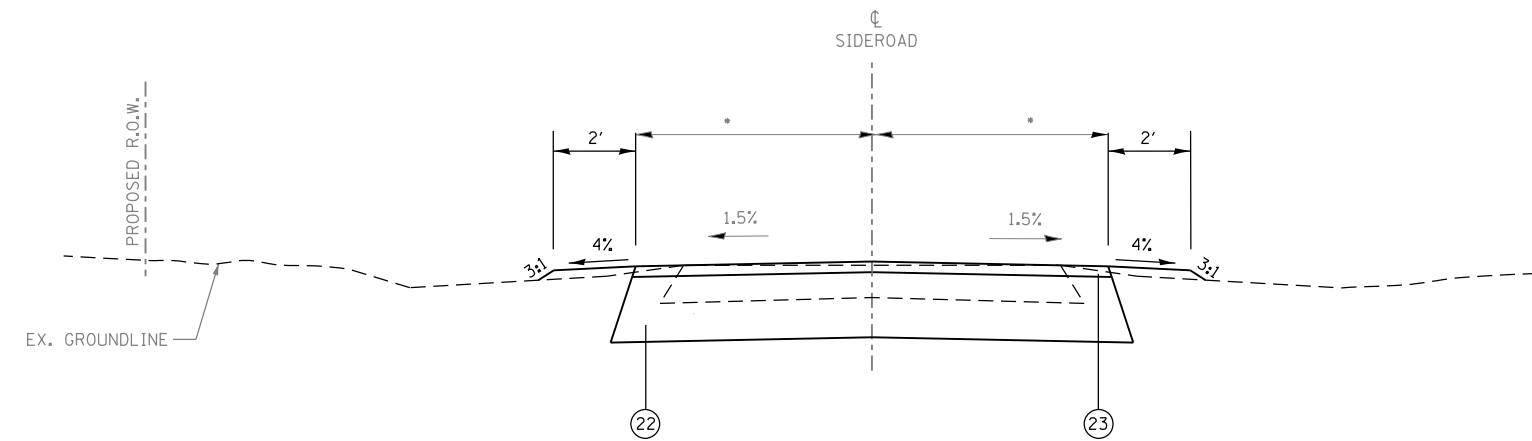
LEGEND

- ⑥ COMBINATION CONCRETE CURB & GUTTER, TYPE B-6.24
- ⑱ PCC PAVEMENT, 8"
- ⑲ SUB-BASE GRANULAR MATERIAL, 4"
- ⑳ AGGREGATE SHOULDERS, TYPE A 6"
- ㉑ SUB-BASE GRANULAR MATERIAL, TYPE A 6"
- ㉒ SUB-BASE GRANULAR MATERIAL, TYPE A 4"
- ㉓ HOT-MIX ASPHALT SURFACE COURSE, MIX C, N90, 2"

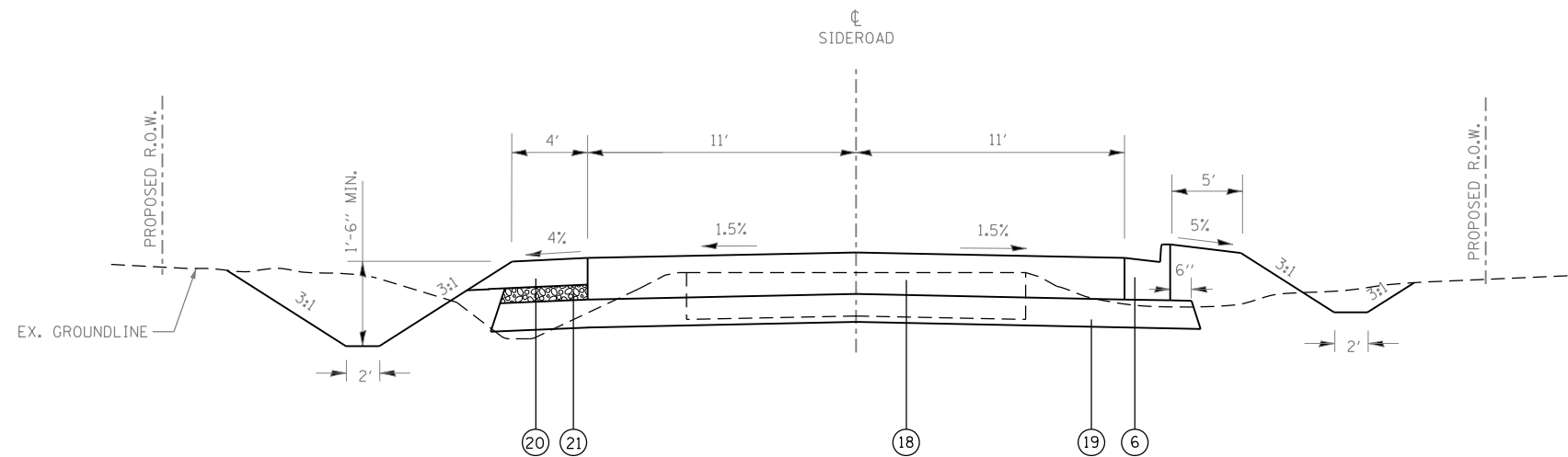
PAVEMENT LANE WIDTHS

PAVEMENT WIDTHS ARE AT THE END OF THE RADIUS RETURNS. MATCH EXISTING PAVEMENT SURFACE TYPE FROM END OF RADIUS RETURN TO CONSTRUCTION LIMITS. (SEE DISTRICT 9 STANDARD 9-84, URBAN SIDEROAD DETAILS)

- 10' - CHOISSER ST.
- 10' - JEFFERSON ST.
- 10' - POPLAR ST.
- 10' - ADAMS ST.
- 13' - FOURTH ST. (SOUTH)



TO BE USED:
 CHOISSER ST. STA. 10+68.79 TO STA. 10+84.45
 JEFFERSON ST. STA. 10+70.91 TO STA. 11+04.73
 POPLAR ST. STA. 10+72.85 TO STA. 11+17.27
 ADAMS ST. STA. 10+70.95 TO STA. 11+13.58



PROPOSED URBAN SIDEROAD TYPICAL SECTION

TO BE USED: DEWEY RD.

FILE NAME =	USER NAME = bemory	DESIGNED -	REVISED -	STATE OF ILLINOIS DEPARTMENT OF TRANSPORTATION	CONSTRUCTION STAGING PLAN STAGE 1B			F.A.P. RTE.	SECTION	COUNTY	TOTAL SHEETS	SHEET NO.
P:\Projects\2011 Projects\11297 - IDOT US 5 Ph2\CV\CADD Sheets\0978077-sht-Stage1B.dwg	DRAWN -	REVISED -	REVISED -					332	(29,30)R-1	SALINE	745	244
Default	PLOT SCALE = 200.0000' / in.	CHECKED -	REVISED -		CONTRACT NO. 78077							
	PLOT DATE = 4/30/2014	DATE -	REVISED -		SCALE: N.T.S.	SHEET	OF	SHEETS	STA.	TO	STA.	ILLINOIS FED. AID PROJECT