

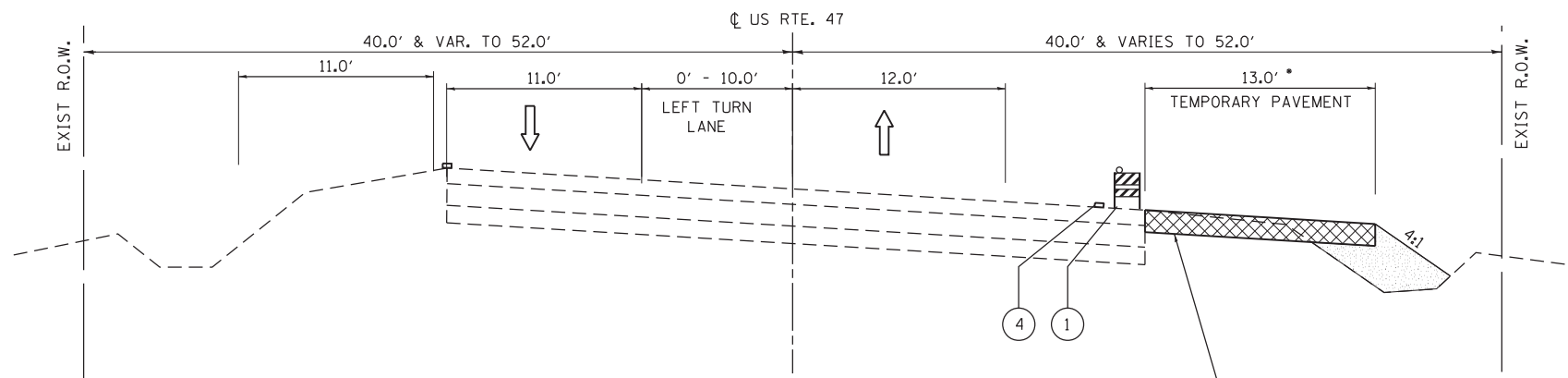
M.O.T. TYPICAL SECTION - STAGE 1
U.S. ROUTE 20 /IL ROUTE 47 /IL ROUTE 72

STA. 129+00 TO STA. 144+97.9
 (LOOKING NORTH)

- TEMPORARY PAVEMENT LOCATED BETWEEN STA. 134+68 TO 137+16 VARIES BETWEEN 0' TO 3.0'

TEMPORARY PAVEMENT, 10'
 SEE HOT-MIX ASPHALT CHART FOR MIXTURE REQUIREMENTS.

TEMPORARY PAVEMENT WIDTH AND LOCATIONS VARIES, SEE MAINTENANCE OF TRAFFIC PLANS FOR DETAILS



M.O.T. TYPICAL SECTION STAGE 1
IL ROUTE 47

STA. 144+97.9 TO STA. 154+46
 (LOOKING NORTH)

- TEMPORARY PAVEMENT LOCATED BETWEEN STA. 149+00 TO 156+00 VARIES BETWEEN 0' TO 13.0'

TEMPORARY PAVEMENT, 10'
 SEE HOT-MIX ASPHALT CHART FOR MIXTURE REQUIREMENTS.

TEMPORARY PAVEMENT WIDTH AND LOCATIONS VARIES, SEE MAINTENANCE OF TRAFFIC PLANS FOR DETAILS

LEGEND

- ① TYPE II BARRICADE OR DOUBLE VERTICAL PANEL WITH STEADY BURN BI-DIRECTIONAL LIGHT @ 25' C-C
- ② EXISTING 4" DOUBLE SOLID YELLOW (11" C-C)
- ③ TEMPORARY PAVEMENT MARKING - LINE 6" (WHITE)
- ④ TEMPORARY PAVEMENT MARKING - LINE 4" (WHITE)
- ⑤ TEMPORARY CONCRETE BARRIER

← DIRECTION OF TRAFFIC

▨ WORK ZONE

▩ TEMPORARY PAVEMENT

NOTES

- PRIOR TO INSTALLING POST MOUNTED SIGNS, THE CONTRACTOR SHALL CONTACT J.U.L.I.E.
- SEE STAGING PLAN AND STANDARD 701422 FOR ADDITIONAL INFORMATION.

FILE NAME =	USER NAME = chr1sf1sh	DESIGNED - MTM	REVISED -	STATE OF ILLINOIS DEPARTMENT OF TRANSPORTATION	SUGGESTED MAINTENANCE OF TRAFFIC STAGE 1 TYPICAL SECTION - NORTH JUNCTION	F.A.P. RTE.	SECTION	COUNTY	TOTAL SHEETS	SHEET NO.	
Default	PLOT SCALE = 10.0000' / in.	DRAWN - MTM	REVISED -			345	106-S-N-1	KANE	167	35	
	PLOT DATE = 4/1/2014	CHECKED - BA	REVISED -			CONTRACT NO. 60T10					
		DATE - 3/31/14	REVISED -			SCALE: N.T.S.	SHEET 2	OF 6 SHEETS	STA.	TO STA.	ILLINOIS FED. AID PROJECT