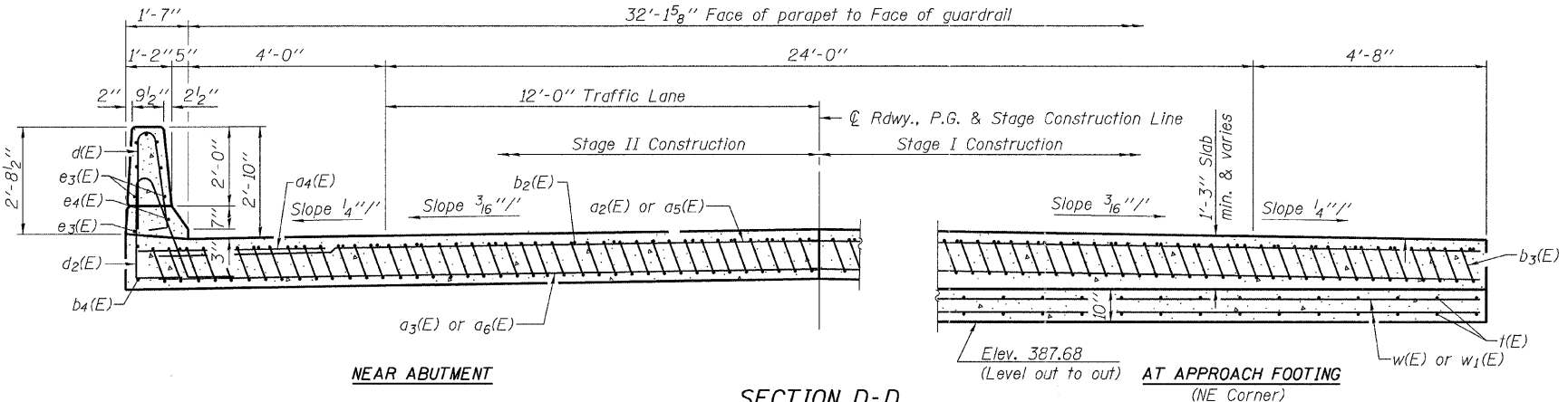
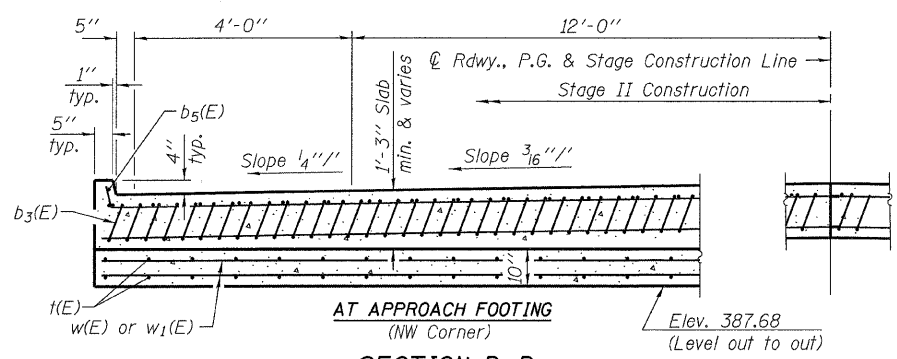


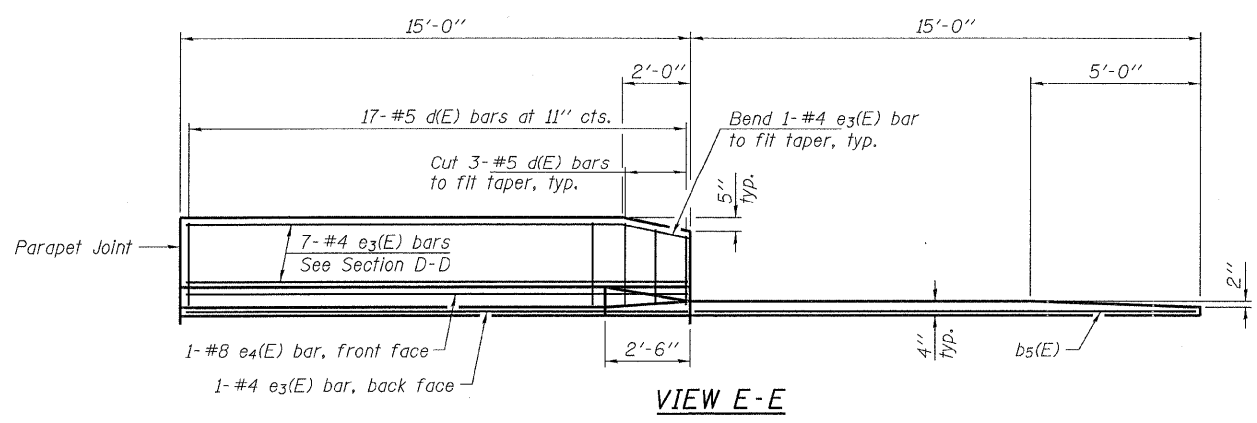
SECTION C-C



SECTION D-D

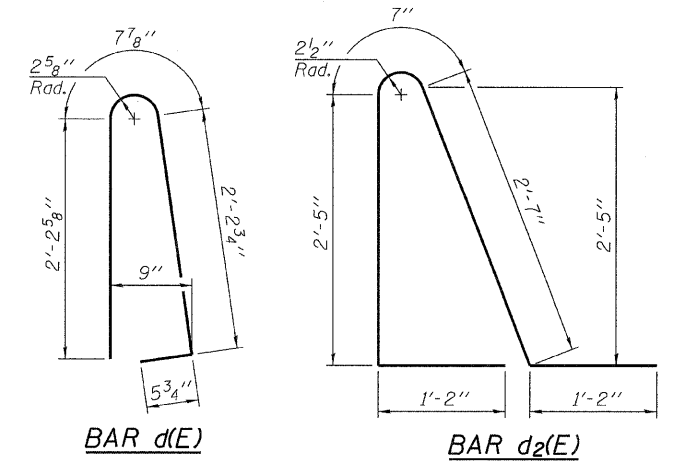


SECTION D-D



VIEW E-E

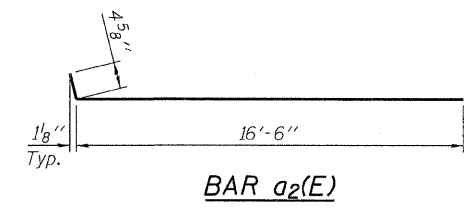
Notes:
 See sheet 14 of 22 for Detail A and View B-B.
 Approach slab and parapet concrete shall be paid for as Concrete Superstructure.
 Approach footing concrete shall be paid for as Concrete Structures.
 Reinforcement shall be paid for as Reinforcement Bars, Epoxy Coated.
 For v(E) bar details, see sheet 11 of 22.
 The approach footing maximum applied service bearing pressure (Qmax) = 2.0 ksf.
 For bar splicer details, see sheet 19 of 22.
 Cost of excavation for approach footing included with Concrete Structures.
 For Porous Granular Embankment (Special) and drainage treatment details, see sheet 2 of 22.
 For additional parapet details, see sheet 10 of 22.



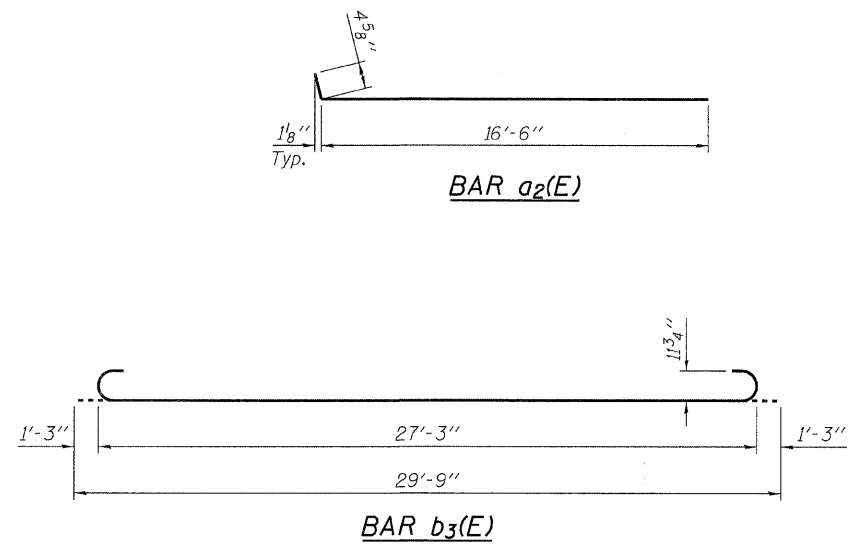
* Tilt #9 b3(E) bars as required to maintain clearance.
 *** Cost included with Concrete Superstructure.

**NORTH APPROACH
 BILL OF MATERIAL**

Bar	No.	Size	Length	Shape
a2(E)	25	#4	16'-11"	—
a3(E)	46	#5	16'-7"	—
a4(E)	12	#6	6'-6"	—
a5(E)	25	#4	16'-4"	—
a6(E)	46	#5	16'-4"	—
b2(E)	28	#4	29'-8"	—
b3(E)	80	#9	29'-9"	—
b4(E)	1	#4	14'-8"	—
b5(E)	1	#4	14'-8"	—
d(E)	17	#5	5'-7"	⤴
d2(E)	17	#5	7'-11"	⤴
e3(E)	8	#4	14'-8"	—
e4(E)	1	#8	14'-8"	—
t(E)	72	#4	9'-8"	—
w(E)	40	#5	16'-7"	—
w1(E)	40	#5	16'-4"	—
Concrete Superstructure		Cu. Yd.	50.4	
Concrete Structures		Cu. Yd.	10.4	
Reinforcement Bars, Epoxy Coated		Pound	13,110	
Bar Splicers		Each	111	



BAR a2(E)



BAR b3(E)

(Sheet 2 of 2)