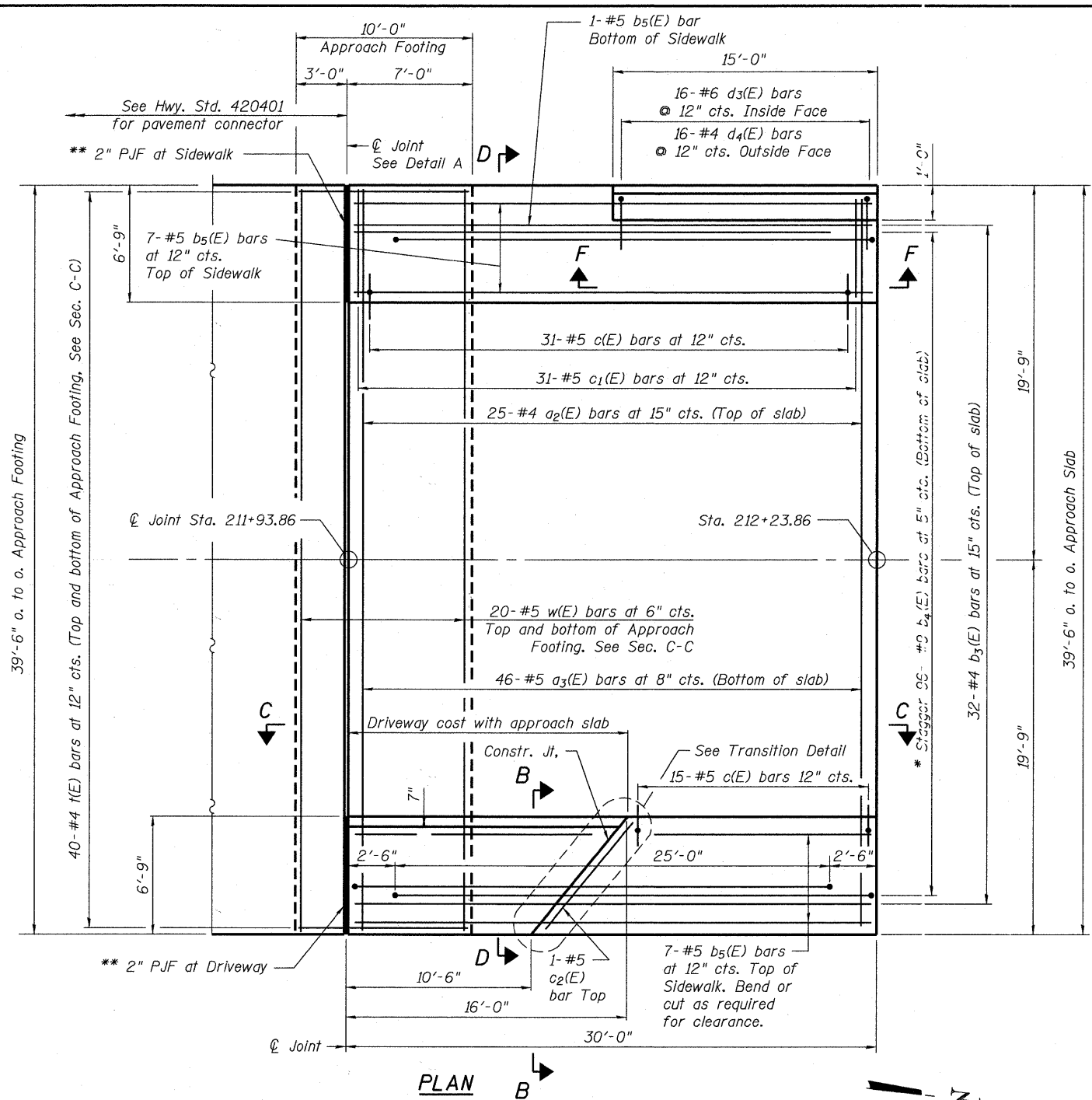
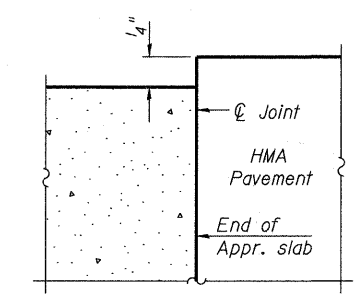
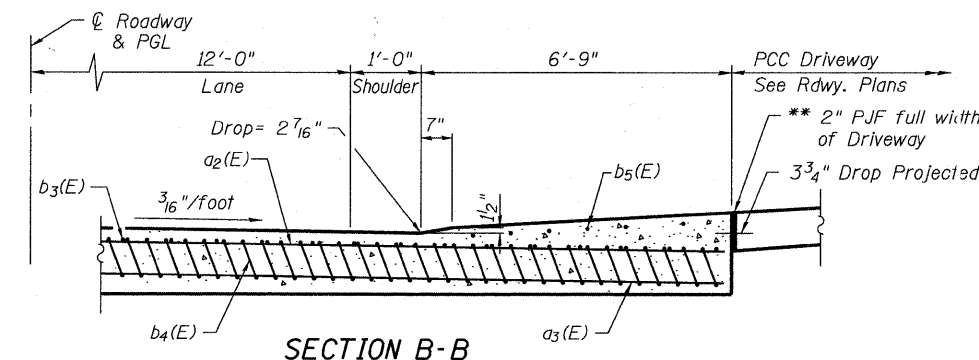


Notes:
 See sheet 12 of 28 for additional details.
 ** 2" Preformed Joint Filler. Polyurethane Bonded Recycled Rubber conforming with the requirements of AASHTO M 153, Type IV. Cost included with Concrete Superstructure.

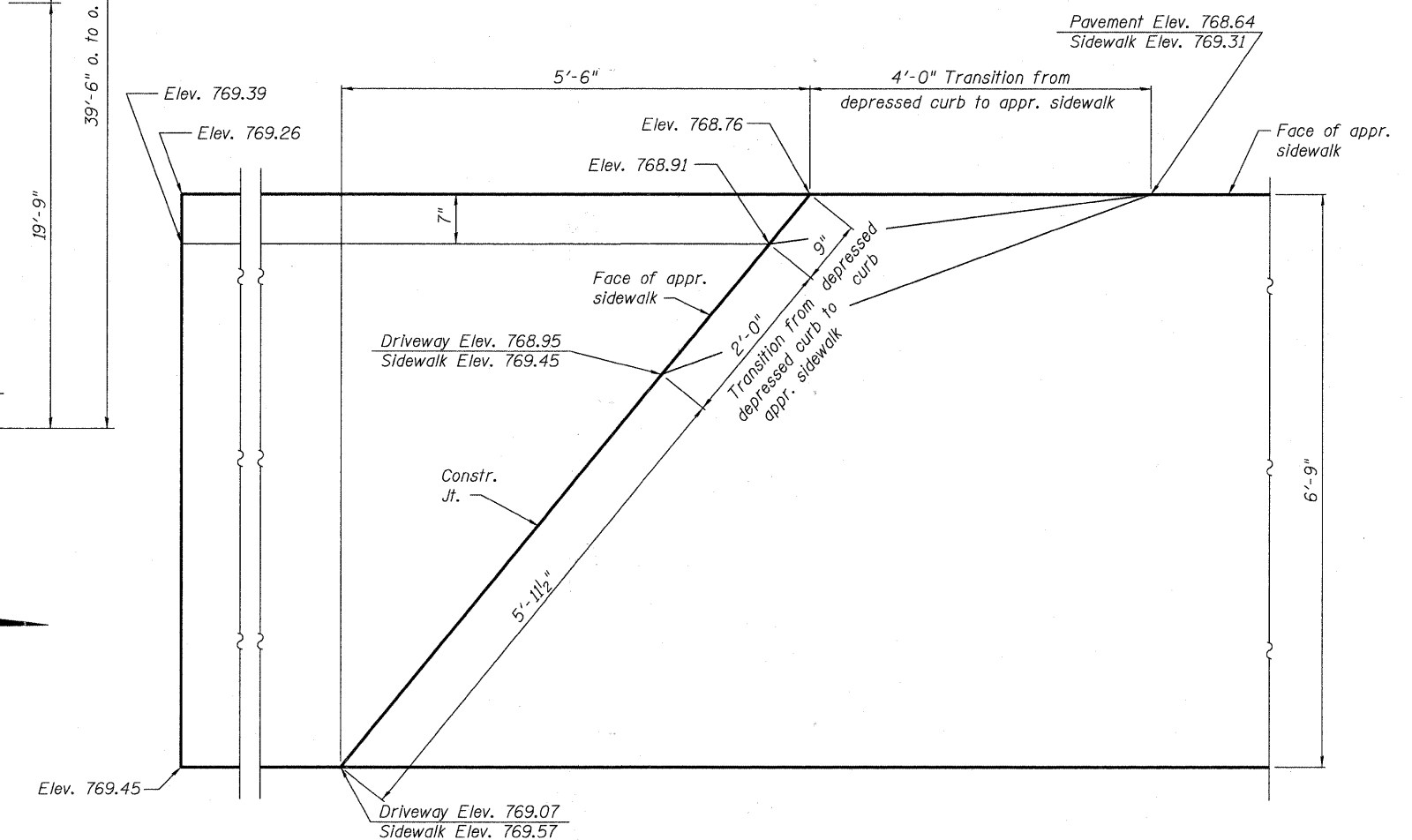
Attach all layers of PJF with adhesive, fasteners not allowed. Adhesive shall be supplied and/or approved by the PJF manufacturer. Face of PJF shall be true and flat, depressions or gaps shall be filled flush with face of PJF with an approved patching material.



* Tilt #9 b4(E) bars as required to maintain clearance.



FLEXIBLE PAVEMENT
 DETAIL A



TRANSITION DETAIL

(Sheet 1 of 3)

FILE NAME = M:\755-010_Blivin Phase II\CADD_Sheets\Structure\1755-010_S-S_APPR_PAV_DETAILS.dgn

B Bollinger, Lach & Associates, Inc.
 ITASCA, ILLINOIS

| | | |
|-----------------------|----------------|-----------|
| USER NAME = gonzo | DESIGNED - SRT | REVISED - |
| PLOT SCALE = | CHECKED - JJI | REVISED - |
| PLOT DATE = 3/25/2011 | DRAWN - GM | REVISED - |
| | CHECKED - JJI | REVISED - |

McHENRY COUNTY
 DIVISION OF TRANSPORTATION
BLIVIN STREET OVER NIPPERSINK CREEK

SOUTH BRIDGE APPROACH SLAB DETAILS
 STRUCTURE NO. 056-3191

SCALE: SHEET NO. 10 OF 28 SHEETS STA. TO STA.

| F.A. RTE. | SECTION | COUNTY | TOTAL SHEETS | SHEET NO. |
|---------------------------|----------------|---------|--------------|-----------|
| | 08-00355-00-BR | MCHEMRY | 69 | 35 |
| CONTRACT NO. 63583 | | | | |
| ILLINOIS FED. AID PROJECT | | | | |