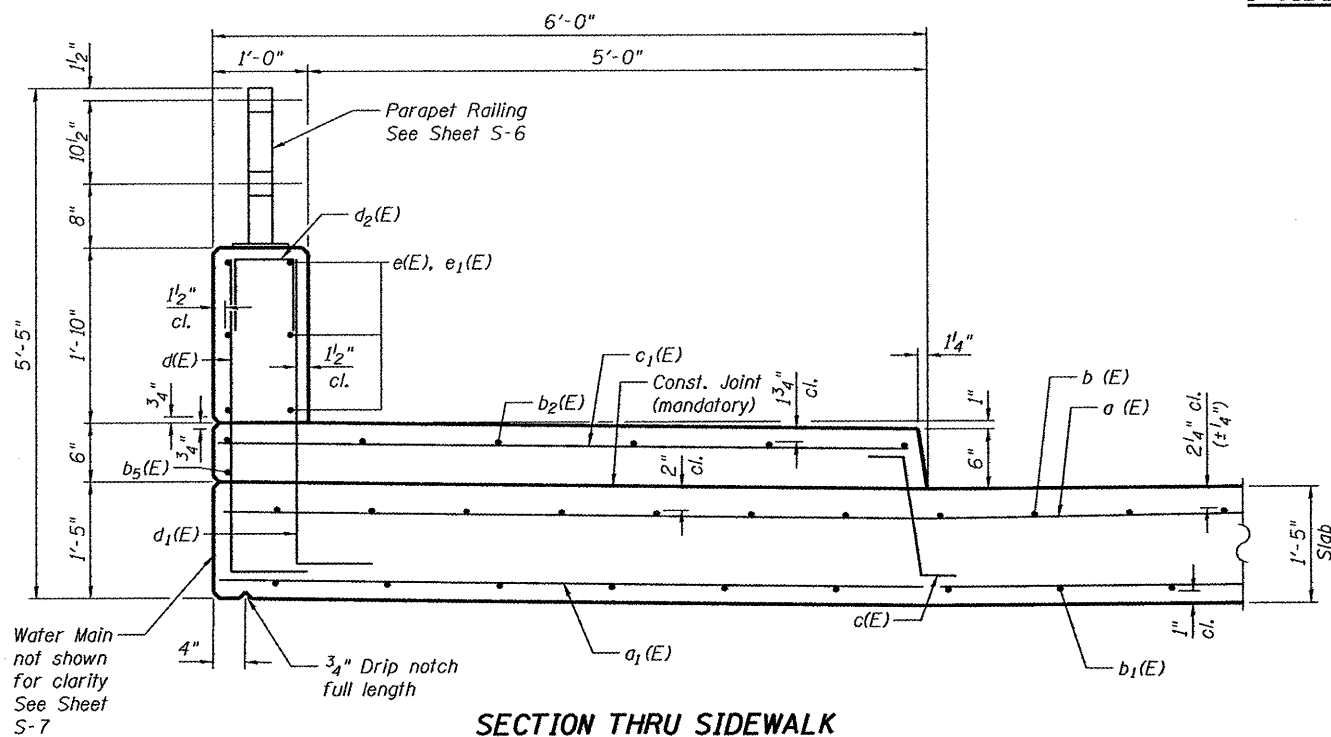
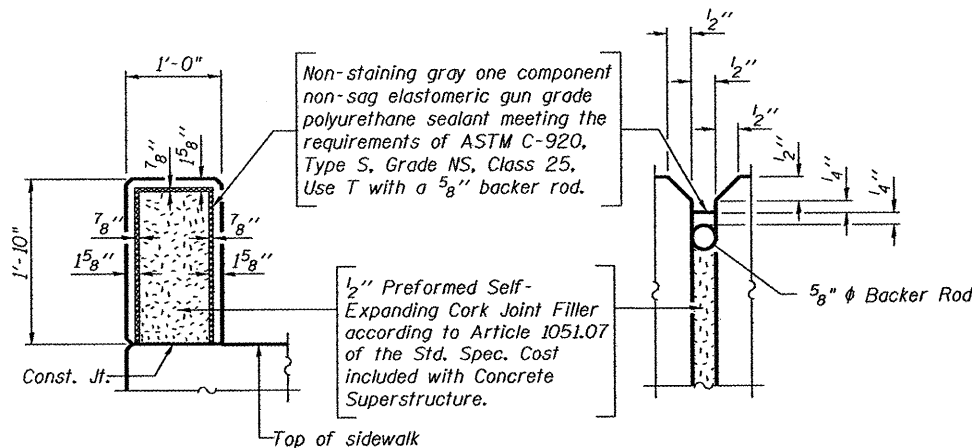


INSIDE PARAPET ELEVATION



SECTION THRU SIDEWALK



PARAPET JOINT DETAILS

MINIMUM BAR LAP

#5 bars = 2'-10"

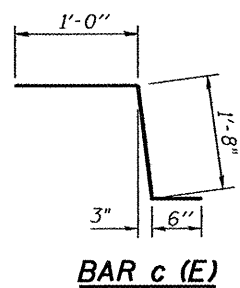
**SUPERSTRUCTURE
BILL OF MATERIAL**

Bar	No.	Size	Length	Shape
a (E)	29	#5	30'- 8"	—
da(E)	84	#6	30'- 8"	—
de(E)	24	#5	31'- 1"	—
b (E)	29	#5	30'- 6"	—
db(E)	85	#9	33'- 0"	—
de(E)	14	#5	30'- 6"	—
c (E)	64	#5	3'- 2"	—
ca(E)	64	#5	5'- 8"	—
d (E)	62	#4	4'- 2"	—
da(E)	62	#6	4'- 6"	—
de(E)	16	#4	2'- 2"	—
e (E)	24	#4	9'- 2"	—
ea(E)	12	#4	10'- 8"	—
s(E)	86	#5	5'- 8"	—
sa(E)	86	#5	3'- 6"	—
u(E)	8	#4	3'- 2"	—
v(E)	244	#5	2'- 9"	—
Concrete Superstructure		Cu. Yd.		83.7
Reinforcement Bars, Epoxy Coated		Pound		19,460
Bridge Deck Grooving		Sq. Yd.		98
Protective Coat		Sq. Yd.		162

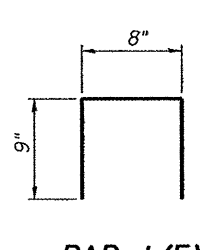
Bars indicated thus 1 x 3-#5 etc. indicates 1 line of bars with 3 lengths per line.

See Sheet S-2 for u(E) bars

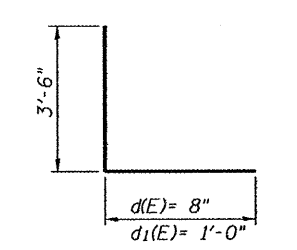
See Sheet S-4 and S-8 for v(E) bars



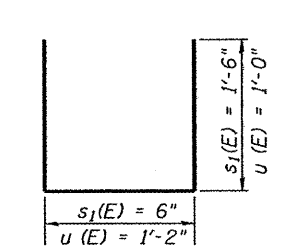
BAR c (E)



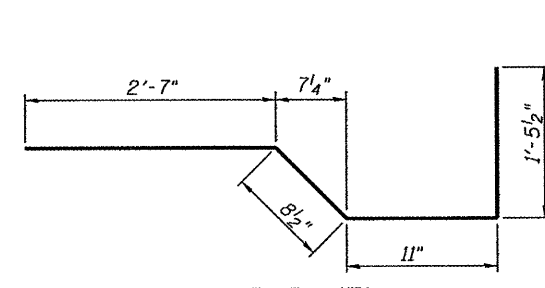
BAR d2(E)



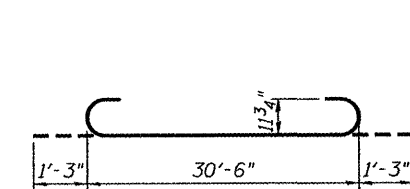
BARS d(E) and d1(E)



BAR s1(E) & u(E)



BAR s(E)



BAR b1(E)

HRGREEN
COMPANY NAME:
PROJECT CONTACT: Kevin M. Arff
DATE PLOTTED: 3/23/2012 10:57 AM
FILE NAME: 0610077-Super
PLOT DRIVER: pefsoft
PEN TABLE: standard-trans.tbl

HRGreen.com
1104-001322

USER NAME = whood	DESIGNED - KMA	REVISED -
PLOT SCALE =	CHECKED - WJH	REVISED -
PLOT DATE = 3/23/2012	DRAWN - RGD	REVISED -
	CHECKED - 3/26/12	REVISED -

CITY OF ROCKFORD

PIERCE AVENUE OVER NORTHWEST DRAINAGEWAY
SUPERSTRUCTURE DETAILS

SHEET NO. S-5 OF S-8 SHEETS

F.A. RTE.	SECTION	COUNTY	TOTAL SHEETS	SHEET NO.
5033	11-00581-00-BR	WINNEBAGO	17	12
CONTRACT NO.				
ILLINOIS FED. AID PROJECT				