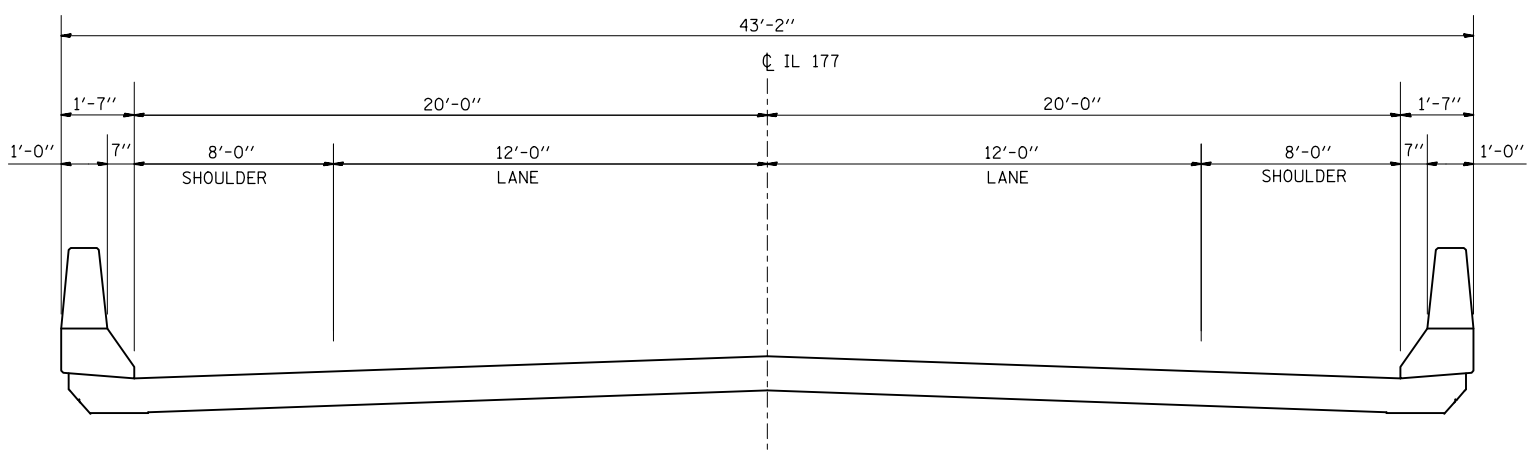


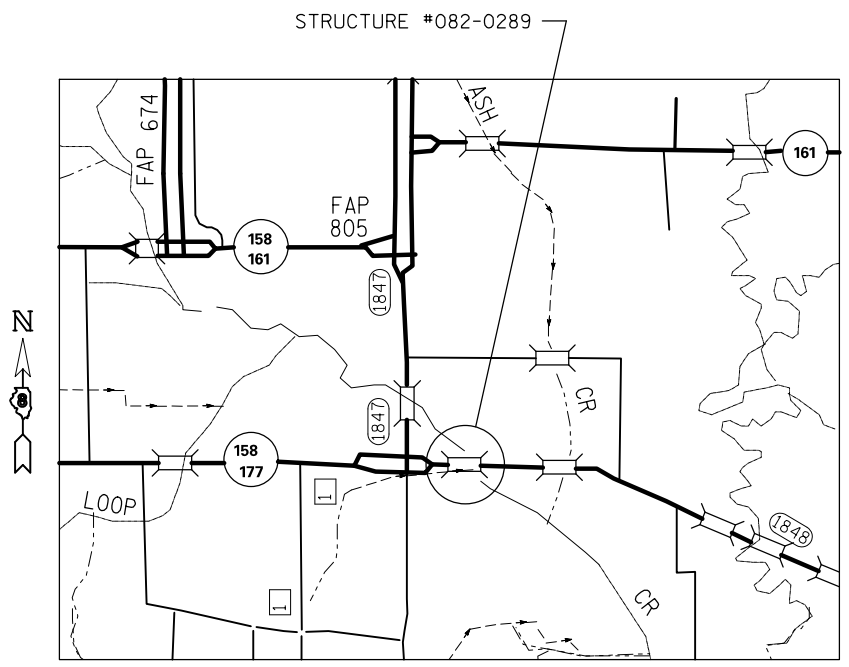
PLAN VIEW

TOTAL BILL OF MATERIALS

ITEM	UNIT	TOTAL
CONCRETE SEALER	SQ FT	10,354



TYPICAL SECTION



LOCATION MAP